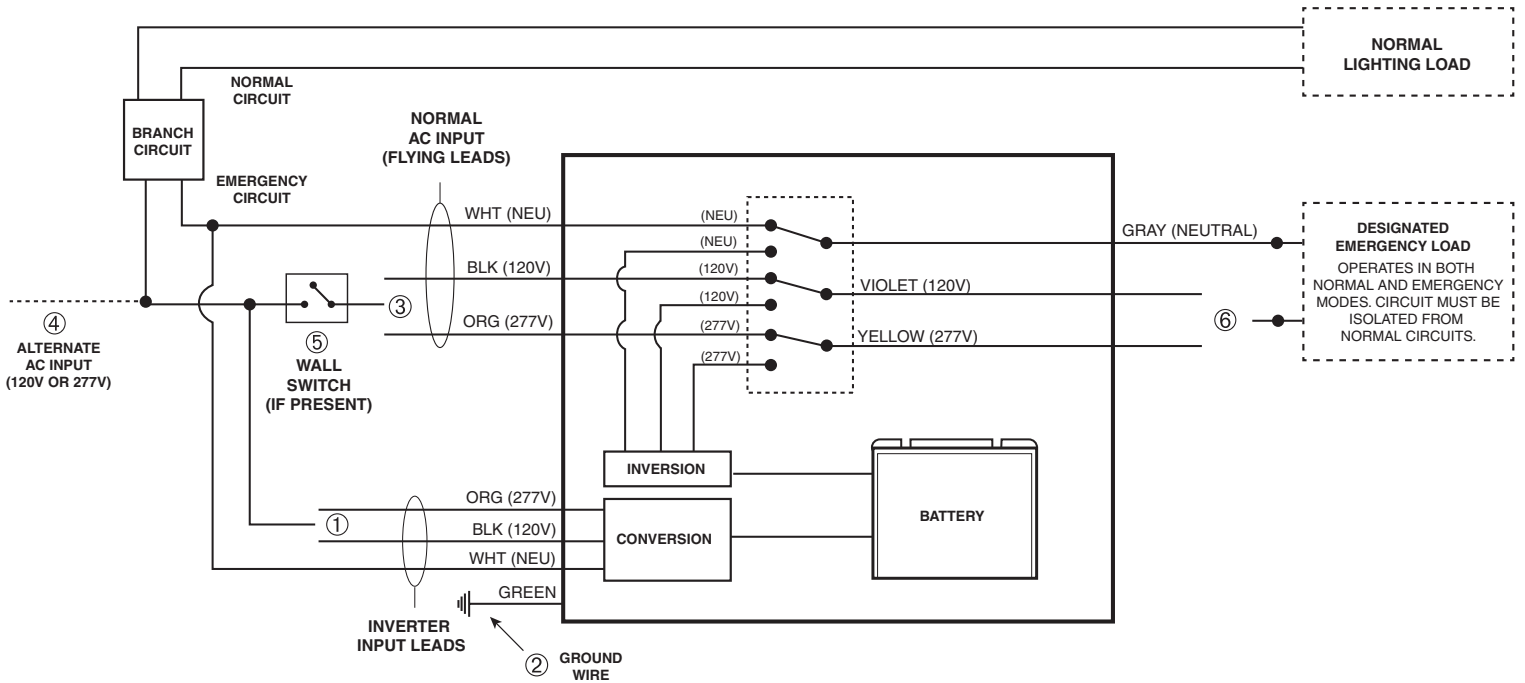


INVERTER - INTERRUPTIBLE



- ① AC INPUT FOR THE INVERTER - MUST BE UNSWITCHED. SELECT PROPER VOLTAGE LEAD AND CAP UNUSED LEAD.
- ② GROUND WIRE - CONNECT FIXTURE SUPPLY GROUND AND UNIT GROUND IN ACCORDANCE WITH LOCAL AND NATIONAL CODES.
- ③ FLYING LEADS ARE FOR THE NORMAL AC INPUT (SWITCHED OR UNSWITCHED) - SELECT PROPER VOLTAGE LEAD AND CAP UNUSED LEAD.
- ④ IF USING A SECONDARY AC INPUT, SELECT PROPER VOLTAGE LEAD AND CAP UNUSED LEAD.
- ⑤ USE A 277V RATED SWITCH IF CONNECTING TO 277V INPUT.
- ⑥ SELECT PROPER VOLTAGE LEAD AND CAP UNUSED LEAD.

IIS_125_New.EPS

NOTES