



H6-GU24

The H6-GU24 is rated for 12 watts and ONLY designed to be used with CREE products:

• LR6-GU24	• LR6-DR650	• LR6-DR1000	• LR6-GU24
• LR6C-GU24	• LR6C-DR650	• LR6C-DR1000	

H6-GU24 is designed for both Insulated (completely buried in insulation) and Non-insulated applications.

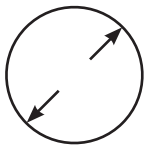
Designed for use with a 120 volt, 60 hertz protected circuit (fuse box, circuit breakers) and 90° C rated supply wire.

IMPORTANT SAFETY INFORMATION

Read All Instructions Before Installation

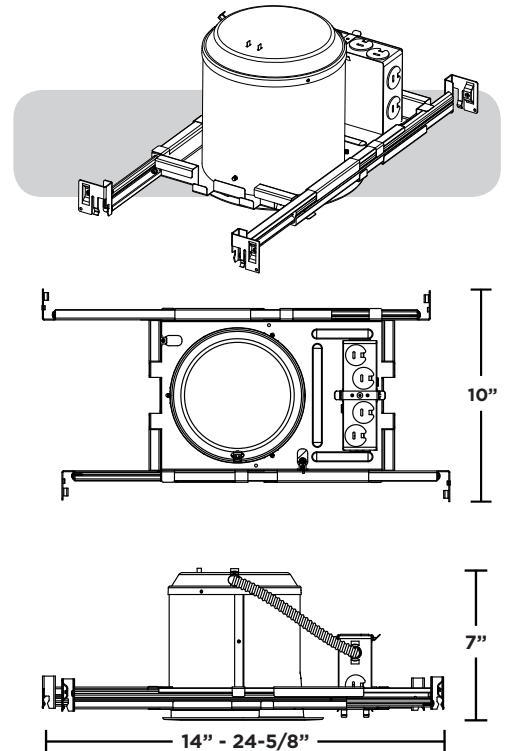
- 1. WARNING** - Risk of Electric Shock. Disconnect power at fuse or circuit breaker before installing or servicing.
- Check to make sure that all fixture connections have been properly made and the fixture is grounded to avoid potential electrical shocks.
- Do not handle energized fixture with wet hands, when standing on wet or damp surfaces, or in water.

Recommended Ceiling Hole

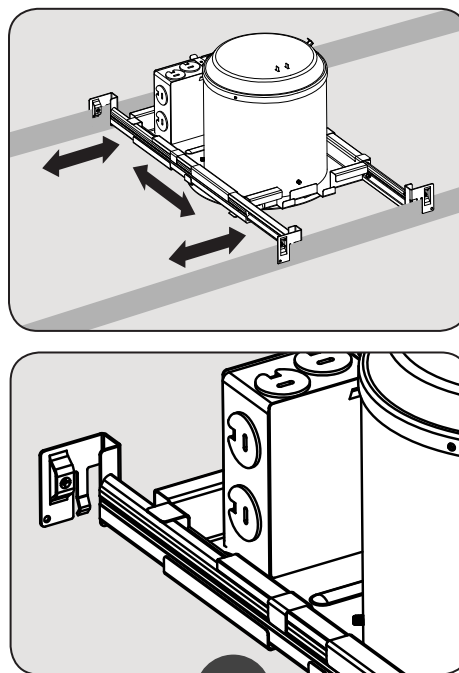
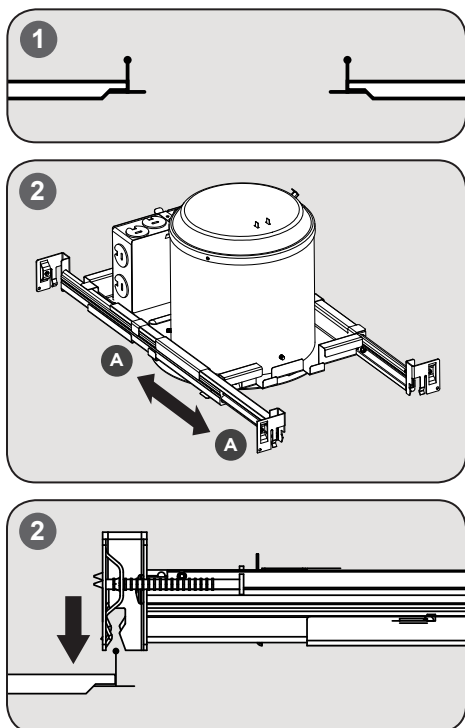


154 mm / 6.062"

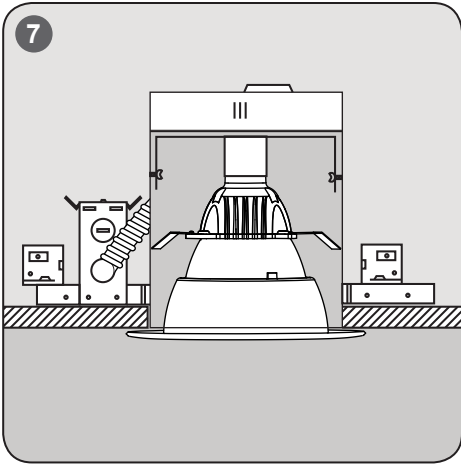
INSTALLATION INSTRUCTIONS



INSTALLING ROUGH-IN (Suspended Ceiling):



- STEP 1:**
Locate two 24" T-bar hangers with the slots standing up.
- STEP 2:**
Pull rails to desired length [b]. The range of the rails are 14" to 24-5/8".
- STEP 3:**
Hang the first side of the H6 rail brackets over the T-bar hangers. Pull the opposite side of the attached rails out to reach the other side of the opening that you are mounting the fixture within. Hang rail brackets over the opposite T-bar hangers.
- STEP 4:**
Slide pan assembly back and forth along rails until the can position is located properly.
- STEP 5:**
Rails can also be moved to short side of pan for additional adjustments.
- STEP 6:**
Tighten rail brakes to lock assembly in the desired position if desired.

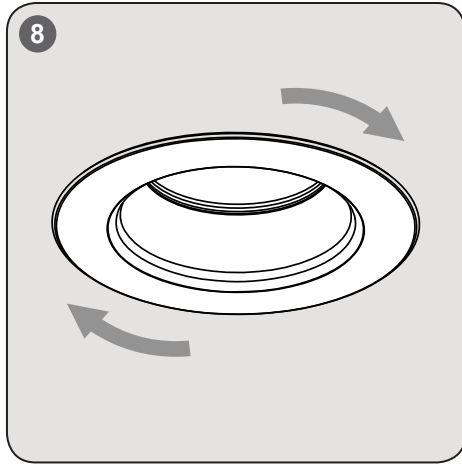


STEP 5:

If the existing socket is a GU24-style socket, or if you are converting the existing socket from an Edison-style socket to a GU24-style socket, proceed to Step A under "CR6-GU24 Installation" below.

STEP 6:

Attach CR6 to recessed housing socket. Screw CR6 into the socket by turning clockwise.



STEP 7:

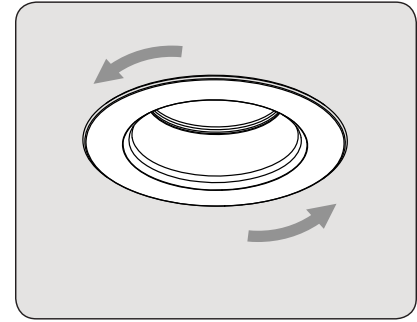
Slide CR6 with clips, in ready position, up into the recessed housing until trim ring is flush with ceiling.

STEP 8:

Rotate CR6 Fixture 1/4 turn clockwise to lock clips into position. Your CR6 fixture should now be securely installed into the ceiling. Turn power on and enjoy.

REMOVAL OF CR6/CR6-GU24

NOTE: Make sure power to fixture is removed before attempting to disconnect CR6 module from fixture.



STEP 1:

To remove CR6 module, grip firmly on the trim ring and rotate 1/4 turn counterclockwise to unlock clips from recessed can.

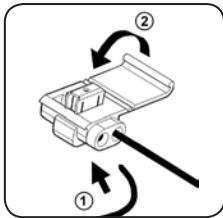
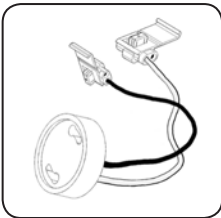
STEP 2:

Continue to turn counterclockwise as you pull downward on the CR6. This will disengage the clips allowing the CR6 to pull free.

STEP 3:

Detach CR6 from recessed housing socket.

CR6-GU24 INSTALLATION



GU-24 Socket Whip (Provided with CR6-GU24 Units Only)

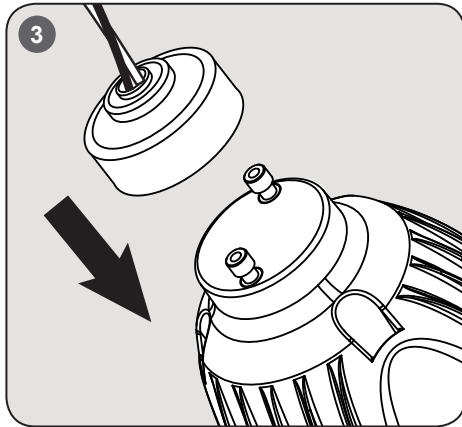
STEP A: Follow steps 1-4b of "CR6 Installation" shown on page 1.

STEP B: If the recessed housing is provided with a GU24-style socket, Skip to Step F.

STEP C: Insert the input wires into the Insulation Displacement Connectors provided on the GU-24 Socket whip and clamp down on the metal u-connector until flush with the top of the plastic insulator.

STEP D: Close plastic hinged cover and snap lock.

STEP E: Place "Original Luminaire Modification Marking" label inside recessed housing adjacent to existing relamp label.



STEP F: Attach GU24 socket to the CR6 by inserting pins into the socket and twisting socket clockwise until locked.

STEP G: Continue to Step 7 shown above.

NOTE: This device is not intended for use with emergency exit fixtures or emergency exit lights.

U.S. Patent # 7,213,940
U.S. & Foreign Patents Pending
Made in China



CREE® TRUEWHITE® TECHNOLOGY FIXTURE ACCESSORY LIMITED CONSUMER WARRANTY

LPN000031 Rev.D

www.CreeLEDLighting.com

The limited warranty set forth below is given by the Cree company listed below ("Seller") with respect to the lighting product packaged with this limited warranty (the "Product"). Your Product, when delivered to you in new condition in its original packaging, is warranted against defects in materials or workmanship as follows: for a period of ONE (1) YEAR from the date of original purchase, defective parts or a defective Product returned with the sales receipt as proof of purchase to Seller, or its authorized service providers, as applicable, and proven to be defective upon inspection, will be repaired, or exchanged for a new Product, as determined by Seller, or the authorized service provider. This limited warranty covers all defects encountered in normal use of the Product, and does not apply in the following cases: Loss of or damage to the Product due to acts of God; fire; vandalism; civil disturbances; power surges; improper power supply; electrical current fluctuations; corrosive environment installations; induced vibration; harmonic oscillation or resonance associated with movement of air currents around the product; abuse; alteration; accident; mishandling; failure to follow operating, maintenance or environmental instructions prescribed by Seller in writing or services performed by someone other than Seller or its authorized service provider. WARRANTY IS VOID IF PRODUCT IS NOT USED FOR THE PURPOSE FOR WHICH THIS PRODUCT IS MANUFACTURED. Any complaints you may have regarding the Product should be addressed to Ruud Lighting, Inc., 9201 Washington Avenue, Racine, WI 53406. Seller shall have no liability under this warranty unless Seller is notified in writing within sixty (60) days after your discovery of the defect and the defective items are promptly returned to Seller, freight prepaid, and received by Seller. This warranty excludes field labor and service charges related to the repair or replacement of the product. NO IMPLIED WARRANTY, INCLUDING ANY IMPLIED WARRANTY OF MERCHANTABILITY OR FITNESS FOR A PARTICULAR PURPOSE, APPLIES TO THE PRODUCT AFTER THE APPLICABLE PERIOD OF THE EXPRESS LIMITED WARRANTY STATED ABOVE, AND NO OTHER EXPRESS WARRANTY OR GUARANTY GIVEN BY ANY PERSON OR ENTITY WITH RESPECT TO THE PRODUCT SHALL BIND SELLER. (SOME STATES AND PROVINCES DO NOT ALLOW LIMITATIONS ON HOW LONG AN IMPLIED WARRANTY LASTS, SO THE ABOVE LIMITATION MAY NOT APPLY TO YOU.)