



RC6-12W, RC6-12W-GU24

INSTALLATION INSTRUCTIONS

The RC6 is rated for 12 watts and **ONLY** for use with CREE products:

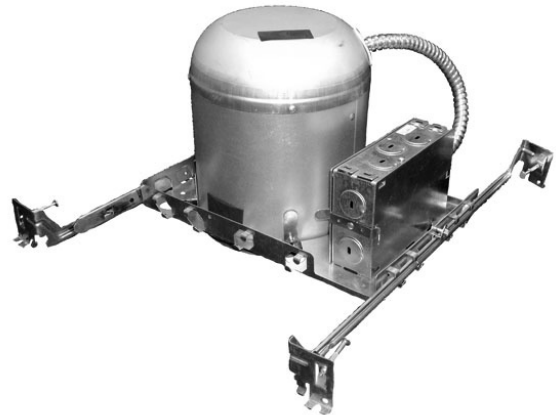
- LR6
- LR6C
- LR6-GU24 (RC6-12W-GU24 only)
- LR6C-GU24 (RC6-12W-GU24 only)

RC6 is designed for both Insulated (completely buried in insulation) and Non-insulated applications. Designed for use in 120 volt, 60 hertz protected circuit (fuse box, circuit breakers) and 90° C rated supply wire.

Important Safety Information

READ ALL INSTRUCTIONS BEFORE INSTALLATION

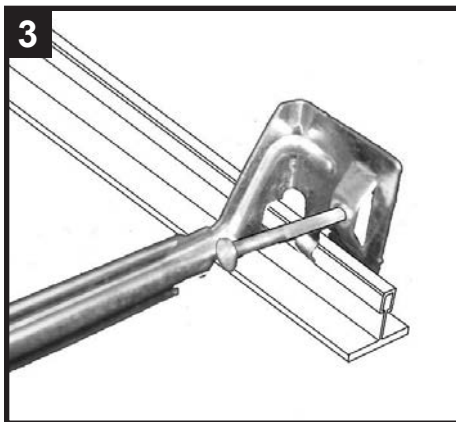
1. Before installing this fixture or doing any maintenance, make sure to turn off the power supply at the circuit breaker or fuse box .
2. Check to make sure that all fixture connections have been properly made and the fixture is grounded to avoid potential electrical shocks.
3. Do not handle energized fixture with wet hands, when standing on wet or damp surfaces, or in water.



Installing RC6 -Suspended Ceiling



1. Locate two 24" T-bar hangers with the slots standing up.
2. Pull rails to desired length. The range of the rails are 14" to 25".



3. Hang the first side of the RC6 rail brackets over the T-bar hangers. Pull the opposite side of the attached rails out to reach the other side of the opening that you are mounting the

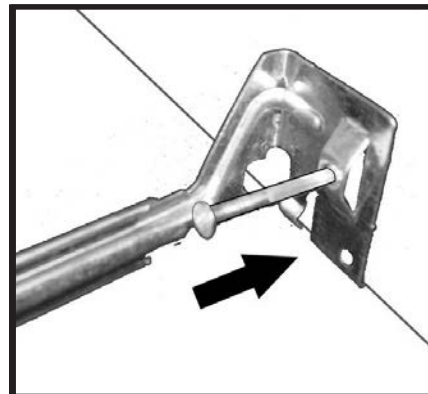
fixture within. Hang rail brackets over the opposite T-bar hangers.

4. Slide pan assembly back and forth along rails until the can position is located properly.

5. To secure the rails, tighten provided screw in the middle of each rail.

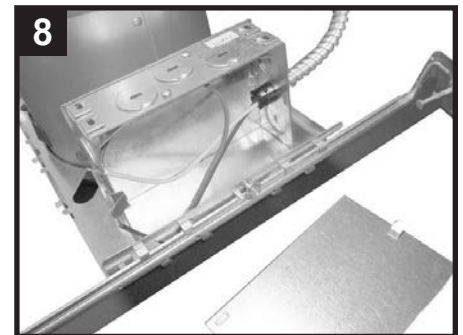
-Wooden Joists

6. Pull rails to desired length.
7. Position the end brackets securely against the joist in the desired location and use a hammer to drive the nail fully into the joist.



Wiring Rough-In

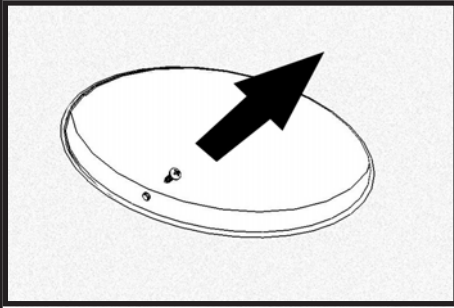
8. Remove snap junction box cover and appropriate knock-out with a flat blade screwdriver.
9. Bring supply wires into the j-box using shielded cable and connect securely through the open knock-out. Connect supply leads and ground wire to the appropriate fixture wires



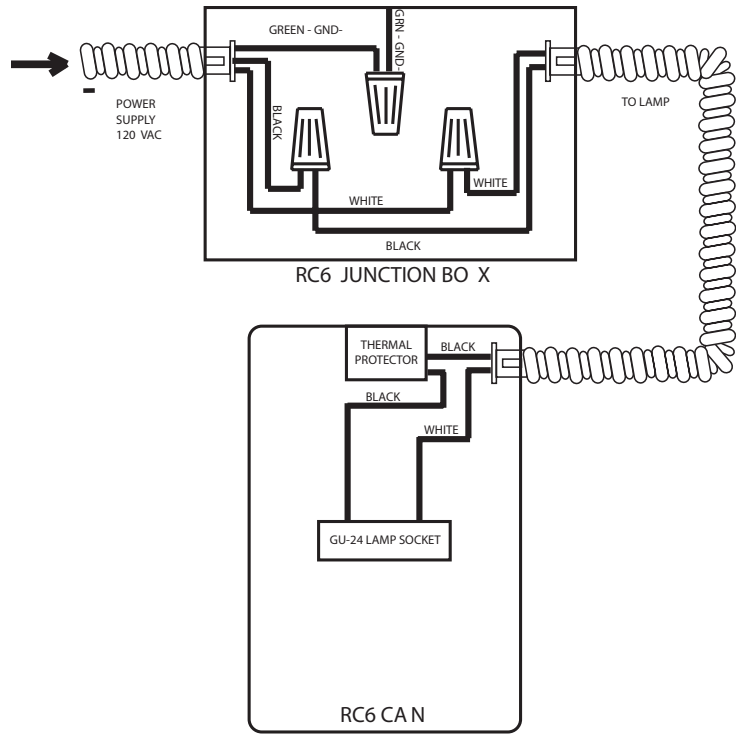
located within the j-box. See j-box wiring diagram on the backside for proper connections.

Note: This device is not intended for use with emergency exit fixtures or emergency lighting.

Post Installation J-Box Access



To access j-box after RC6 and ceiling installation, remove 4 screws at the base of the recessed can. Push can aside and access j-box. Replace can and screws when finished and before installation of the LR6 product.



WIRING DIAGRAM

U.S. Patent # 7,213,940; D571038
U.S. & Foreign Patents Pending
Made in China



LPN000014 Rev.D

www.CreeLEDLighting.com

CREE® TRUEWHITE® TECHNOLOGY FIXTURE ACCESSORY LIMITED CONSUMER WARRANTY

The limited warranty set forth below is given by the Cree company listed below ("Seller") with respect to the lighting product packaged with this limited warranty (the "Product"). Your Product, when delivered to you in new condition in its original packaging, is warranted against defects in materials or workmanship as follows: for a period of ONE (1) YEAR from the date of original purchase, defective parts or a defective Product returned with the sales receipt as proof of purchase to Seller, or its authorized service providers, as applicable, and proven to be defective upon inspection, will be repaired, or exchanged for a new Product, as determined by Seller, or the authorized service provider. This limited warranty covers all defects encountered in normal use of the Product, and does not apply in the following cases: Loss of or damage to the Product due to acts of God; fire; vandalism; civil disturbances; power surges; improper power supply; electrical current fluctuations; corrosive environment installations; induced vibration; harmonic oscillation or resonance associated with movement of air currents around the product; abuse; alteration; accident; mishandling; failure to follow operating, maintenance or environmental instructions prescribed by Seller in writing or services performed by someone other than Seller or its authorized service provider. WARRANTY IS VOID IF PRODUCT IS NOT USED FOR THE PURPOSE FOR WHICH THIS PRODUCT IS MANUFACTURED. Any complaints you may have regarding the Product should be addressed to Ruud Lighting, Inc., 9201 Washington Avenue, Racine, WI 53406. Seller shall have no liability under this warranty unless Seller is notified in writing within sixty (60) days after your discovery of the defect and the defective items are promptly returned to Seller, freight prepaid, and received by Seller. This warranty excludes field labor and service charges related to the repair or replacement of the product. NO IMPLIED WARRANTY, INCLUDING ANY IMPLIED WARRANTY OF MERCHANTABILITY OR FITNESS FOR A PARTICULAR PURPOSE, APPLIES TO THE PRODUCT AFTER THE APPLICABLE PERIOD OF THE EXPRESS LIMITED WARRANTY STATED ABOVE, AND NO OTHER EXPRESS WARRANTY OR GUARANTY GIVEN BY ANY PERSON OR ENTITY WITH RESPECT TO THE PRODUCT SHALL BIND SELLER. (SOME STATES AND PROVINCES DO NOT ALLOW LIMITATIONS ON HOW LONG AN IMPLIED WARRANTY LASTS, SO THE ABOVE LIMITATION MAY NOT APPLY TO YOU.)