



INSTALLATION INSTRUCTIONS

The SR6™ architectural LED downlight is for non-insulated ceiling applications.

⚠ CAUTION: Risk of Electric Shock

Suitable for Damp Locations. Access above ceiling required. Do not install insulation within 76 mm (3 in) of any part of the luminaire.

IMPORTANT SAFETY INFORMATION. Read all instructions before installation.

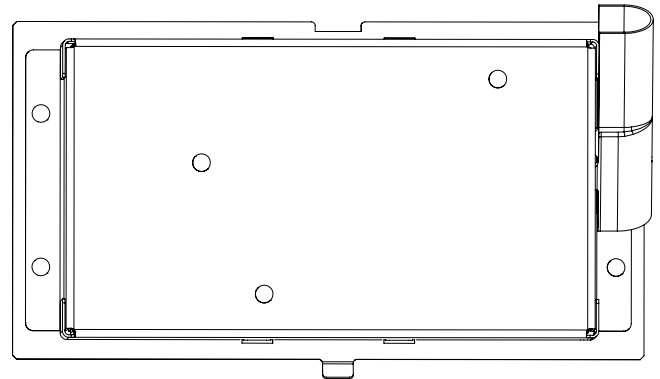
Before installing this fixture or doing any maintenance, make sure to turn off the power supply at the circuit breaker or fuse box.

Check to make sure that all fixture connections have been properly made and the fixture is grounded to avoid potential electrical shocks.

Do not handle energized fixture when hands are wet, when standing on wet or damp surfaces, or in water.

This fixture should be supported by main runners or other structure that is capable of supporting fixture weight of 10 lbs.

Install only in accordance with National Electrical Code and local regulatory agencies' requirements.



SR6P

TO INSTALL:

STEP 1:

Provide electrical service according to the "National Electrical Code" or your local electrical code to the junction box. Supply wire insulation must be rated for at least 90 C. The junction box is rated for a maximum of 8 No. 12 AWG Branch Circuit conductors and is also suitable for at least 90 C.

STEP 2:

Remove one of the junction box covers. Connect supply lead wires to lead wires of ballast per wiring diagram and in accordance with your local electrical code(s) or N.E.C.

STEP 3:

Remove appropriate knockout plates and connect conduit to junction box with proper connector (**not included**).

Step 4:

Connect supply lead wires to junction box lead wires (line, neutral and ground) in the fixture using properly sized wire nuts. Ensure not to leave any bare conductors outside of the wire nut connectors.

STEP 5:

Connect supply lead wires to lead wires of driver and insulation detector per wiring diagram.

STEP 5A:

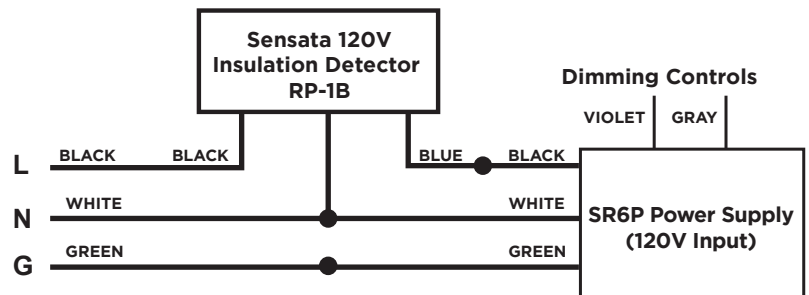
For 120V connections, connect wires per wiring diagram.

BLACK - RP-1B (Line)

WHITE - RP-1B (Neutral)

GREEN - Power Supply (GROUND)

RP-1B (**BLUE**) - Power Supply (**BLACK**)



STEP 6B:

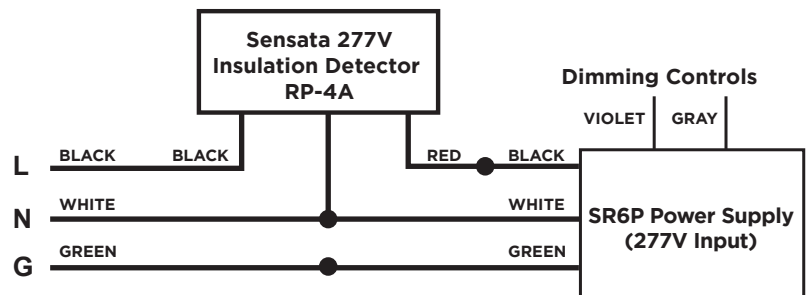
For 277V connections, connect wires per wiring diagram.

BLACK - RP-4A (Line)

WHITE - RP-4A (Neutral)

GREEN - Power Supply (Ground)

RP-4A (**RED**) - Power Supply (**BLACK**)

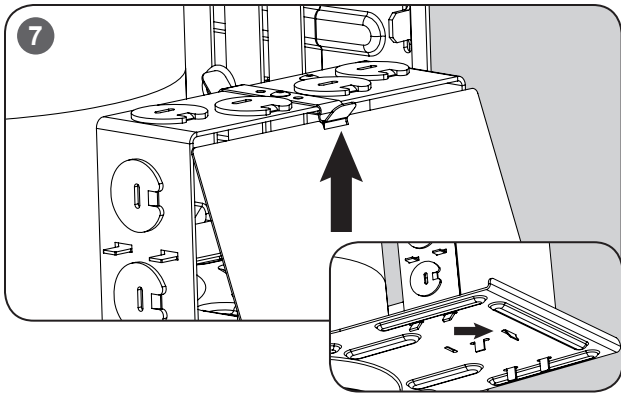


STEP 6C:

For dimming option connect wires per wiring diagram.

VIOLET - 0-10V Dimming Control +

GREY - 0-10V Dimming Control -

**STEP 7:**

Place all excess wiring and connections into the junction box and replace the cover. Align tab on the bottom of power supply with the mating hole below the junction box, ensure top tab of junction box is locked.

POWER SUPPLY REPLACEMENT:

NOTE: Make sure power to fixture is disconnected before attempting to remove SR6P.

STEP 1:

Remove reflector from the Light Engine, by turning clockwise and pulling the reflector down.

STEP 2:

Remove Light Engine by turning counterclockwise as you pull downward. This will disengage the clips allowing the Light Engine to pull free.

STEP 3:

Remove Collar by turning counterclockwise and pull downward.

STEP 4:

Remove the junction box cover. Disconnect the wiring to the driver by undoing the wire nuts.

STEP 5:

Remove power supply by pushing top tab and slide power supply out of mating hole.

STEP 6:

Install the new power supply according to wiring diagrams (opposite page). Reattach junction box cover.



U.S Patent no. 7,213,940
U.S and Foreign Patents Pending
Designed and Produced in USA

LPN000122_A

CREE® TRUEWHITE® TECHNOLOGY FIXTURE LIMITED CONSUMER WARRANTY

The limited warranty set forth below is given by the Cree company listed below ("Seller") with respect to the lighting product packaged with this limited warranty (the "Product"). Your Product, when delivered to you in new condition in its original packaging, is warranted against defects in materials or workmanship as follows: for a period of FIVE (5) YEARS from the date of original purchase, defective parts or a defective Product returned with the sales receipt as proof of purchase to Seller, or its authorized service providers, as applicable, and proven to be defective upon inspection, will be repaired, or exchanged for a new Product, as determined by Seller, or the authorized service provider. This limited warranty covers all defects encountered in normal use of the Product, and does not apply in the following cases: Loss of or damage to the Product due to acts of God; fire; vandalism; civil disturbances; power surges; improper power supply; electrical current fluctuations; corrosive environment installations; induced vibration; harmonic oscillation or resonance associated with movement of air currents around the product; abuse; alteration; accident; mishandling; failure to follow operating, maintenance or environmental instructions prescribed by Seller in writing or services performed by someone other than Seller or its authorized service provider. WARRANTY IS VOID IF PRODUCT IS NOT USED FOR THE PURPOSE FOR WHICH THIS PRODUCT IS MANUFACTURED. Any complaints you may have regarding the Product should be addressed to Ruud Lighting, Inc., 9201 Washington Avenue, Racine, WI 53406. Seller shall have no liability under this warranty unless Seller is notified in writing within sixty (60) days after your discovery of the defect and the defective items are promptly returned to Seller, freight prepaid, and received by Seller. This warranty excludes field labor and service charges related to the repair or replacement of the product. NO IMPLIED WARRANTY, INCLUDING ANY IMPLIED WARRANTY OF MERCHANTABILITY OR FITNESS FOR A PARTICULAR PURPOSE, APPLIES TO THE PRODUCT AFTER THE APPLICABLE PERIOD OF THE EXPRESS LIMITED WARRANTY STATED ABOVE, AND NO OTHER EXPRESS WARRANTY OR GUARANTY GIVEN BY ANY PERSON OR ENTITY WITH RESPECT TO THE PRODUCT SHALL BIND SELLER. (SOME STATES AND PROVINCES DO NOT ALLOW LIMITATIONS ON HOW LONG AN IMPLIED WARRANTY LASTS, SO THE ABOVE LIMITATION MAY NOT APPLY TO YOU.)



SR6™ Recessed Housing

Including SR6H and SR6P

The SR6™ architectural LED downlight is for non-insulated ceiling applications.

INSTALLATION INSTRUCTIONS

⚠ CAUTION: Risk of Electric Shock

Suitable for Damp Locations. Do not install insulation within 76 mm (3 in) of any part of the luminaire.

IMPORTANT SAFETY INFORMATION

Read all instructions before installation.

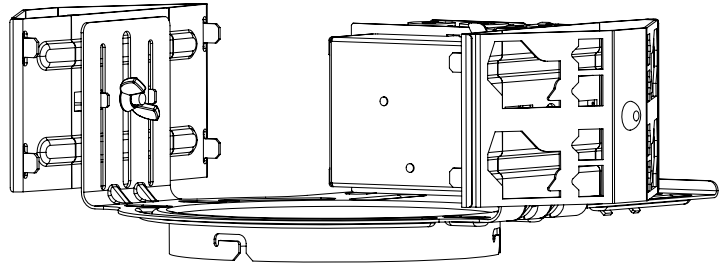
Before installing this fixture or doing any maintenance, make sure to turn off the power supply at the circuit breaker or fuse box.

Check to make sure that all fixture connections have been properly made and the fixture is grounded to avoid potential electrical shocks.

Do not handle energized fixture when hands are wet, when standing on wet or damp surfaces, or in water.

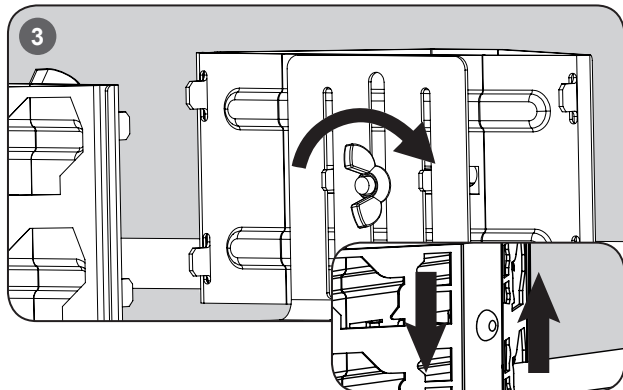
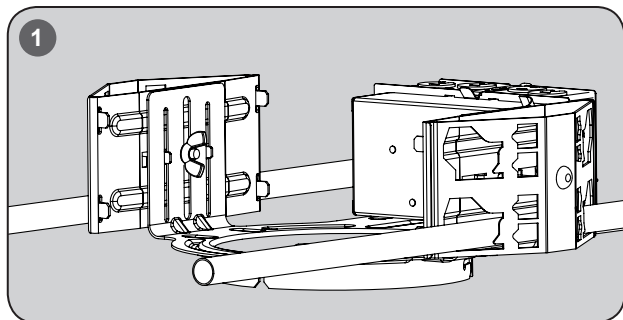
This fixture should be supported by main runners or other structure that is capable of supporting fixture weight of 10 lbs.

Install only in accordance with National Electrical Code and local regulatory agencies' requirements.



SR6H

TO INSTALL:



TO INSTALL SR6H

STEP 1:

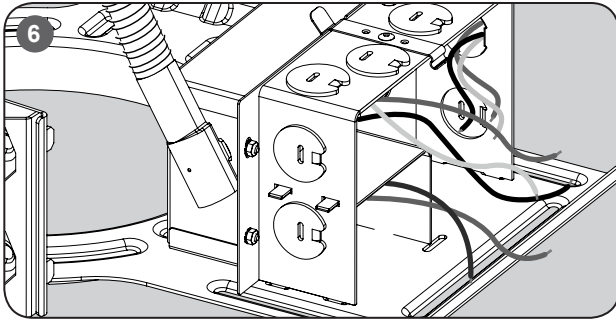
Install using ½" pipe, caddy hangers 517A, narrow C channel, or ½" thin bar (**not included**) to SR6H by inserting the hanger bars through the hanger brackets on both sides of the housing.

STEP 2:

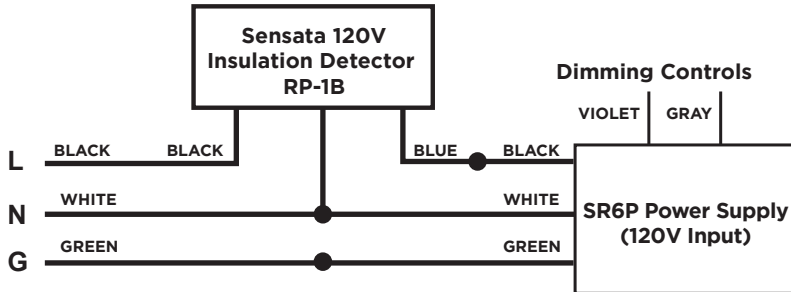
Secure the SR6H to the ceiling structure using connection features of the hanger bars.

STEP 3:

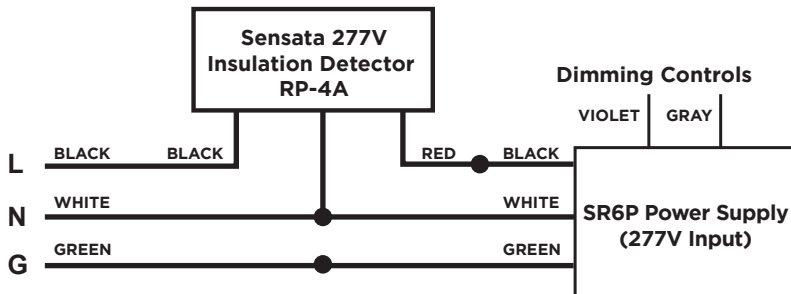
Adjust hanger brackets to desired height and tighten wing nuts.



120V CONNECTION



277V CONNECTION



CONNECTING POWER TO SR6P

STEP 4:

Provide electrical service according to the "National Electrical Code" or your local electrical code to the junction box. Supply wire insulation must be rated for at least 90 C. The junction box is rated for a maximum of 8 No. 12 AWG Branch Circuit rated minimum 90° C.

STEP 5:

Remove junction box cover appropriate knockout plates and connect conduit to junction box with proper connector (**not included**).

STEP 6:

Connect supply lead wires to lead wires of driver and insulation detector per wiring diagram.

STEP 6A:

For 120V connections, connect wires per wiring diagram.

BLACK - RP-1B (Line)

WHITE - RP-1B (Neutral)

GREEN - Power Supply (GROUND)

RP-1B (**BLUE**) - Power Supply (**BLACK**)

STEP 6B:

For 277V connections, connect wires per wiring diagram.

BLACK - RP-4A (Line)

WHITE - RP-4A (Neutral)

GREEN - Power Supply (Ground)

RP-4A (**RED**) - Power Supply (**BLACK**)

STEP 6C:

For dimming option connect wires per wiring diagram.

VIOLET - 0-10V Dimming Control +

GREY - 0-10V Dimming Control -

STEP 7:

Place all excess wiring and connections into the junction box and replace the cover. Align tab on the bottom of power supply with the mating hole below the junction box, ensure top tab of junction box is locked.



CreeLighting.com

U.S Patent no. 7,213,940
U.S and Foreign Patents Pending
Designed and Produced in USA

LPN000120_A

CREE® TRUEWHITE® TECHNOLOGY FIXTURE LIMITED CONSUMER WARRANTY

The limited warranty set forth below is given by the Cree company listed below ("Seller") with respect to the lighting product packaged with this limited warranty (the "Product"). Your Product, when delivered to you in new condition in its original packaging, is warranted against defects in materials or workmanship as follows: for a period of FIVE (5) YEARS from the date of original purchase, defective parts or a defective Product returned with the sales receipt as proof of purchase to Seller, or its authorized service providers, as applicable, and proven to be defective upon inspection, will be repaired, or exchanged for a new Product, as determined by Seller, or the authorized service provider. This limited warranty covers all defects encountered in normal use of the Product, and does not apply in the following cases: Loss of or damage to the Product due to acts of God; fire; vandalism; civil disturbances; power surges; improper power supply; electrical current fluctuations; corrosive environment installations; induced vibration; harmonic oscillation or resonance associated with movement of air currents around the product; abuse; alteration; accident; mishandling; failure to follow operating, maintenance or environmental instructions prescribed by Seller in writing or services performed by someone other than Seller or its authorized service provider. WARRANTY IS VOID IF PRODUCT IS NOT USED FOR THE PURPOSE FOR WHICH THIS PRODUCT IS MANUFACTURED. Any complaints you may have regarding the Product should be addressed to Ruud Lighting, Inc., 9201 Washington Avenue, Racine, WI 53406. Seller shall have no liability under this warranty unless Seller is notified in writing within sixty (60) days after your discovery of the defect and the defective items are promptly returned to Seller, freight prepaid, and received by Seller. This warranty excludes field labor and service charges related to the repair or replacement of the product. NO IMPLIED WARRANTY, INCLUDING ANY IMPLIED WARRANTY OF MERCHANTABILITY OR FITNESS FOR A PARTICULAR PURPOSE, APPLIES TO THE PRODUCT AFTER THE APPLICABLE PERIOD OF THE EXPRESS LIMITED WARRANTY STATED ABOVE, AND NO OTHER EXPRESS WARRANTY OR GUARANTY GIVEN BY ANY PERSON OR ENTITY WITH RESPECT TO THE PRODUCT SHALL BIND SELLER. (SOME STATES AND PROVINCES DO NOT ALLOW LIMITATIONS ON HOW LONG AN IMPLIED WARRANTY LASTS, SO THE ABOVE LIMITATION MAY NOT APPLY TO YOU.)



SR6™ Light Engine & Reflector Kit

Including SR6E and SR6T

INSTALLATION INSTRUCTIONS

The SR6™ architectural LED downlight is for non-insulated ceiling applications.

IMPORTANT SAFETY INFORMATION

Read all instructions before installation.

Before installing this fixture or doing any maintenance, make sure to turn off the power supply at the circuit breaker or fuse box.

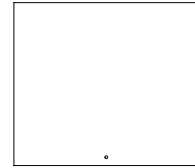
Check to make sure that all fixture connections have been properly made and the fixture is grounded to avoid potential electrical shocks.

Do not handle energized fixture when hands are wet, when standing on wet or damp surfaces, or in water.

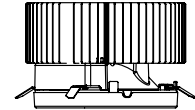
This fixture should be supported by main runners or other structure that is capable of supporting fixture weight of 10 lbs.

Install only in accordance with National Electrical Code and local regulatory agencies' requirements.

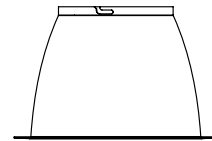
Collar



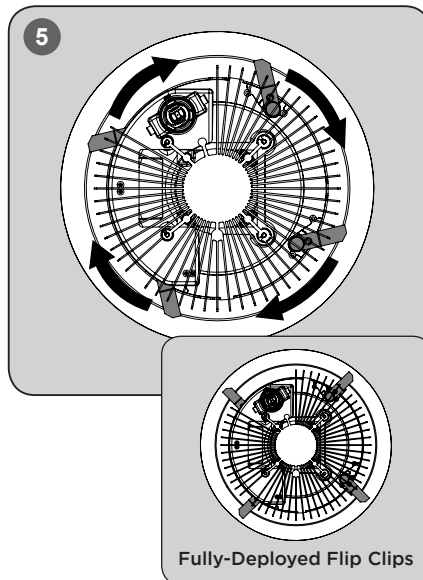
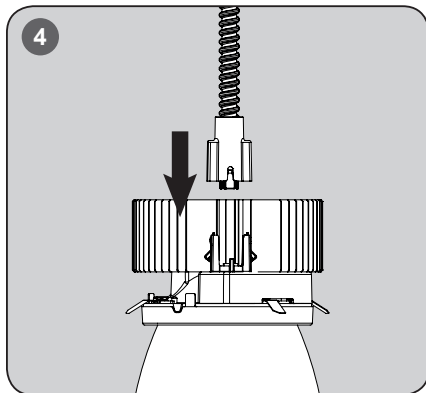
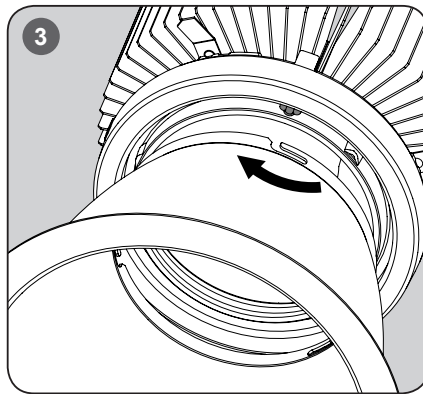
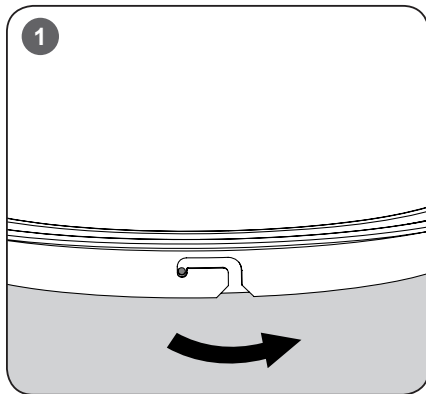
SR6E Light Engine



SR6T Reflector



TO INSTALL:



TO INSTALL COLLAR

STEP 1:

Insert collar into Recessed Housing Module (previously installed) opening, align rivet heads in collar with 3 vertical slots in the Recessed Housing Module. Slide collar up and turn clockwise to lock collar into Recessed Housing Module.

NOTE: When installing the collar check box next to appropriate Recessed Housing Module and Light Engine specifications.

TO INSTALL REFLECTOR

STEP 2:

Align the three vertical slots in the Reflector with the Light Engine locking tabs.

STEP 3:

Slide Reflector up and turn counterclockwise to lock Reflector into Light Engine.

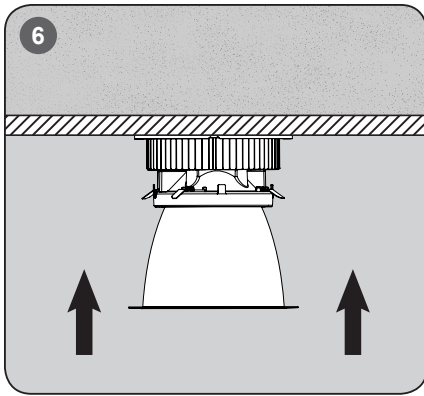
TO INSTALL LIGHT ENGINE

STEP 4:

Plug conduit power cable from Recessed Housing Module (previously installed) into Light Engine power adapter by aligning keying features and click to lock into place.

STEP 5:

Rotate the "Flip Clips" until the clips are oriented directly away from the fixture. This position is the "installation ready" position.



STEP 6:

Slide Light Engine with clips, in “installation ready” position, up into the collar firmly until Reflector ring is flush with ceiling.

REMOVAL OF LIGHT ENGINE & REFLECTOR

NOTE: Make sure power to fixture is disconnected before attempting to remove Light Engine and Reflector.

STEP 1:

Remove reflector from the Light Engine, by turning clockwise and pulling the reflector down.

STEP 2:

Remove Light Engine by turning counterclockwise as you pull downward. This will disengage the clips allowing the Light Engine to pull free.



U.S Patent no. 7,213,940
U.S and Foreign Patents Pending
Designed and Produced in USA

LPN000123_A

CREE® TRUEWHITE® TECHNOLOGY FIXTURE LIMITED CONSUMER WARRANTY

The limited warranty set forth below is given by the Cree company listed below (“Seller”) with respect to the lighting product packaged with this limited warranty (the “Product”). Your Product, when delivered to you in new condition in its original packaging, is warranted against defects in materials or workmanship as follows: for a period of FIVE (5) YEARS from the date of original purchase, defective parts or a defective Product returned with the sales receipt as proof of purchase to Seller, or its authorized service providers, as applicable, and proven to be defective upon inspection, will be repaired, or exchanged for a new Product, as determined by Seller, or the authorized service provider. This limited warranty covers all defects encountered in normal use of the Product, and does not apply in the following cases: Loss of or damage to the Product due to acts of God; fire; vandalism; civil disturbances; power surges; improper power supply; electrical current fluctuations; corrosive environment installations; induced vibration; harmonic oscillation or resonance associated with movement of air currents around the product; abuse; alteration; accident; mishandling; failure to follow operating, maintenance or environmental instructions prescribed by Seller in writing or services performed by someone other than Seller or its authorized service provider. WARRANTY IS VOID IF PRODUCT IS NOT USED FOR THE PURPOSE FOR WHICH THIS PRODUCT IS MANUFACTURED. Any complaints you may have regarding the Product should be addressed to Ruud Lighting, Inc., 9201 Washington Avenue, Racine, WI 53406. Seller shall have no liability under this warranty unless Seller is notified in writing within sixty (60) days after your discovery of the defect and the defective items are promptly returned to Seller, freight prepaid, and received by Seller. This warranty excludes field labor and service charges related to the repair or replacement of the product. NO IMPLIED WARRANTY, INCLUDING ANY IMPLIED WARRANTY OF MERCHANTABILITY OR FITNESS FOR A PARTICULAR PURPOSE, APPLIES TO THE PRODUCT AFTER THE APPLICABLE PERIOD OF THE EXPRESS LIMITED WARRANTY STATED ABOVE, AND NO OTHER EXPRESS WARRANTY OR GUARANTY GIVEN BY ANY PERSON OR ENTITY WITH RESPECT TO THE PRODUCT SHALL BIND SELLER. (SOME STATES AND PROVINCES DO NOT ALLOW LIMITATIONS ON HOW LONG AN IMPLIED WARRANTY LASTS, SO THE ABOVE LIMITATION MAY NOT APPLY TO YOU.)