

INSTALLATION INSTRUCTIONS

IMPORTANT SAFEGUARDS

When using electrical equipment, basic safety precautions should always be followed including the following:

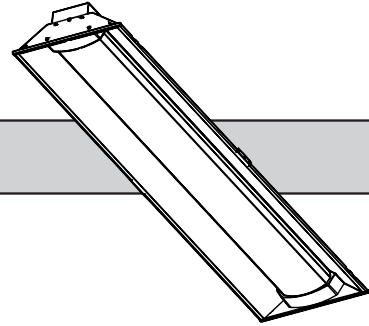
READ AND FOLLOW ALL SAFETY INSTRUCTIONS

1. To avoid the possibility of electrical shock, turn off power supply before installation or servicing.
2. Product must be installed in accordance with NEC or your local electrical code. If you are not familiar with these codes and requirements, consult a qualified electrician.
3. Do not handle energized module with wet hands or when standing on wet or damp surfaces, or in water.
4. Suitable for Damp Locations.
5. Access above ceiling required. Do not install insulation within 3"(76mm) of any part of the luminaire. Suitable for suspended ceilings.

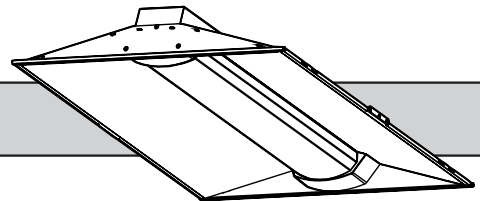
SAVE THESE INSTRUCTIONS FOR FUTURE REFERENCE

- The ZR Series of recessed troffers is for non-insulated ceiling applications using T-Bar ceiling grid, drywall grid adaptors, and suspended mount.
- Designed for use in 120-277V 50-60 Hertz protected circuit (fuse box, circuit breaker). Supply wire sized as per NEC or governing code(s), 90C rated.

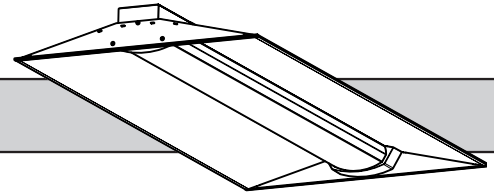
1x4



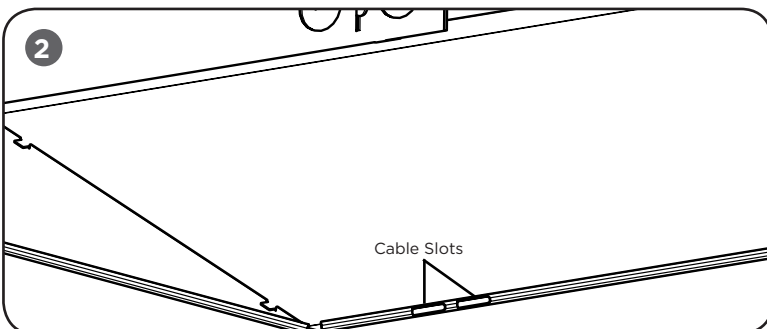
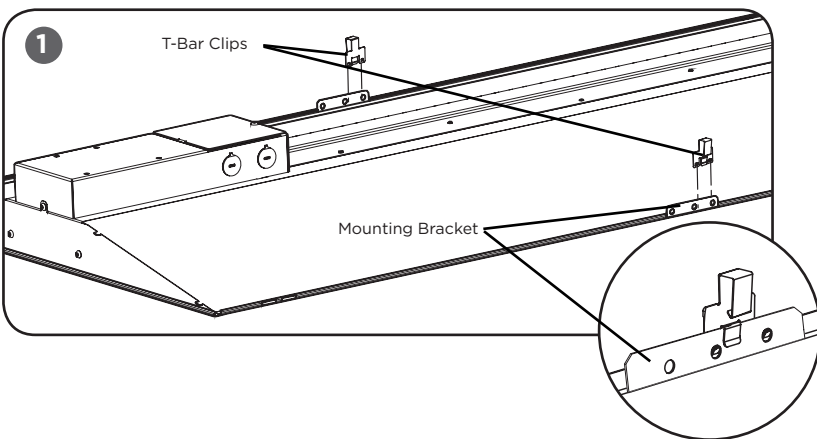
2x2



2x4



TO INSTALL:



T- BAR CEILING MOUNTING

STEP 1:

Install the (2) supplied T-Bar clips onto the mounting bracket on the outside of the housing. See **Figure 1**.

STEP 2:

Bring the ZR troffer into the T-Bar Ceiling panel and attach the clips on the housing onto the T-Bar.

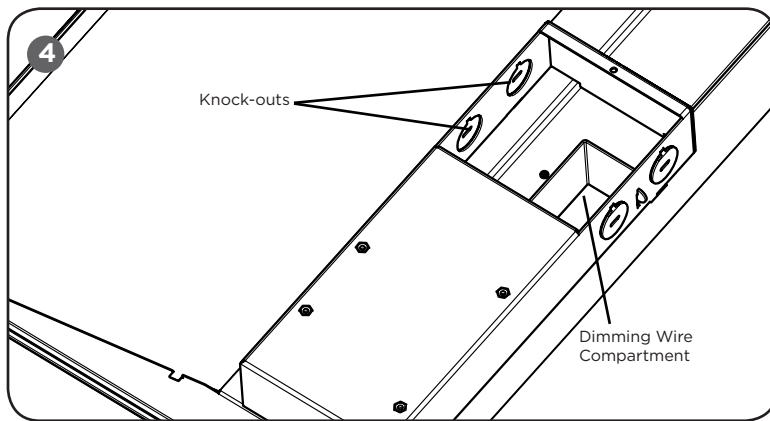
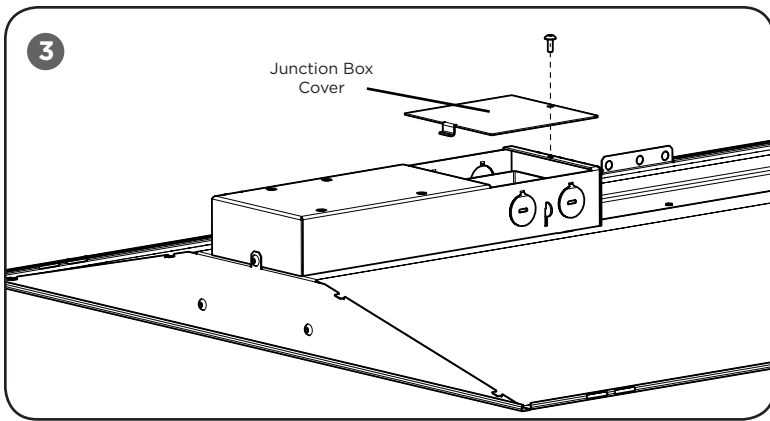
SUSPENDED MOUNTING

STEP 1:

Attach customer supplied cables to the (2) cable slots on each corner of the housing. See **Figure 2**.

STEP 2:

Attach customer supplied cables to mounting surface using customer supplied hardware. Ensuring that mounting surface can support the luminaire.



0 - 10V DIMMING OPTION

STEP 1:

Remove the cover of the junction box and bring in appropriate power supply to the junction box using one of the knock-outs. See **Figure 3 and 4.**

STEP 2:

Bring dimming conduit into dimming wire compartment using the knock-out. See **Figure 4 .**

STEP 3:

Wire luminaire per **“Electrical Connections”** section and push all leads into the junction box. Reattach junction box cover that was removed in Step 1 , make sure no wires are pinched.

ELECTRICAL CONNECTIONS

STEP 1:

Make the following Electrical Connections:

- Connect the black fixture lead to the voltage supply Line position, Hot.
- Connect the white fixture lead to the neutral supply position.
- Connect the green or green/yellow ground lead to the supply ground lead.
- If 0/1-10v Dimming is used, connect the violet lead to the supply positive dimming lead.
- If 0/1-10v Dimming is used, connect the gray lead to the supply negative dimming lead.

