

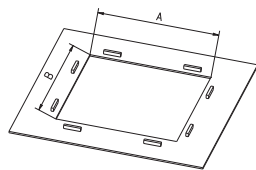
IMPORTANT: Read carefully before installing the fixture. SAVE THESE INSTRUCTIONS.

● Product Specifications

Model	Voltage	Power	CCT	Flux	Opening Size (mm)	Installation Method
MLVT22D4235	100-277V~50/60Hz	42W	3500K	3500 lm	580×580	Lay-In
MLVT22D4241	100-277V~50/60Hz	42W	4000K	3500 lm	580×580	Lay-In
MLVT22D4250	100-277V~50/60Hz	42W	5000K	3500 lm	580×580	Lay-In
MLVT14D4235	100-277V~50/60Hz	42W	3500K	3500 lm	1180×280	Lay-In
MLVT14D4241	100-277V~50/60Hz	42W	4000K	3500 lm	1180×280	Lay-In
MLVT14D4250	100-277V~50/60Hz	42W	5000K	3500 lm	1180×280	Lay-In
MLVT24D6035	100-277V~50/60Hz	60W	3500K	4800 lm	1180×580	Lay-In
MLVT24D6041	100-277V~50/60Hz	60W	4000K	4800 lm	1180×580	Lay-In
MLVT24D6050	100-277V~50/60Hz	60W	5000K	4800 lm	1180×580	Lay-In

● Installation and Electrical Connection

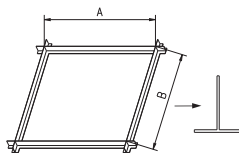
1



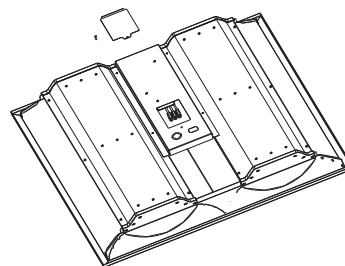
***Warning: Disconnect all power before installing**

The LED fixture installation: open a mounting hole in the ceiling; install the wooden blocking around the hole to prevent the fixture from moving around. The distance between the wooden blocking should be 3-5mm larger than the external dimension of the fixture. (Find the mounting hole size above)

T-bar installation: T-bar center distance generally goes as 606X606/1215X606/1215X304(mm). (Find the T-bar picture in the attachment.)

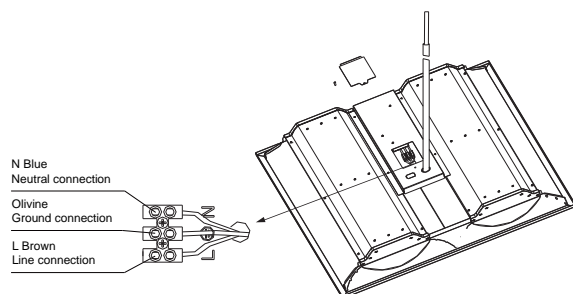


2



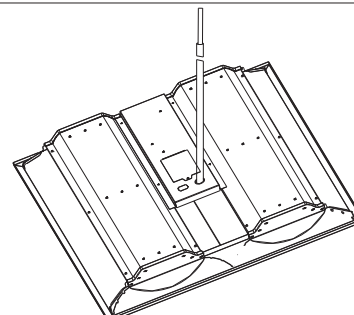
Loosen the screw in the backside channel board with screwdriver, and open one of the knockout holes for threading convenience.

3



Through the conduit, the power feed is connected to the wiring terminal; make sure the connection is solid and reliable.

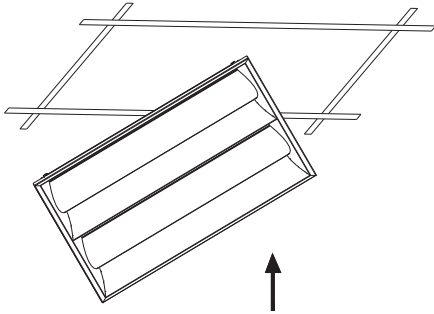
4



After the power is correctly connected, install the screw back to its channel board with screwdriver. Energize light test.

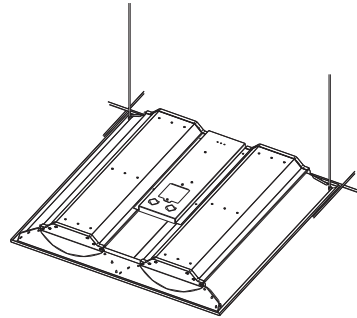
● Installation and Electrical Connection

5



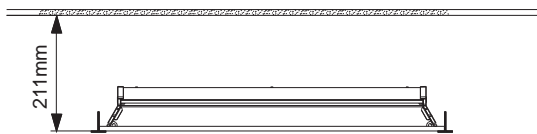
Put the fixture into the ceiling or the T-bar.

6

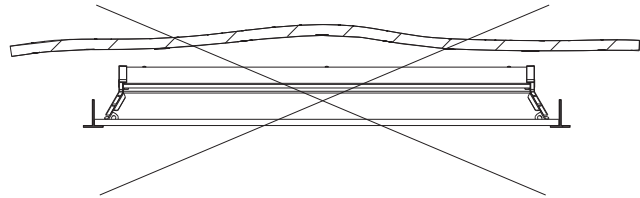


In case the fixture outweighs the maximum force the ceiling or the keel could stand, the lifting rope around the fixture is necessary for auxiliary support.

7



Suggested minimum clearance.



Not IC rated, do not cover fixture.

● Warnings:

1. Don't use in high humidity condition.
2. Keep away from flammable and explosive environment.
3. Don't cover the fixture with insulation liner or similar material.
4. Don't install where fixture is loose or only partially supported.
5. Don't impact or exert pressure on the fixture surface face or rear, as damage may occur.
6. If your fixture does not light, dim, or blinks rapidly; or any other fault, please contact with MaxLite service or local contact, do not try to repair by yourselves.

This installation instructions is only for reference.
The right to interpret this manual belongs to
MaxLite Inc.

For more information and questions, pls visit the website:

<http://www.maxlite.com>