

# Installation Instructions

## Track Heads

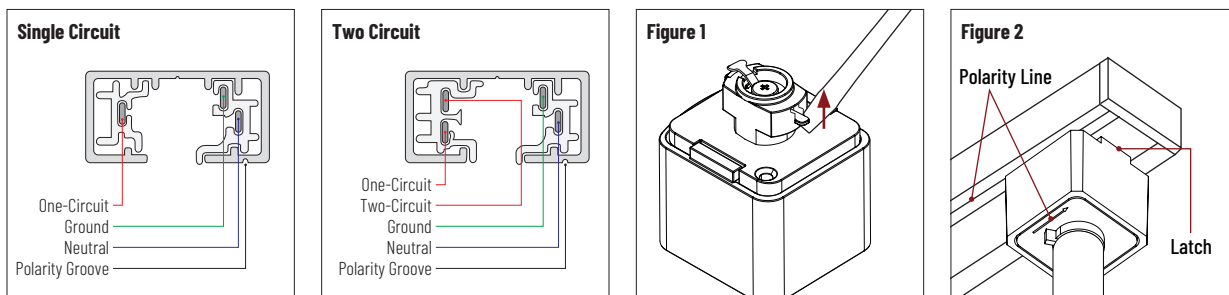
**READ PRIOR TO ATTEMPTING INSTALLATION**  
**ALWAYS TURN OFF MAIN POWER BEFORE INSTALLATION**  
**INSTALLATION SHOULD BE CARRIED OUT BY YOUR LOCAL ELECTRICIAN**

**⚠ IMPORTANT** - This equipment is intended to be installed only by qualified personnel. The installation must be made in accordance with the current edition of the National Electrical Code and all applicable state and local building codes. The final installation must be approved by the appropriate, qualified electrical/building inspector(s). Improper installation may result in a fire or electrical hazard. Be sure the electrical power to the circuit has been disconnected before installing this electrical system.

**⚠ IMPORTANT** - Cet équipement est destiné à être installé uniquement par du personnel qualifié. L'installation doit être faite conformément à l'édition actuelle du Code national de l'électricité et à tous les codes de construction locaux et nationaux applicables. L'installation finale doit être approuvée par un ou plusieurs inspecteurs qualifiés en électricité / bâtiment. Une installation incorrecte peut entraîner un incendie ou un risque électrique. Assurez-vous que l'alimentation électrique du circuit a été déconnectée avant d'installer ce système électrique.

### H-STYLE TRACK HEAD ADAPTER

1. Turn off power to track before beginning installation.  
If installing in single circuit track, proceed to step 3.
2. If installing in two circuit track, raise "Circuit Contact" on the track head adapter by using a flathead screwdriver to lift up contact to second circuit. (Figure 1)
3. Align the track head adapter and contacts parallel with track.
4. Insert the adapter into the track and twist the adapter towards the polarity line until the latch locks into track. (Figure 2)



### L-STYLE TRACK HEAD ADAPTER

#### INSTALLATION INSTRUCTIONS TO SINGLE CIRCUIT TRACK SYSTEM:

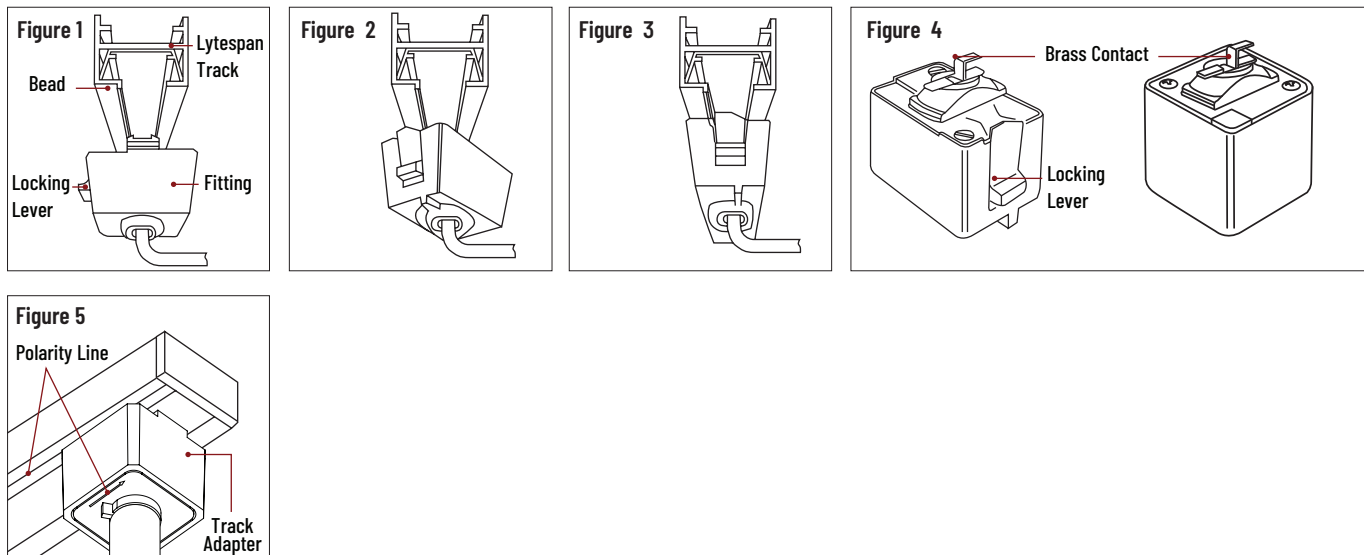
1. Turn off power to track before beginning installation.
2. Insert into LYTESPAN TRACK. (Figure 1) Locking lever must be on the same side of track as bead.
3. Rotate fitting 90° clockwise. (Figure 2)
4. Rotate fitting until locking lever snaps and locks in place. (Figure 3)
5. **TO REMOVE:** Depress locking lever, then rotate fitting 90° counterclockwise.

**FOR ADAPTER WITHOUT THE LOCKING LEVER:** Insert the adapter into the track and twist the adapter and ground contact towards the polarity groove. (Figure 5)

#### INSTALLATION INSTRUCTIONS TO TWO CIRCUIT TRACK SYSTEM:

1. Turn off power to track before beginning installation.
2. Brass contact can be raised or lowered. (Figure 4)
3. Broken line indicates position for one circuit or lower circuit of two circuit track system.  
To convert attachment fitting for upper circuit of two circuit track, raise brass contact to high position by lifting contact as high as stop permits and contact clicks into place.

**FOR ADAPTER WITHOUT THE LOCKING LEVER:** Raise "Positive Contact" by inserting the screwdriver under the contact and lifting upward. (Figure 4) Insert the adapter into the track and twist the adapter and ground contact towards the polarity groove. (Figure 5)



# Installation Instructions

## Track Heads

READ PRIOR TO ATTEMPTING INSTALLATION  
ALWAYS TURN OFF MAIN POWER BEFORE INSTALLATION  
INSTALLATION SHOULD BE CARRIED OUT BY YOUR LOCAL ELECTRICIAN

### J-STYLE TRACK HEAD ADAPTER

#### INSTALLATION INSTRUCTIONS TO SINGLE CIRCUIT TRACK SYSTEM:

**NOTE:** All Juno track sections have an embossed line (Figure 1) that indicates the track polarity. All track fixture adapters have raised arrows (Figure 2) that point to the polarity line when they are installed on the track section.

1. To attach fixture to single circuit track, insert "Adapter Contacts" (Figure 2) into track channel. Track fixture should be off.
2. Rotate adapter 1/4 turn (90°) so that polarity arrows point at the polarity line on the track.
3. Juno track fixture adapter have an on-off switch. Switch "on" position is opposite "Locking" lever.

**FOR ADAPTER WITHOUT THE LOCKING LEVER:** Insert the adapter into the track and twist the adapter and ground contact towards the polarity groove. (Figure 5)

#### INSTALLATION INSTRUCTIONS TO TWO CIRCUIT TRACK SYSTEM:

**NOTE:** For two circuit installation, the "Positive Contact" - (marked "P" - see Figure 3) must be in lower position for single circuit and in raised position for two circuit.

1. To install track fixture on 2nd (upper) circuit, raise "Positive Contact" by inserting a thin screwdriver under the contact and lifting upward (Figure 3).
2. Insert a "Contact Support" under the raised "Positive Contact" (Figure 4). (These "Positive Contact Supports" are supplied with all Juno Two Circuit Track sections.)
3. To attach fixture to two circuit track, insert "Adapter Contacts" (Figure 2) into track channel. Track fixture should be off.
4. Rotate adapter 1/4 turn (90°) so that polarity arrows point at the polarity line on the track.
5. Juno track fixture adapter have an on-off switch. Switch "on" position is opposite "Locking" lever.

**FOR ADAPTER WITHOUT THE LOCKING LEVER:** Raise "Positive Contact" by inserting the screwdriver under the contact and lifting upward. (Figure 3) Insert the adapter into the track and twist the adapter and ground contact towards the polarity groove. (Figure 5)

