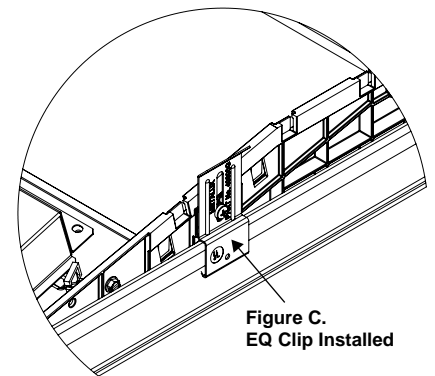
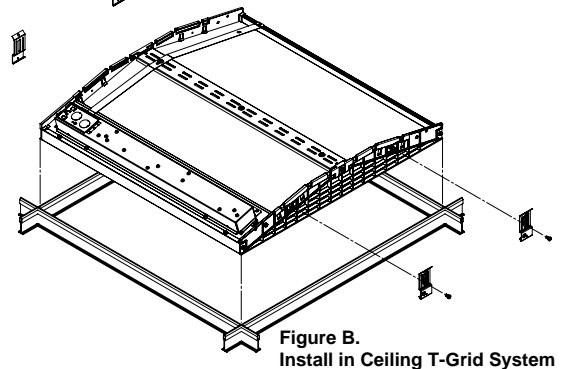
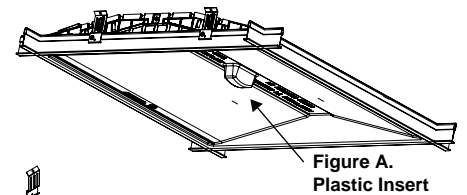


WaveStream Luminaire Installation Instruction Sheet

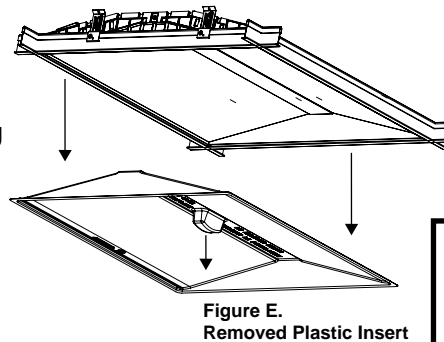
Fixture Installation/Wiring

1. Remove product from packaging material. Carton should be lying down flat, oriented with **THIS SIDE UP** markings facing up so that top panel of carton can be folded back and fixture can be lifted straight up out of packaging materials. Do not lift fixture by one end or pull on the end plates in any way. Luminaire should be handled by both aluminum side rails. Wear clean work gloves to prevent dirt and oil from being transferred to luminaire.
2. Note that the protective plastic insert that is shipped in the luminaire is intended to stay in the luminaire for protection of the lenses (Figure A). Take caution when handling the luminaire to not scratch or damage the lenses in the fixture.
3. Install the luminaire into the ceiling T-grid system. Ensure that luminaire sets snugly in T-grid system (**Figure B**). Ensure that all luminaires in an area are oriented in the same direction.
4. When required, attach EQ Clips to luminaire end plate with supplied screws to secure luminaire to T-grid system (**Figure C**). Take care to not over torque and strip screws.
5. Remove electrical access plate and remove necessary knockouts from access plate for attachment of electrical supply cable (**Figure D**). For questions about proper wiring of fixtures, see Metalux website.
6. Make necessary wiring connections to driver AC line input and optional DALI or 0-10V dimming circuits.
7. Replace electrical access plate and snap securely into place. If required, install optional screw to lock the access plate closed.



Final Luminaire Prep

The luminaire is shipped with a protective plastic insert that is intended to stay in the luminaire during building construction to keep dust and dirt from accumulating on the luminaire. Once all building construction and cleanup is complete, the insert is to be removed and recycled (**Figure E**).



Fixture Maintenance/Cleaning

Always follow recommended cleaning and handling procedures when cleaning the WaveStream™ lens. It can be permanently damaged if cleaned or handled improperly.

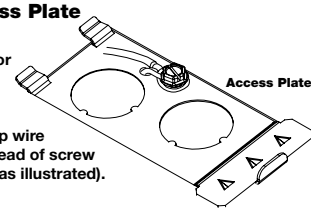
Before cleaning a WaveStream™ lens, take time to inspect the surfaces carefully in order to determine the type and severity of the contaminants. The process of cleaning the lens can result in damage to the optical surface if repeated multiple times.

For WaveStream™ lens with multiple contaminants, the order with which they are removed can be important. For instance, if a WaveStream™ lens is contaminated with oil and dust, it is possible that wiping the oil off first will scratch the optical surface as the dust is drug along the surface by the wipe.

ATTENTION

Standard Access Plate Installation

Grounding conductor (if insulated) to be stripped min. 1". Insert end of wire into small hole. Wrap wire under and around head of screw counter-clockwise (as illustrated). Tighten screw.



Flex Installation

Step 1. To insert access plate, rotate until leading end is inside the wireway (see A).

Step 2. Fold into horizontal position and slide forward into locking position.

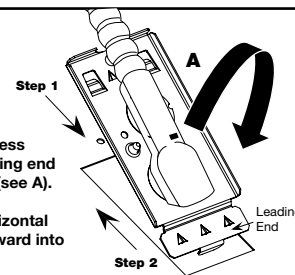


Figure D.

WaveStream Luminaire Installation Instruction Sheet

Blowing off the Surface of an Optic

Dust and other loose contaminants should be blown off before any other cleaning technique is employed. Using compressed air over the entire lens is recommended to prevent static buildup.

When using compressed air, hold the can upright throughout the procedure. Also, start the flow of air with the nozzle pointed away from the lens. Hold the can approximately 6" from the optic and use short bursts. Move the nozzle of the compressed air can over the optic with the nozzle at a grazing angle to the optical surface in a constant one-way direction. Due to the non-contact and solvent-free nature of this cleaning method, it should be used as a first step in cleaning all optics.

Additional Cleaning Methods

Fingerprints and large dust particles can be removed by gently wiping the surface with a clean microfiber cloth. If additional cleaning is required a mild solution of distilled water and Dawn® dish soap (between 1:20 and 1:10 parts Dawn to distilled water, respectively) could be used to wash the lens. The WaveStream lens should not remain wet any longer than necessary to remove the contaminants. Dry off surface with deionized air. Avoid pooling of water as that tends to leave streaks on the optical surface. This method is only recommended as a last resort as it increases the risk of damaging the lens.

Notes:

- Avoid any organic solvents. In addition, avoid any cleaning products including ammonia, ketones, window cleaners, or other alcohol based cleaners and solvents containing thinners, acetone, benzene and tetrachloride.
- For additional information on material compatibility in regard to environmental contact with chemicals and solvents please visit http://www.cooperindustries.com/content/public/en/lighting/products/indoor_ceiling_wall_mount_lighting/ceiling_mount/_181854.brands.lighting!metalux!options_accessories.html

WARNING:

RISK OF FIRE, ELECTRICAL SHOCK, CUTS AND OR OTHER CASUALTY HAZARDS. THIS PRODUCT MUST BE INSTALLED IN ACCORDANCE WITH THE APPLICABLE INSTALLATION CODE BY A PERSON FAMILIAR WITH THE CONSTRUCTION AND OPERATION OF THE PRODUCT AND THE HAZARDS INVOLVED. COOPER LIGHTING ASSUMES NO RESPONSIBILITY FOR CLAIMS BROUGHT ABOUT BY IMPROPER OR CARELESS INSTALLATION OR HANDLING OF THIS PRODUCT.

ATTENTION: RECEIVING DEPARTMENT

NOTE ACTUAL FIXTURE DESCRIPTION OF ANY SHORTAGE OR NOTICEABLE DAMAGE ON DELIVERY RECEIPT. FILE CLAIM FOR COMMON CARRIER (LTL) DIRECTLY WITH CARRIER. CLAIMS FOR CONCEALED DAMAGE MUST BE FILED WITHIN 15 DAYS OF DELIVERY. ALL DAMAGED MATERIAL, COMPLETE WITH ORIGINAL PACKING MUST BE RETAINED.



Edges may cut.
Handle with care.

NOTICE: GREEN GROUND SCREW PROVIDED IN PROPER LOCATION. DO NOT RELOCATE.



Risk of burn. Disconnect power and allow fixture to cool before changing bulb or handling fixture.

NOTICE: IF SUPPLY WIRES ARE LOCATED WITHIN 3 INCHES OF BALLAST, USE WIRE RATED FOR AT LEAST 90°C (194°F).



Risk of Fire and Electric Shock. If not qualified, consult an electrician.

