



Installation Instructions for the MAXCOR DLR4 4" Recessed LED Downlight

Model#’s DLR4-20-120V-2K
DLR4-20-120V-3K
DLR4-20-120V-4K
DLR4-20-120V-5K

NICOR, Inc. 2200 Midtown Place NE, Albuquerque, NM 87107 P: 800.821.6283 F: 800.892.8393



Risk of Fire or Shock:

LED Retrofit Kit installation requires knowledge of luminaires electrical systems. If not qualified, do not attempt installation. Contact a qualified electrician.

Supply conductors (power wiring) connecting the fixture must be rated minimum 90°C. If uncertain, consult an electrician.

Risk of Electric Shock:

Disconnect power at fuse or circuit breaker before installing or servicing.

Risk of Fire or Electric Shock:

Install this kit only in the luminaires that have the construction features and dimensions shown in the drawings.

Do not make or alter any holes in an enclosure of wiring or electrical components during kit installation.

Do not alter, relocate, or remove wiring, lampholders, power supply, or any other electrical component.

To prevent wiring damage or abrasion, do not expose wiring to edges of sheet metal or other sharp objects.

CAUTION: To avoid possible electric shock, be sure that power supply is turned off at fuse box or circuit breaker before attempting installation or servicing of the fixture. For safe operation, read and become familiar with complete installation instructions prior to use.

NOTE: This luminaire has been modified and can no longer operate the originally intended lamp. The provided label must be applied to the retrofitted luminaire where visible during re-lamping.

COMPATIBLE HOUSINGS: For a selection of NICOR housings, please visit our website: www.nicorlighting.com

Contents of Package:

DLR4 Luminaire, Installation Instructions, Retrofit Label, Edison Style connection adaptor (if applicable a GU24 connection adaptor is available).

Compatible Housings

NICOR’s MAXCOR DLR4 4” Recessed LED Downlight will work with most 4 inch housings. The DLR4 has a built in trim and does not require any additional trim. Use in recessed housings with no open holes.

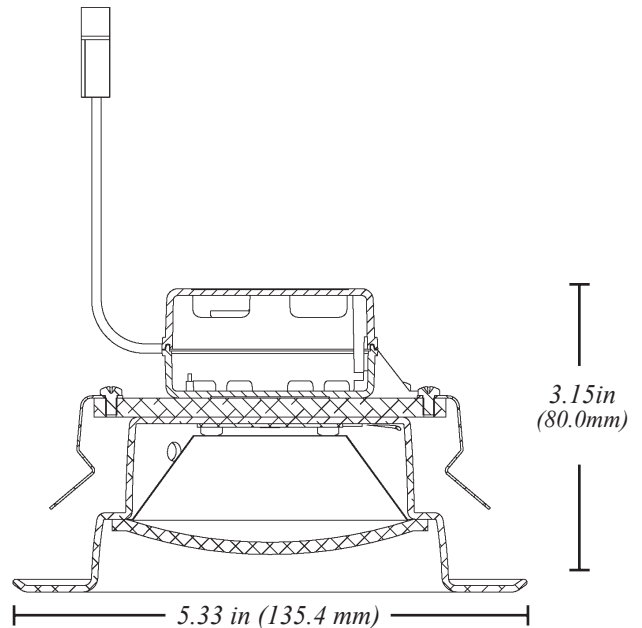
This LED retrofit kit is intended for installing in the field in recessed type IC and Non-IC luminaires with dimensions outlined in the installation instructions.

Minimum height for 4 inch cans is 5.75 in. (14.6 cm).

Suitable for wet locations when used in covered ceiling mount luminaires.

The retrofit kit is accepted as a component of a luminaire where the suitability of the combination shall be determined by CSA or authorities having jurisdiction.

For a selection of NICOR Housings, please visit our website: www.nicorlighting.com



MAXCOR DLR4 4" Recessed LED Downlight

Use of Dimmers

The MAXCOR DLR4 can be dimmed with most standard dimmers. See the list of suggested dimmers on the DLR4 box. To ensure your dimmer is compatible, please consult the dimmer manufacturer.

Installation of DLR4 4" Recessed LED Downlight into recessed can.

Step 1. Remove socket mounting bracket and plate from inside existing recessed housing (if installed).

Step 2. Remove socket from plate and discard plate. Attach retro-fit sticker to inside of housing.

Step 3. Screw Edison base into socket in recessed housing. (Fig. 2)

Note: If using GU24 base for Title 24, or similar, compliance attach it into GU24 socket in recessed housing instead. (Fig. 2a)

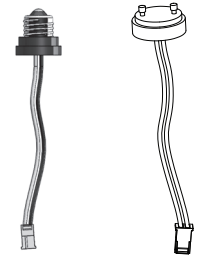


Fig. 2

Fig. 2a

Step 4. Plug the fixture connector into the Edison (or GU24) base connector .

Step 6. Carefully route wires into housing and push module up flush to ceiling surface (Fig. 3).

Removing MAXCOR DLR4 4" Recessed LED Downlight

Step 1. With fingertips, pull down firmly on trim ring until module releases from housing.

Step 2. Disconnect LED module wiring from recessed can (LED Connector or screw-in Edison base).

Warranty

For complete warranty information please visit :

<http://nicorlighting.com/resources/warranty-info/maxcor-brand-limited-warranty>

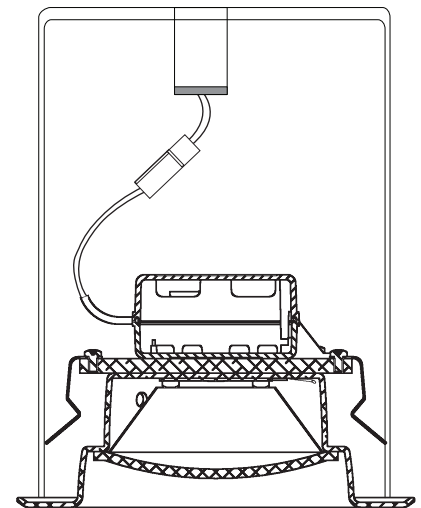


Fig. 3

Minimum housing height:
4" Housing = 5 in (14.6 cm)