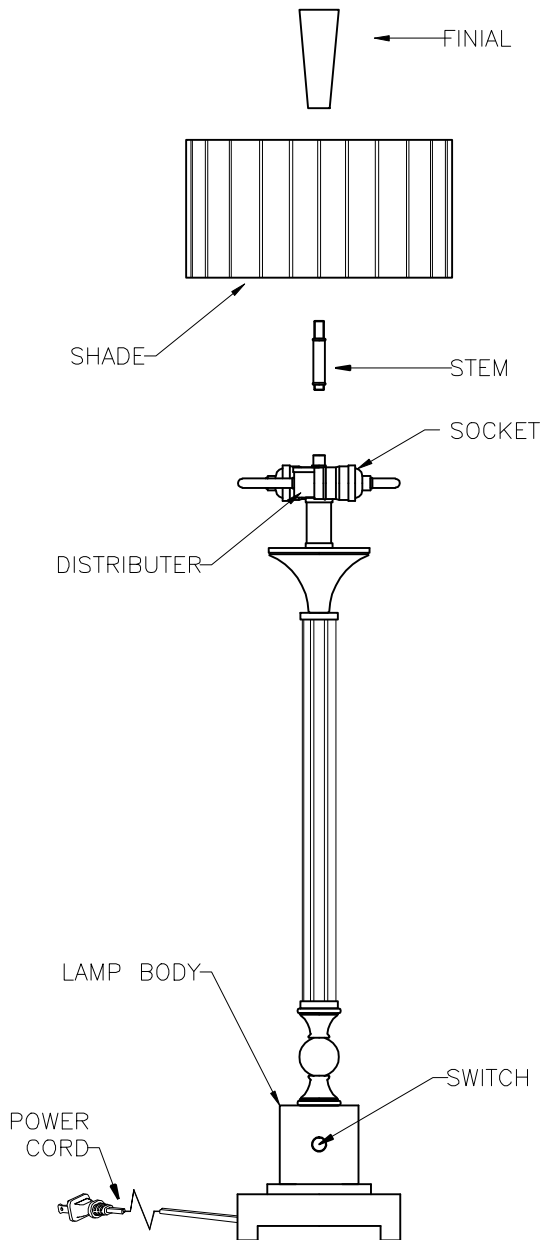




UTTERMOST



MODEL: 29658-1

ASSEMBLY INSTRUCTIONS

READ AND SAVE THESE INSTRUCTIONS

UNPACK THE LAMP

TO PROTECT THE FINISH, PLACE ALL PARTS ON A SOFT SURFACE. YOU SHOULD HAVE RECEIVED THE FOLLOWING: FINIAL, SHADE, STEM AND LAMP BODY.

ASSEMBLE THE LAMP

- CAREFULLY UNPACK AND PLACE ALL PARTS ON A SMOOTH, FLAT SURFACE. LINE UP ALL PARTS ACCORDING TO THE ASSEMBLY DIAGRAM.
- PLACE THE LAMP BODY IN AN UPRIGHT POSITION ON THE FLOOR.
- SCREW STEM INTO THE TOP OF DISTRIBUTER.
- PLACE SHADE ON TOP OF STEM AND SECURE WITH FINIAL.
- INSTALL (2) 60 WATT MAX. TYPE "A" BULB (NOT INCLUDED) INTO SOCKET.
- PLUG POWER CORD INTO A WALL OUTLET AND TURN ON THE SWITCH.

TROUBLE SHOOTING

- IF YOUR LAMP DOES NOT LIGHT, CHECK PLUG AT THE WALL OUTLET. MAKE SURE THE PLUG IS FULLY AND PROPERLY INSERTED INTO THE WALL OUTLET.
- IF LAMP STILL DOES NOT LIGHT, UNPLUG FROM OUTLET. CHECK THE BULB FOR A BROKEN FILAMENT, REPLACE BULB IF NECESSARY. PLUG IN LAMP AND TURN IT ON.
- IF THE LAMP STILL DOES NOT LIGHT, PLEASE CONTACT YOUR DISTRIBUTOR OR PLACE OF PURCHASE.

IMPORTANT SAFETY INSTRUCTIONS

THIS PORTABLE LAMP HAS A POLARIZED PLUG (ONE BLADE IS WIDER THAN THE OTHER) AS A FEATURE TO REDUCE THE RISK OF ELECTRIC SHOCK. THIS PLUG WILL FIT IN A POLARIZED OUTLET ONLY ONE WAY. IF THE PLUG DOES NOT FIT FULLY IN THE OUTLET, REVERSE THE PLUG. IF IT STILL DOES NOT FIT, CONTACT A QUALIFIED ELECTRICIAN. NEVER USE WITH AN EXTENSION CORD UNLESS PLUG CAN BE FULLY INSERTED. DO NOT ALTER THE PLUG.