



UTTERMOST

MODEL: 21970

ASSEMBLY INSTRUCTIONS

READ AND SAVE THESE INSTRUCTIONS

TOOLS: YOU WILL NEED THE FOLLOWING TOOLS OR EQUIPMENT: LADDER, SCREWDRIVER, ADJUSTABLE WRENCH, WIRE CUTTERS

UNPACK THE FIXTURE

YOU SHOULD HAVE RECEIVED THE FOLLOWING: CANOPY, (2)7' CHAIN, (4)QUICK LINK AND METAL SHADE.

MOUNTING HARDWARE PACKAGE:

CROSS BAR, GREEN GROUND SCREW, (2)8-32 x 1" SCREWS, (2)8-32 x 1 1/2" SCREWS, (3)WIRE CONNECTORS AND (2)BALL FINIALS.

TO PROTECT THE FINISH, PLACE ALL PARTS ON A SOFT SURFACE.

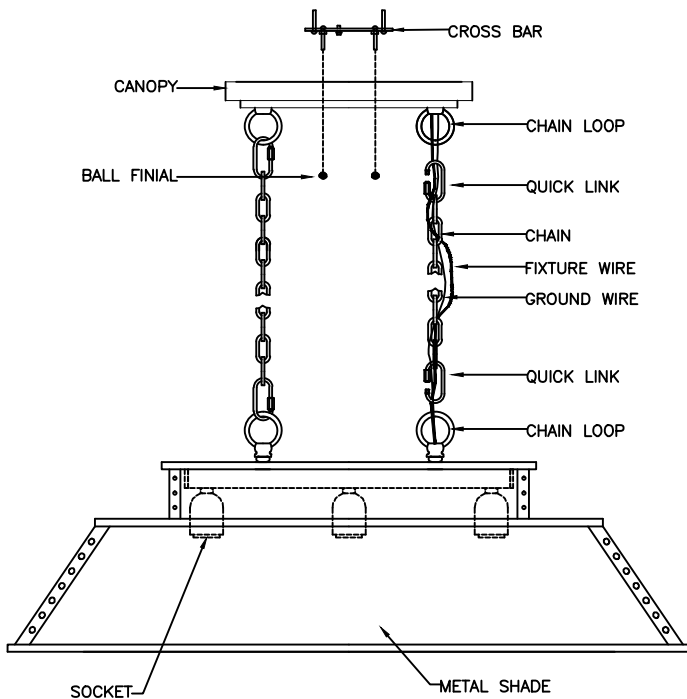
ASSEMBLE THE FIXTURE

1. DETERMINE THE LENGTH OF CHAIN REQUIRED TO HANG THE FIXTURE AT THE DESIRED HEIGHT.
2. USING QUICK LINK ATTACH TO THE CHAIN LOOP ON TOP OF THE FIXTURE.
3. REMOVE OR ADD CHAIN AS DESIRED AT THIS TIME.
4. LACE FIXTURE WIRES AND GROUND WIRE UP THROUGH EVERY OTHER LINK OF CHAIN.

STOP COMPLETE INSTALLATION INSTRUCTIONS BEFORE CONTINUING TO FINAL ASSEMBLY.**

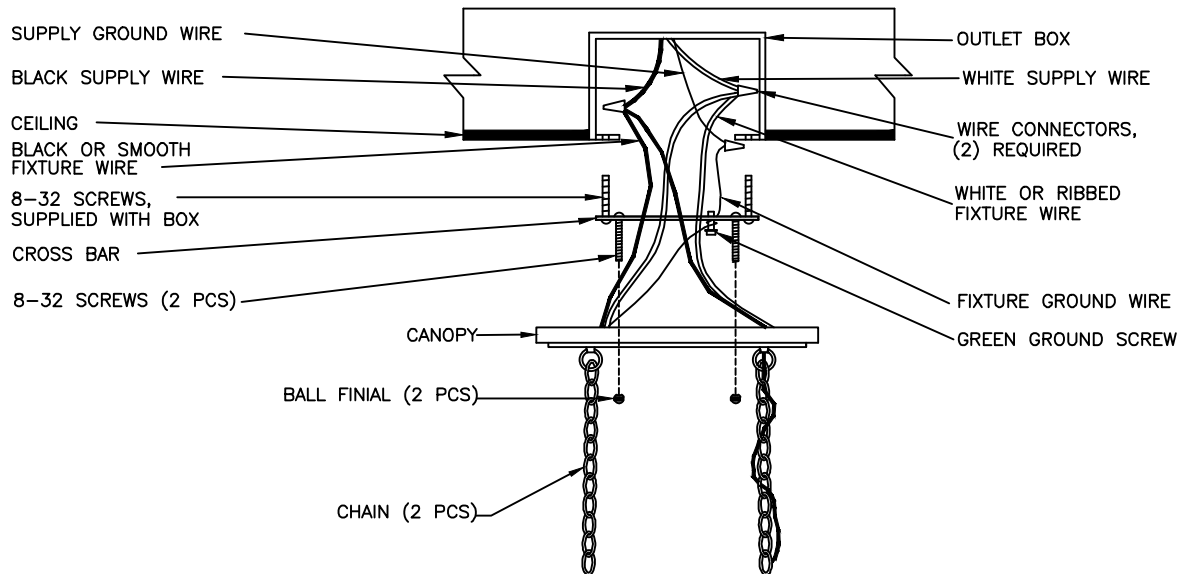
FINAL ASSEMBLY

1. INSTALL A 60 WATT MAX. TYPE "A" BULB (NOT INCLUDED) INTO EACH SOCKET.
2. RESTORE POWER. YOUR FIXTURE IS NOW READY TO USE.





UTTERMOST



MODEL: 21970

INSTALLATION INSTRUCTIONS

READ AND SAVE THESE INSTRUCTIONS

CAUTION

TO AVOID POSSIBLE ELECTRIC SHOCK, MAKE SURE THE ELECTRICITY IS SHUT OFF AT THE MAIN PANEL. IF YOU ARE REPLACING AN EXISTING FIXTURE, FIRST TURN THE FIXTURE OFF. NEXT, TURN THE WALL SWITCH OFF. FINALLY, GO TO THE MAIN FUSE OR BREAKER BOX IN YOUR HOME. TURN THE FUSE OR BREAKER TO THE OFF POSITION. SOME TYPES OF FUSES MUST BE UNSCREWED TO SHUT OFF THE POWER.

* ALL WIRING MUST BE DONE IN ACCORDANCE WITH NATIONAL AND LOCAL ELECTRIC CODES.

** IF YOU DO NOT HAVE ELECTRICAL WIRING EXPERIENCE, HAVE YOUR FIXTURE INSTALLED BY A QUALIFIED LICENSED ELECTRICIAN.

***THIS FIXTURE IS TO BE MOUNTED TO A UL LISTED OUTLET BOX CAPABLE OF SUPPORTING THE WEIGHT OF THIS FIXTURE. THE OUTLET BOX MUST BE DIRECTLY SUPPORTED BY THE BUILDING STRUCTURE.

1. SCREW SCREWS INTO CROSSBAR SO THAT THEY LINE UP WITH HOLES IN CANOPY, ATTACH THE CROSS BAR TO THE CEILING OUTLET BOX USING THE TWO SCREWS PROVIDED WITH THE OUTLET BOX. (NOTE: IF THE SCREWS WITH THE OUTLET BOX ARE TOO SHORT, USE THE (2) 8-32 x 1" SCREWS PROVIDED IN THE MOUNTING HARDWARE PACKAGE).
2. CONNECT THE WHITE OR RIBBED FIXTURE WIRES TO THE WHITE SUPPLY WIRE IN THE OUTLET BOX USING THE TWIST-ON WIRE CONNECTORS PROVIDED. CONNECT THE BLACK OR SMOOTH FIXTURE WIRES TO THE BLACK SUPPLY WIRE IN THE SAME MANNER. ATTACH THE FIXTURE AND SUPPLY GROUND WIRES ONTO THE CROSS BAR USING THE GREEN GROUND SCREW AND WIRE CONNECTOR.
3. TUCK THE WIRES CAREFULLY INSIDE THE OUTLET BOX. SPREAD THE ELECTRICAL SPLICES SO THAT THE BLACK WIRES ARE ON ONE SIDE OF THE OUTLET BOX AND THE WHITE WIRES ARE ON THE OTHER SIDE.
4. RAISE THE FIXTURE TO THE CEILING AND SECURE IN PLACE WITH BALL FINIALS.
5. SEE REVERSE FOR FINAL ASSEMBLY.

PO BOX 558/3325 GRASSY HILL RD. ROCKY MOUNT, VIRGINIA 24151

www.uttermost.com