



STYLE NO.: 21964 Parts and Hardware List

A.	Ceiling Assembly	1PC
B.	Ball Nut	2PCS
C.	Master Assembly	1PC
D.	Universal Bar	1PC
E.	Mounting Screw	2PCS
F.	Ground Screw (green)	1PC
G.	Wire Nut	3PCS
H.	Outlet Box Screw	2PCS
I.	Finial	1PC
J.	Diffuser (with crystal string)	1PC
K.	Pre-Threaded Tube	1PC
L.	Washer	2PCS

Please make sure that you have all the parts indicated before you begin assembling this item.

Please read Wiring Instructions before you begin assembling and installing your Ceiling Lamp.

WARNING: BEFORE INSTALLING, make sure the electricity supply is shut off to avoid a possible electric shock.

Assembly Instruction

1. Take the parts carefully out of the carton, place them on a flat surface, and make sure that the parts will not be damaged.
2. Remove the Ball Nuts under the Canopy from the Mounting Screws, and take out the Universal Bar. Attach the Universal Bar to the Outlet Box by using two Outlet Box Screws. (See Figure 1)
3. Install the ground wire in the Universal Bar with the supplied Ground Screw (green).
4. Place the null wire, ribbed wire evenly against the ribbed wire from the Outlet Box and place the live wire, smooth wire evenly against the smooth wire from the Outlet Box. (Connecting the Wires-See Figure 2)
5. After the wires are connected, tuck them carefully inside the Outlet Box. Attach the Ceiling Assembly to the Mounting Screws and secure with two Ball Nuts. (See Figure 1)
6. Screw the Master Assembly onto the Metal Tube (A) until tight.
7. Repeat the Step 6 with the Tube (B), (C) and (D).
8. Install 2pcs 40 Watt, E12 Type B bulbs (sold separately) into the socket of the fixture, and then Screw the **pre-threaded tube to Master Assembly**.
9. Place the Diffuser into the pre-threaded tube and secure by the Finial.



STYLE NO.: 21964

Assembly Instruction

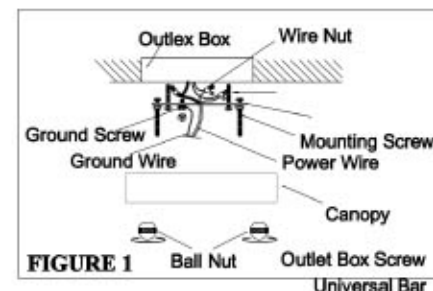
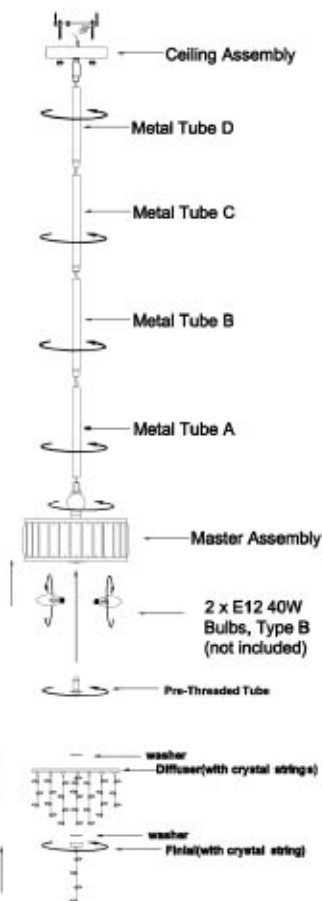


FIGURE 1

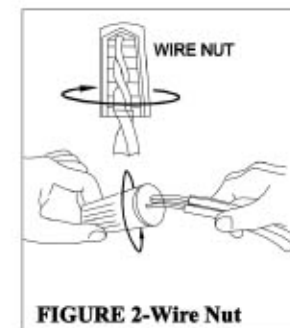


FIGURE 2-Wire Nut