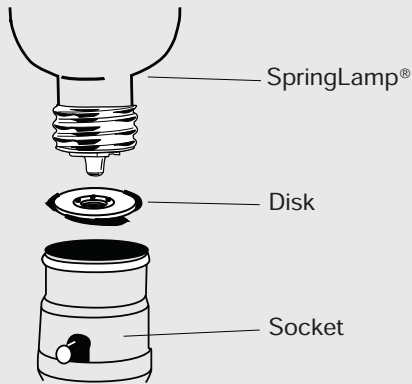


## 10PERM Permanent Installation Disk

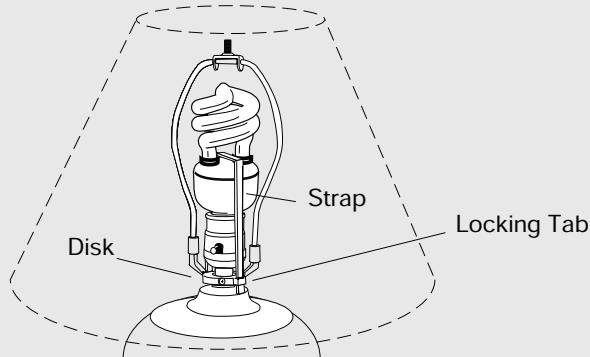


- Converts a light fixture to a permanent compact fluorescent installation
- Qualifies for many rebate programs

To install:

- 1 Unplug lamp from power receptacle and remove bulb
- 2 Snap disk onto SpringLamp® base and screw bulb into socket

## 10LOCK Vandal Resistant Device

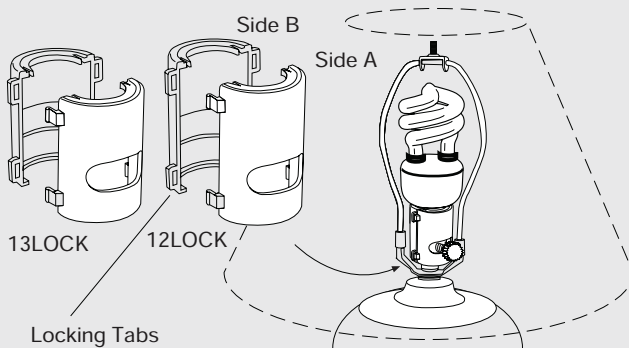


- Used to help prevent bulb theft, use with all lamps except covered lamps

To install:

- 1 Clamp disk around the base of the lamp
- 2 Secure screw with allen wrench provided
- 3 Place strap across top middle of ballast or bulb
- 4 Insert strap end into locking tab and push strap down slightly to secure

## 12LOCK and 13LOCK Vandal Resistant Devices



Use 13LOCK for short sockets (1.96" MOL) or 12LOCK for long sockets (2.34" MOL)

- Used to help prevent bulb theft, use with all lamps except candelabra base lamps

To install:

- 1 Wrap side A and side B around socket as shown
- 2 Secure by snapping together locking tabs