

# Installation Instructions

\*\*\*\*URGENT: READ PRIOR TO ATTEMPTING INSTALLATION\*\*\*\*

## NTL-226 COMBINATION PROJECTOR - FRAMING PROJECTOR - GOBO PROJECTOR - BEAM CONCENTRATOR

### WARNING - RISK OF FIRE

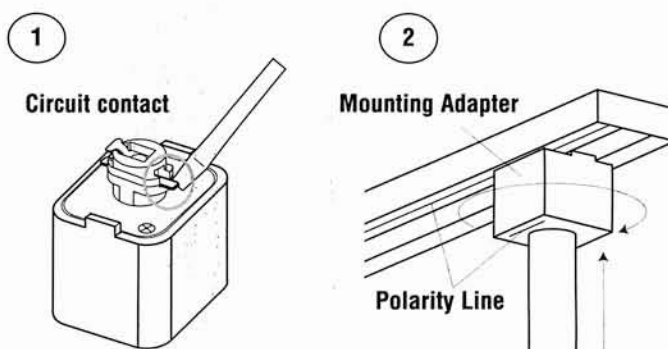
**FIRE/ELECTRICAL HAZARD: INSTALL ACCORDING TO NATIONAL ELECTRIC CODE AND ANY APPLICABLE MUNICIPAL CODE REQUIREMENTS.**

*This equipment is intended to be installed only by qualified personnel. The installation must be made in accordance with the current edition to the National Electric Code and all applicable state and local building codes. The final installation must be approved by the appropriate qualified electrical/building inspector(s). Improper installation may result in a fire or electrical hazard. Be sure electrical power to the circuit has been disconnected before installing this electrical system.*

### INSTALLATION OF NTL-226 TO TRACK:

1. Nora track contacts are preset down for single circuit track (or the first circuit on two circuit track). To change contact assembly for the second circuit on two-circuit track, use a screwdriver to lift the positive contact to highest position. (1)

2. Hold the fixture by its mounting adapter. Match the polarity line on fixture to the polarity groove on track. Turn the fixture counter-clockwise until the contact head can be inserted into the track, push fixture straight into the track rail opening, then rotate contact head adapter clockwise until it locks into place. Note that the polarity lines on both the track and fixture are aligned. To remove, pull mounting adapter sleeve down and turn the fixture counter-clockwise 90 degrees. (2)

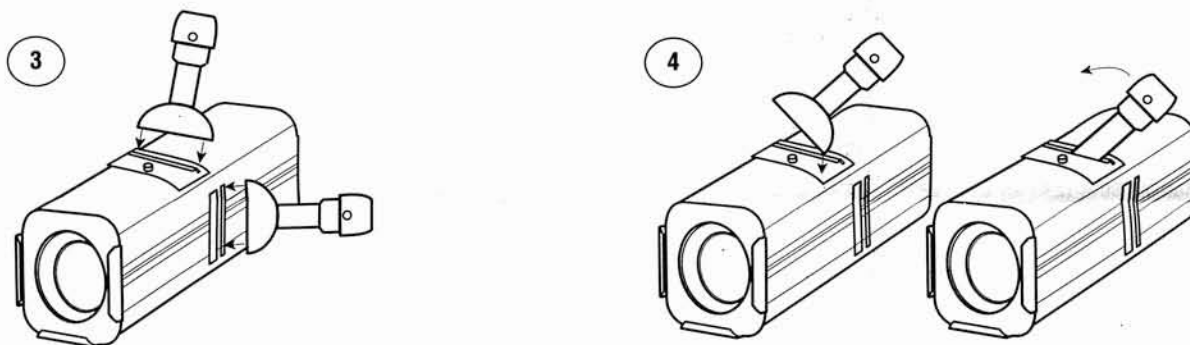


### INSTALLATION OF PROJECTOR ACCESSORIES:

**Accessories Included with Projector:** • 4 - Framing Shutters • 1 - Gobo Holder • 2 - Beam Concentrator Templates • 1 - Gel Holder

### TO SET FRAMING PROJECTOR:

1. Aim fixture to center light as much as possible onto artwork.  
2. Tighten adjusting knobs on yoke of fixture to lock vertical angle into place.  
3. Insert framing shutters into small slots located on all four sides of projector. (3) Insert each shutter at a 45-degree angle. Once shutter is inside the projector, lift its handle to straighten into position. (4)



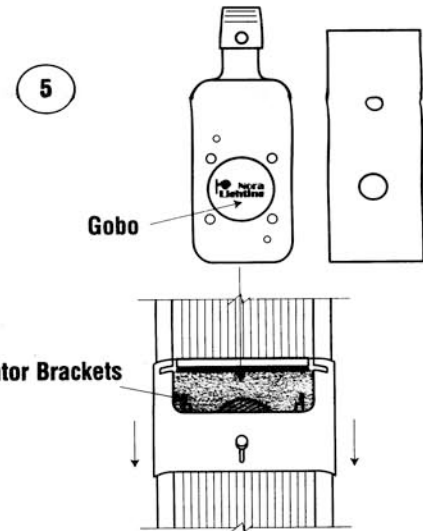
**IMPORTANT:** Framing shutter slot on top of projector is located directly *behind* the large opening that is used for gobo or beam concentrator.

4. Adjust shutters to size of artwork by pushing in or pulling out until appearance is satisfactory. Note: shutter adjusted is opposite effect on artwork, so moving the shutter on top of the projector will affect the border on the bottom of the artwork; moving the shutter on the left hand side of the projector will alter the border on the right side of the artwork, etc.  
5. Focus the outer frame border as desired using the two steel focusing knobs located on the bottom of the projector. For fine tuning, the lamp holder assembly can also be adjusted back or forth by loosening the large plastic retaining screw located to the rear of the projector on the bottom. (7)

## NTL-226 COMBINATION PROJECTOR - FRAMING PROJECTOR - GOBO PROJECTOR - BEAM CONCENTRATOR

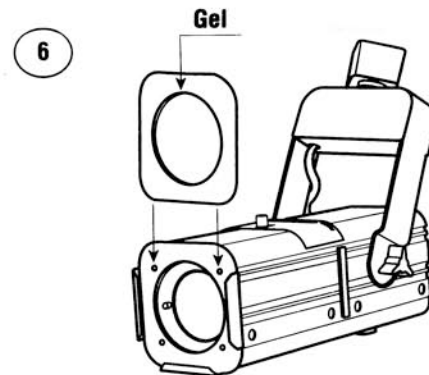
### TO SET GOBO OR BEAM CONCENTRATOR:

1. Aim fixture to center light as much as possible onto object being illuminated (beam concentrator) or space where gobo image is to be projected (gobo projector).
2. Tighten adjusting knobs on yoke of fixture to lock vertical angle into place.
3. Insert gobo accessory or beam concentrator template into vertical brackets located inside and at the back of the large opening located on top of the projector. To access this opening, loosen the screw knob on top of the projector and slide the door toward the front of the projector. Make sure to close this door and tighten into place once accessory is in place. (5)
4. Focus as desired using the two steel focusing knobs located on the bottom of the projector. (7)



### TO SET GEL HOLDER:

1. Color Theatrical Gel by Others. Contact Nora for dimensions of gel card necessary to fit into gel holder accessory.
2. Insert gel holder accessory into front of fixture as shown. (6)



### MAINTENANCE:

#### TO CHANGE MR16 LAMP SOURCE:

1. Remove NTL-226 from track rail.
2. Use ONLY a narrow spot (EXT or EYF) beam spread of 8 - 15 degrees maximum (the narrower, the better). For best results, use either a 71W or 75W lamp for maximum brightness.
3. Remove lamp holder assembly by removing the large plastic knob located at the bottom of the projector close to the rear. (a)
4. Pull the assembly straight out of the back of the fixture.
5. Press firmly on lever at the top of the MR16 face, remove both lamp and socket, and disengage the old lamp from the socket.
6. Insert a new lamp into socket, place into lamp holder bracket, and push lamp into position.
7. Insert lamp holder assembly into the rear of the projector housing.
8. Insert the large plastic knob screw (a) through the slot in the bottom of projector (b) into its matching hole (c) on the inserted lamp holder assembly. (7)

