

## BLED5 INSTALLATION INSTRUCTIONS



BLED5 Square



BLEDR5 Round



BLED2X5 Square



BLEDR2X5 Round

Thank you for buying RAB lighting fixtures. Our goal is to design the best quality products to get the job done right. We'd like to hear your comments. Call the Marketing Department at 888-RAB-1000, or email: [marketing@rabweb.com](mailto:marketing@rabweb.com)

### IMPORTANT

**READ CAREFULLY BEFORE INSTALLING FIXTURE. RETAIN THESE INSTRUCTIONS FOR FUTURE REFERENCE.**

RAB fixtures must be wired in accordance with the National Electrical Code and all applicable local codes. Proper grounding is required for safety. **THIS PRODUCT MUST BE INSTALLED IN ACCORDANCE WITH THE APPLICABLE INSTALLATION CODE BY A PERSON FAMILIAR WITH THE CONSTRUCTION AND OPERATION OF THE PRODUCT AND THE HAZARDS INVOLVED. WARNING: Make certain power is OFF before installing or maintaining fixture. No user servicable parts inside.**

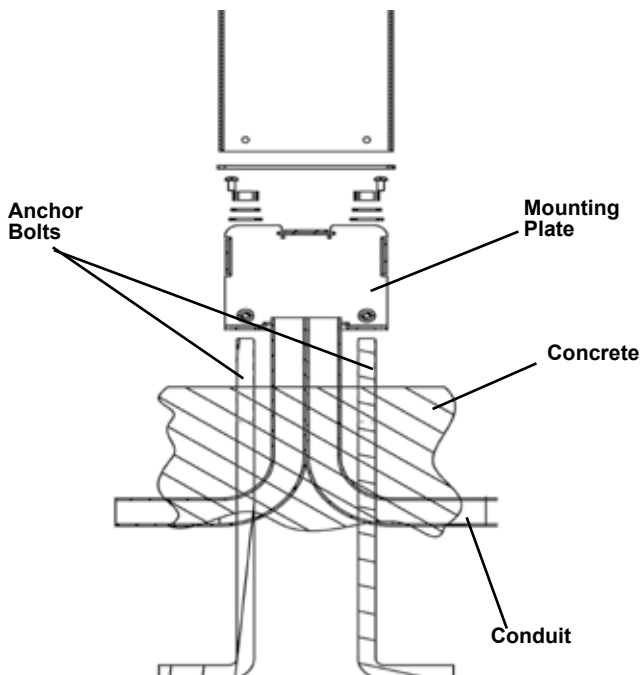
### LOCATION

1. The Bollard should be mounted to a firm level surface.
2. Anchor bolts may be used in new concrete installations. Use the template provided.
3. For all other applications use anchors suitable for the mounting surface.

### ANCHOR BOLTS INSTALLATION

CAUTION: Install according to all applicable local codes.

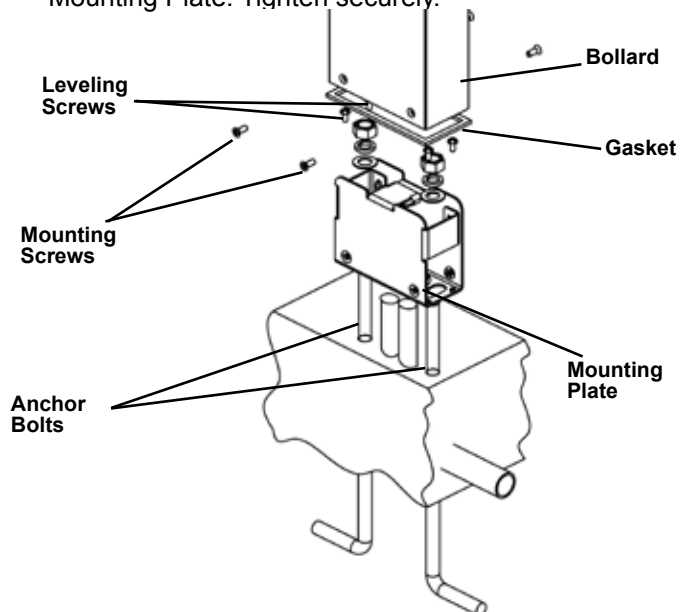
1. Install two **Anchor Bolts** in concrete foundation (by others) using the template provided. **Mounting Plate** may also be used as the template. **Anchor Bolts** should protrude no more than 3".



### MOUNTING PLATE

Assemble fixture(s) to bollard before mounting the Bollard to the Mounting Plate.

1. Place the **Mounting Plate** over **Anchor Bolts**.
2. Use four **Leveling Screws** or shims to level the **Mounting Plate**.
3. Tighten assembly using the washers, lockwashers and nuts provided.
4. Make sure supply leads extend far enough to make fixture connections.
5. Slide **Gasket** down around the bottom of the **Mounting Plate**.
6. Use the four screws to mount the **Bollard** to the Mounting Plate. Tighten securely.

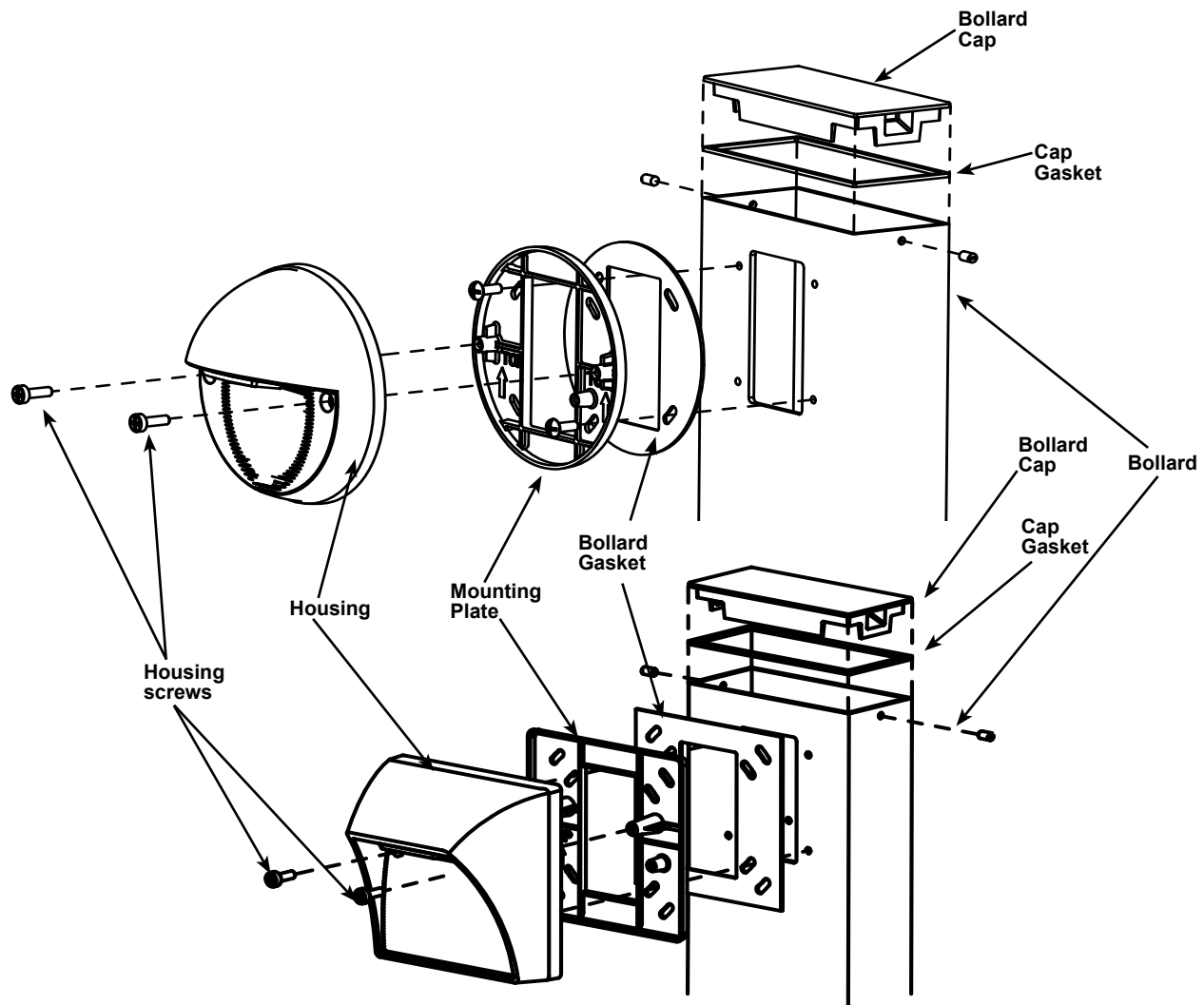


## BLE5 INSTALLATION INSTRUCTIONS

### MOUNTING FIXTURES

For BLE5 & BLEDR5 the window is available on one side of **Bollard**. Secure Bollard before installing the housing.

1. Loosen **Housing Screws** and remove **Mounting Plate**. Screws will remain in place with O-ring retaining gaskets. Fixture may hang from the tether while installing.
2. Place **Bollard Gasket** and **Mounting Plate** over recessed box.
3. Attach **Mounting Plate** with supplied **Mounting Plate Screws**.
4. Pull supply wires from box through mounting plate and wire fixture as shown in the wiring section.
5. Check **Housing Gasket**. It should remain firmly around the inside of the **Housing**.
6. Align **Housing** to **Mounting Plate**.
7. Make sure all gaskets are properly seated. Tighten **Housing Screws**.
8. Secure the **Cap Gasket** and tighten the **Bollard Cap** with supplied screws.

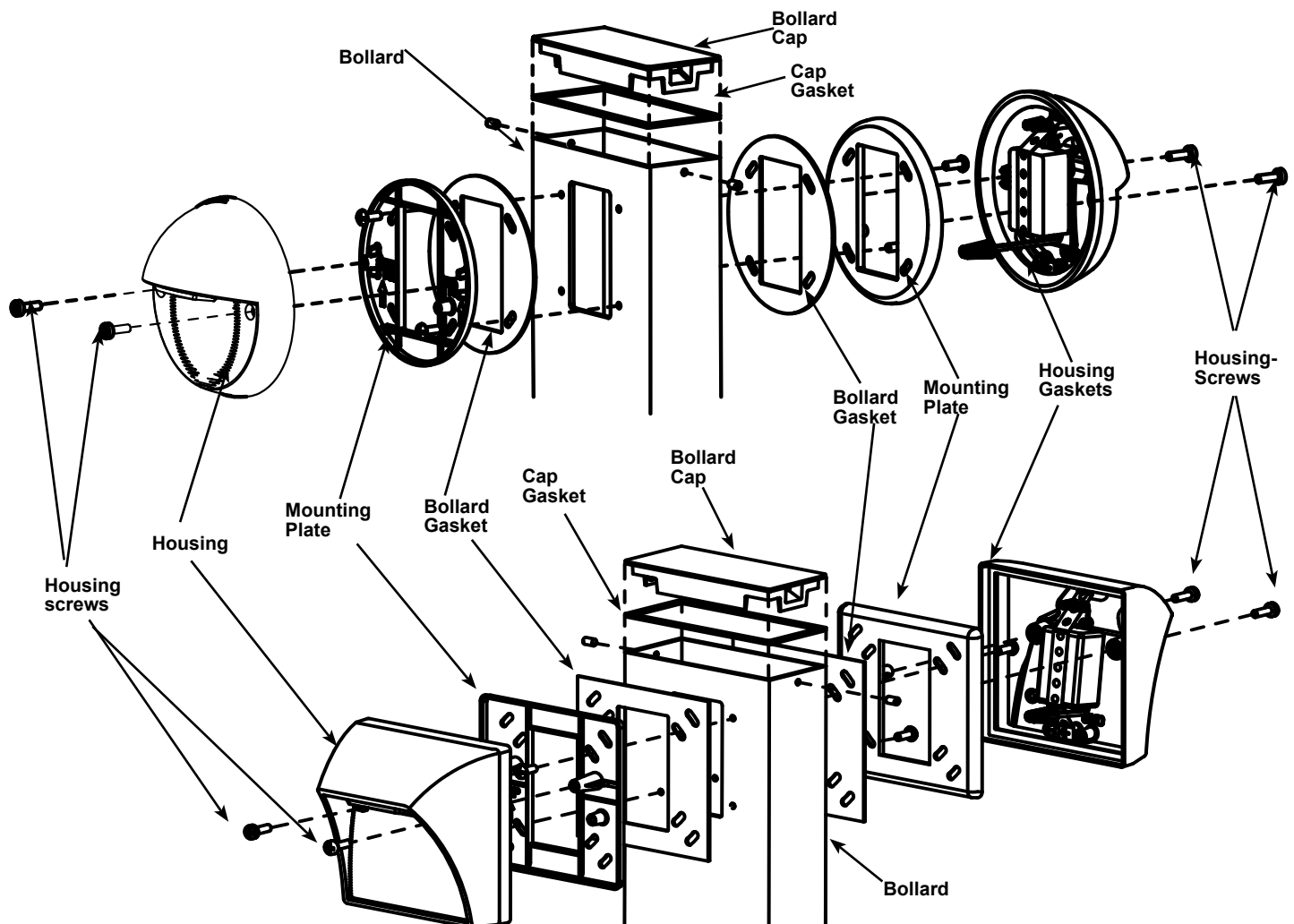


## BLED5 INSTALLATION INSTRUCTIONS

### MOUNTING FIXTURES

For BLED2x5 & BLEDR2x5, cutouts are provided on both sides of **Bollard**. Secure **Bollard** before installing the housings.

1. Loosen **Housing Screws** and remove **Mounting Plate**. Screws will remain in place with O-ring retaining gaskets. Fixture may hang from the tether while installing.
2. Place **Bollard Gasket** and **Mounting Plate** over cut out on **Bollard**.
3. Attach **Mounting Plate** with supplied mounting plate screws.
4. Pull supply wires from bollard through mounting plate and wire fixture as shown in the wiring section.
5. Check **Housing Gasket**. It should remain firmly around the inside of the **Housing**.
6. Align **Housing** to **Mounting Plate**.
7. Make sure all gaskets are properly seated. Tighten **Housing Screws**.
8. Follow same steps for second fixture.
9. Secure the **Cap Gasket** and tighten the **Bollard Cap** with provided screws.



## BLEDS INSTALLATION INSTRUCTIONS

### ACCESSORIES

Bollard base: BOLBASE  
Bollard base Retro kit: BOLBASE RETRO

Suffix "Y" = Warm 3000K LED  
Suffix "N" = Neutral 4000K LED,

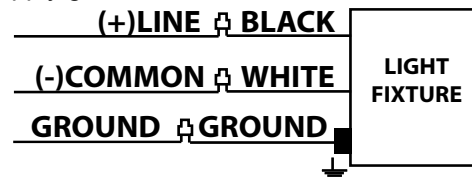
### TROUBLESHOOTING

1. Check that the line voltage at fixture is correct. Refer to wiring directions.
2. Is the fixture grounded properly?
3. Is the photocell is functioning properly (if used)?

### WIRING

Universal driver permits 120V to 240V, 50 or 60Hz.

1. Connect the black fixture lead to the (+) LINE supply lead.
2. Connect the white fixture lead to the (-) COMMON supply lead.
3. Connect the bare copper Ground wire from fixture to supply ground.

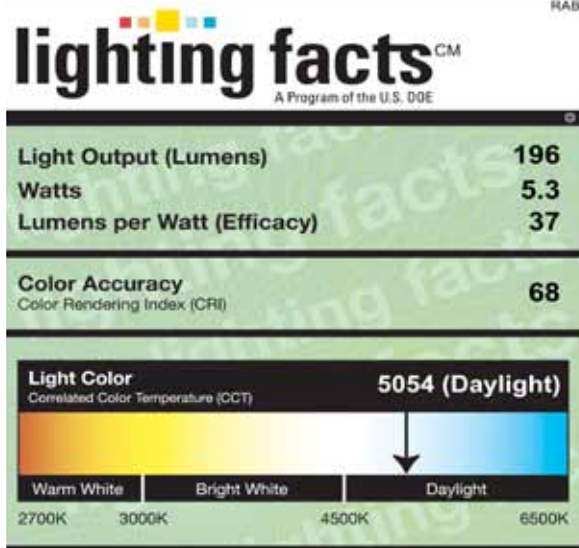


### CLEANING & MAINTENANCE

**CAUTION:** Be sure fixture temperature is cool enough to touch. Do not clean or maintain while fixture is energized.

1. Clean glass lens with non-abrasive glass cleaning solution
2. Do not open fixture to clean the LED.

### BLEDS Cool LED Square Steplight



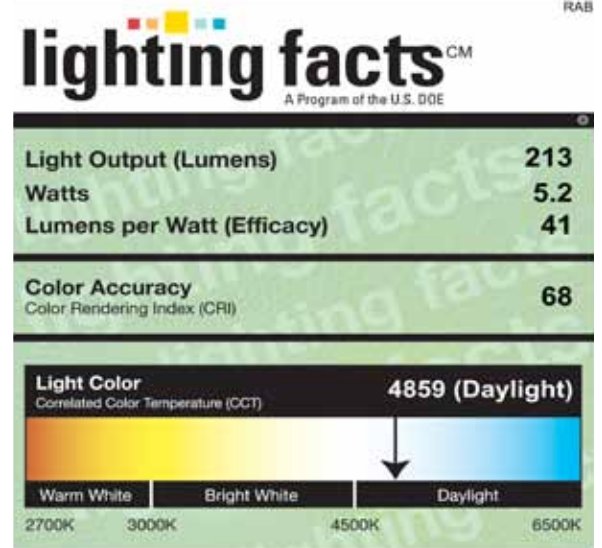
All results are according to IESNA LM-79-2008: Approved Method for the Electrical and Photometric Testing of Solid-State Lighting. The U.S. Department of Energy (DOE) verifies product test data and results.

Visit [www.lightingfacts.com](http://www.lightingfacts.com) for the Label Reference Guide.

Registration Number: WVMA-BX5KZF  
Model Number: SLED5

**SLED Round:** US pat. D612,974, CA Pat. pending, CN Pat. pending  
**SLED Square:** US pat. D612,975, CA Pat. pending, CN Pat. pending

### BLEDR5 Cool LED Round Steplight



All results are according to IESNA LM-79-2008: Approved Method for the Electrical and Photometric Testing of Solid-State Lighting. The U.S. Department of Energy (DOE) verifies product test data and results.

Visit [www.lightingfacts.com](http://www.lightingfacts.com) for the Label Reference Guide.

Registration Number: WVMA-P84BYF  
Model Number: SLEDR5

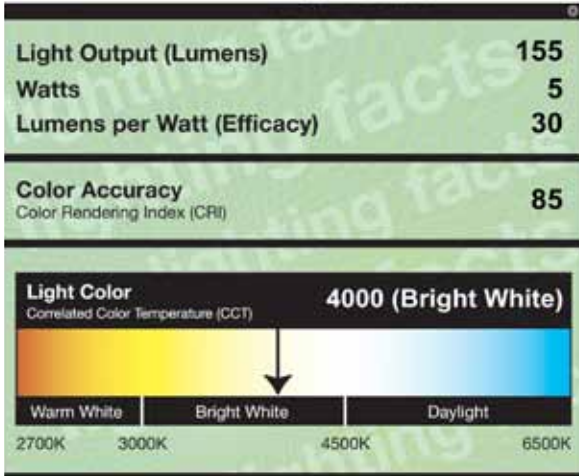
Note: These instructions do not cover all details or variations in equipment nor do they provide for every possible situation during installation, operation or maintenance.

# BLED5 INSTALLATION INSTRUCTIONS

## BLED5N Neutral LED Square Steplight

RAB

**lighting facts**  
A Program of the U.S. DOE



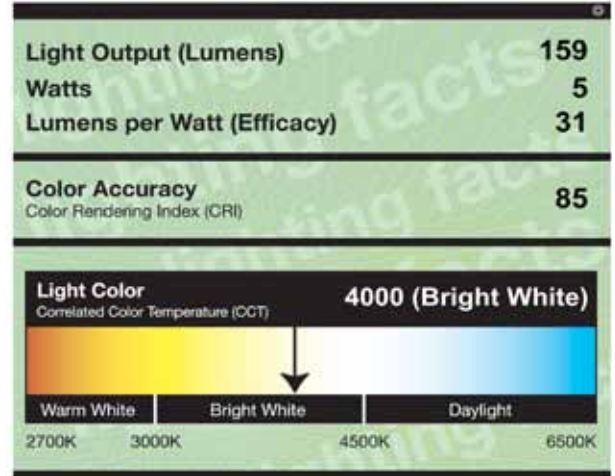
All results are according to IESNA LM-79-2008: Approved Method for the Electrical and Photometric Testing of Solid-State Lighting. The U.S. Department of Energy (DOE) verifies product test data and results.

Visit [www.lightingfacts.com](http://www.lightingfacts.com) for the Label Reference Guide.

## BLEDR5N Neutral LED Round Steplight

RAB

**lighting facts**  
A Program of the U.S. DOE



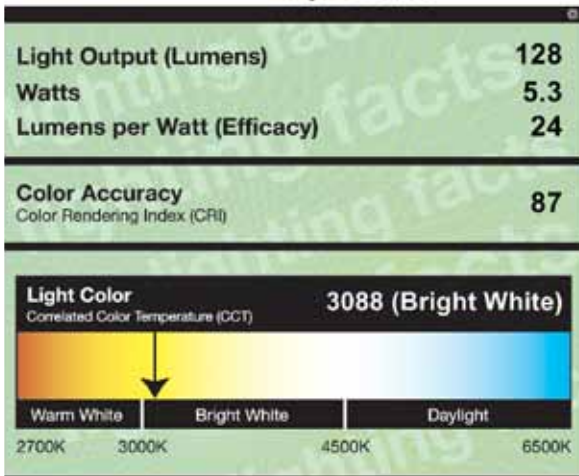
All results are according to IESNA LM-79-2008: Approved Method for the Electrical and Photometric Testing of Solid-State Lighting. The U.S. Department of Energy (DOE) verifies product test data and results.

Visit [www.lightingfacts.com](http://www.lightingfacts.com) for the Label Reference Guide.

## BLED5Y Warm LED Square Steplight

RAB

**lighting facts**  
A Program of the U.S. DOE



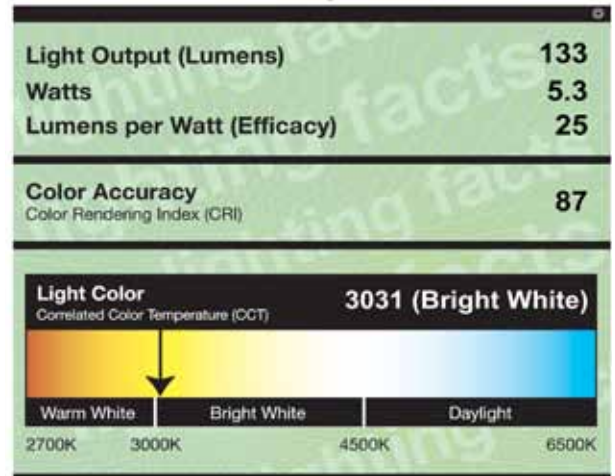
All results are according to IESNA LM-79-2008: Approved Method for the Electrical and Photometric Testing of Solid-State Lighting. The U.S. Department of Energy (DOE) verifies product test data and results.

Visit [www.lightingfacts.com](http://www.lightingfacts.com) for the Label Reference Guide.

## BLEDR5Y Warm LED Round Steplight

RAB

**lighting facts**<sup>CM</sup>  
A Program of the U.S. DOE



All results are according to IESNA LM-79-2008: Approved Method for the Electrical and Photometric Testing of Solid-State Lighting. The U.S. Department of Energy (DOE) verifies product test data and results.

Visit [www.lightingfacts.com](http://www.lightingfacts.com) for the Label Reference Guide.

## BLED5 INSTALLATION INSTRUCTIONS

### ANCHOR BOLT TEMPLATE FOR BLED BOLLARD

Confirm dimensions before using as a template. If possible use the actual mounting plate as your template.

