



MR16 Gimbal Ring

LAMP WATTAGE

- (1) 50MR16ES 120V GU 10.0 (included with fixture)
- (1) 50MR16 12V GU 5.3 (not included)
- (1) 75MR16 12V GU 5.3 (not included)

DESCRIPTION

Line or low voltage MR16 adjustable gimbal ring fixture. MR16 lamp clips directly into the adjustable gimbal ring. A steel "L" bracket holds the gimbal ring in place and allows for full lateral aiming adjustment. Tightening knob assures secure lock on angle position.

FEATURES

- Lightweight, strong steel construction
- Heat resistant Teflon coated wire lead
- Low profile gimbal ring with minimum profile
- Adjustable "L" bracket for precision aiming
- High-strength stainless steel electrical contacts
- One or two circuit track capable

GIMBAL RING

.030 Baked enamel finished steel ring. High-tension stainless steel spring secures MR16 light source.

"L" BRACKET MOUNT

.085 Rigid steel bracket connects fixture housing to electrical contact head. Plastic angle tightening knob maintains clean, decorative appearance of the fixture and provides secure angle position.

TRANSFORMER (NTL FIXTURES ONLY)

Solid state electronic transformers provide noise-free voltage reduction and operation. If dimming, use electronic low voltage rated only dimming controls.

NTL-207:

Integral Unit - 120V/60Hz Input; 12V Output; 50VA Max. Load

NTL-207/75:

Integral Unit - 120V/60Hz Input; 12V Output; 75VA Max. Load

NTL-2207 (requires separate transformer):

External Unit - NTL-2200/50: 120V/60Hz Input; 12V Output; 50VA Max. Load

External Unit - NTL-2200/75: 120V/60Hz Input; 12V Output; 75VA Max. Load

WIRING

Teflon coated wire lead connects socket and housing to electrical contact head. Teflon coating is durable and resists heat degradation from lamp and housing radiation.

SOCKET

Porcelain socket for GU 10.0 120V MR16ES lamp, 50 watt maximum; porcelain socket for GU 5.3 12V MR16 lamp.

LAMP SHIELD

High temperature glass shield included.



PRODUCT MATRIX

CATALOG NUMBER	FINISH	BASE	WATT	VOLT	INTEGRAL TRANSFORMER	LAMP INCLUDED*
NTL-207	B,W	GU 5.3	50	12	YES	NO
NTL-207/75	B,W	GU 5.3	75	12	YES	NO
NTL-2207	B,W	GU 5.3	75	12	NO**	NO
NTH-697	B,W	GU 10.0	50	120	N/A	YES

* MR16ES source included only with 50 watt, 120 volt line voltage fixtures. Lamps are not included with low voltage fixtures.

** NTL-2207 requires purchase of NTL-2200 transformer unit for operation.

DIMENSIONS

NTL-207 / NTL-207/75

A: Diameter	2-5/8"	(67 mm)
B: Length	2-1/8"	(54 mm)
C: Extension	5-1/2"	(140 mm)

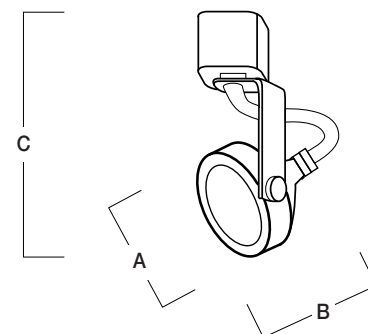
NTL-2207*

A: Diameter	2-5/8"	(67 mm)
B: Length	2-1/8"	(54 mm)
C: Extension*	6-1/4"	(159 mm)

NTH-697

A: Diameter	2-5/8"	(67 mm)
B: Length	2-1/8"	(54 mm)
C: Extension	4-7/8"	(124 mm)

* Extension includes NTL-2200 transformer which is required for use with NTL-2207



LOW VOLTAGE MR16 GU 5.3 VERSUS LINE VOLTAGE MR16ES GU 10.0

FEATURES	120V MR16	12V MR16
Standard Incandescent Dimming	YES	NO
Requires Electronic Low Voltage Control	NO	YES
Wide Variety of Reflector Angles	NO	YES
Center Beam Candle Power (CBCP)*	1400	3000
Lamp Life**	2000+	3000+
Transformer Required	NO	YES

* Based on 50W, 25° Beam Spread.

** Lamp life is in estimated hours. Nora does not guarantee the longevity of lamp sources.



MR16 Gimbal Ring

CONTACT HEAD ASSEMBLY

Three .030 stainless steel contacts mounted in high heat rated plastic housing.

ONE/TWO CIRCUIT CONVERSION

Positive contact (opposite neutral and ground contacts) is preset to "down" position at factory, but may be raised to the higher position to install onto the second circuit of Nora Lighting NT-2300 series two-circuit track.

FINISHES

White or Black heat rated baked enamel paint. Custom painting or anodizing for special applications is also available. Custom finishes will require lead times that vary depending on vendor schedules. Please consult factory for quotation, and provide either a Dunn Edwards number or color chip for exact matching.

COMPATIBILITY

Nora track fixtures are interchangeable with Halo, Catalina, Hampton Bay, Halo-Edison, or any other brands configured to Halo track system design. Note: fixtures may not be compatible with non-Nora transformers or monopoint adapters.

UL LISTED

UL Listed as track lighting fitting

ACCESSORIES

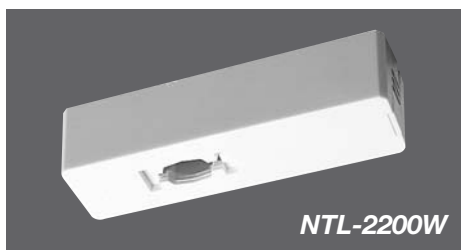
Transformers (required for NTL-2207)

50VANTL-2200/50(B,W)

75VANTL-2200/75(B,W)

FiltersNM-110 (See accessories page)

Custom Finishes ...Consult Factory



NTL-2200W