

## Wet Location Fluorescent T8

### Application

The Wet Location fixture is IP65 and IP67 rated, dust and moisture-resistant, making it ideal for harsh environments where humidity or moisture is present. Primary applications include:

- Food processing facilities
- Kitchens
- Public Areas
- Subways
- Schools
- Parking garages
- Gas Stations
- Government facilities
- Industrial facilities

### Description

The full body assembly accommodates either T8 lamps. The gasketed enclosure is constructed of a fiberglass upper body and acrylic diffuser, with a continuous poured gasket. The diffuser and upper components are locked by retaining latches, which ensures a tight seal. Sockets include secure positioning rotating collars.

### Reflector Optics

The superior beam spread optics are ideal for an open area general lighting. The Wet Location fixture comes standard with a white channel cover (WA), and is available using a 95% reflectance specular aluminum (SA) Miro®4 reflector, which has a 25 year warranty.

### Electrical

All ballasts are class P rated and UL/CUL listed. Our ballasts are also thermally protected, sound rated and tightly secured by mounting bolts.



### Wet Location Fluorescent T8 Series

#### Maintenance

No tools required for lamp and ballast access.

#### Installation

Suspension by chain, cable or hook with appropriate accessories.

#### Warranty

One year warranty against defect in manufacturing.

#### Listing

UL/CUL Listed - Suitable for damp locations.

### Catalog Ordering Matrix

Family	Reflector Distribution	Lamp Quantity	Lamp Type	Voltage	Ballast Factor	Specific Ballast	Options
WL4 - 4' Wet Location	WA - Wide Distribution	1 (4' Fixture Only)	28 - (T8 28W)	UNI - (120-277)	H - (T8 High)	Leave Blank - (TCP)	(See Below)
WL8 - 8' Wet Location	SA - Narrow Distribution	2 (4' or 8' Fixture)	32 - (T8 32W)	347	N - (T8 Normal)	GE - (GE)	
		3 (4' Fixture Only)		480	L - (T8 Low)	ADV - (Advance)	
		4 (8' Fixture Only)			HPRS -	ULT - (Universal)	
		6 (8' Fixture Only)			(T8 H Program Rapid Start)	SYL - (Sylvania)	Must provide ballast part number on order for specific ballast

### OPTIONS

#### Power Cords

- 2P - 120V, 15A, 8' Power cord w/ straight blade plug
- 3P - 120V, 15A, 8' Power cord w/ twist lock plug
- 4T - 120V, 20A, 10' Power cord w/ twist lock plug
- 11P - 208V, 15A, 8' Power cord w/ straight blade plug
- 9T - 208V, 20A, 8' Power cord w/ twist lock plug
- 8P - 277V, 20A, 8' Power cord w/ straight blade plug
- 10P - 277V, 20A, 15' Power cord w/ straight blade plug
- 10T - 277V, 15A, 10' Power cord w/ twist lock plug
- 10T2 - 277V, 20A, 10' Power cord w/ twist lock plug
- 6C - 120V-300V rated 6' Power cord only. No plug
- 10C - 120V-300V rated 10' Power cord only. No plug
- 10C6 - 120V-600V rated 10' Power cord only. No plug
- 20C - 120V-300V rated 20' Power cord only. No plug
- 6W - 600V rated 6' flexible metal conduit fixture whip
- 6C4 - 120V-300V 6' Power cord only, 4 wire. No plug
- 20C4 - 120V-300V 20' Power cord only, 4 wire. No plug
- 8T - 480V, 20A, 8' Power cord w/ L8-20 twist lock plug

#### Occupancy Sensors

- OSWL3 - Occupancy sensor w/ bracket for Wet Location, Low Bay
- OSWL4 - Occupancy sensor w/ bracket for Wet Location, High Bay

Use a program rapid start ballast with occupancy sensor. EcoVations is not responsible for lamps failing prematurely due to an occupancy sensor being used with an instant start ballast.

#### Emergency Ballasts

- 20B1 - TCP 450 LMS 90 min (T8)
- 20B6 - TCP 700 LMS 90 min (T8)
- 20B5 - TCP 1400 LMS 90 min (T8)
- B1 - 400 LMS 90 min (T8)
- B7 - 550 LMS 120 min (T8)
- B9 - 550 LMS 90 min (T8)
- B6 - 650 LMS 90 min (T8)
- B5 - 1350 LMS 90 min (T8)

#### Emergency Ballast Notes:

Orders with an emergency ballast must include what voltage is to be used (i.e. 120V). See Emergency Ballast Spec Sheets for details.

#### Lamps Installed in Job Pack

- 730 - T8 Lamps
- 735 - T8 Lamps
- 741 - T8 Lamps
- 830 - T8 Lamps
- 835 - T8 Lamps
- 841 - T8 Lamps
- 850 - T8 Lamps
- 865 - T8 Lamps
- 830HL - T8 Lamps
- 835HL - T8 Lamps
- 841HL - T8 Lamps
- 850HL - T8 Lamps
- 865HL - T8 Lamps

#### Mounting

Supplied with a stainless steel mounting bracket.

#### Special Mounting

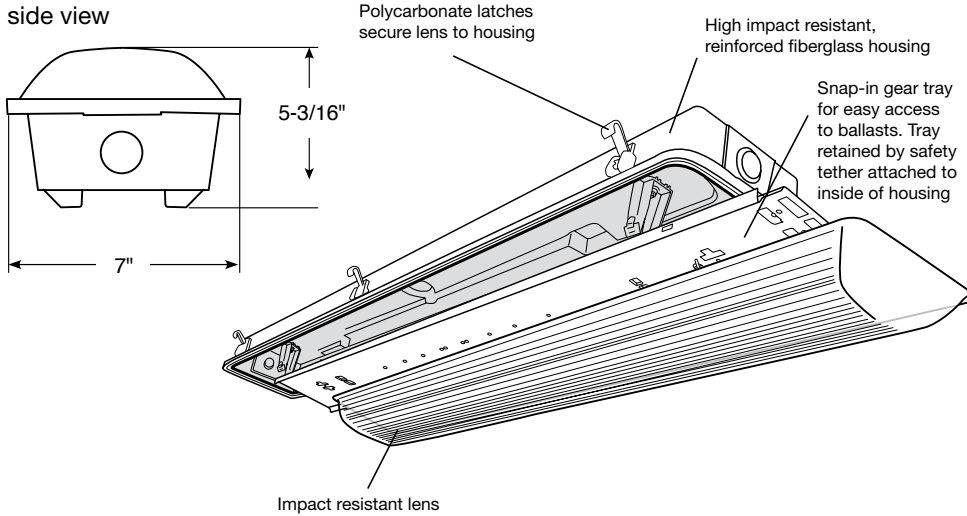
- EZHANGER - 15' adjustable aircraft cable hanging kit
- 12Pendantkit - Mounting kit for 1/2" pendants
- 34Pendantkit - Mounting kit for 3/4" pendants
- LHKIT - Single Point Hook Mounting Kit complete

† If a desired lamp and/or ballast is needed in an EcoVations linear fluorescent fixture, please provide a spec sheet when consulting with your local sales rep. The sales rep will provide a price to use the desired lamp and/or ballast.

EcoVations will install supplied modular wire cords

# Wet Location Fluorescent T8

## Dimensions & Construction



## Photometric Report

### 48" Wet Location Fixture, 3 - 32W

EcoVations Gasketed Luminaire with 3 - 32w lamps, lumen rating 2950 LMS.

#### Photometric Report

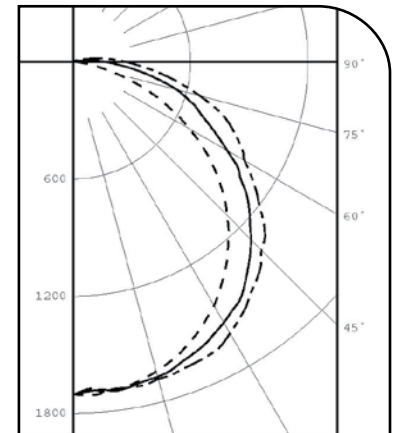
Efficiency (total) 0.58  
 Spacing Criterion (0-Deg) 1.3  
 Spacing Criterion (90-Deg) 1.4

#### Average Luminance (Candelas / Square Meter)

Angle	0	45.0	90
45	7417	8631	9134
55	6856	8591	8465
65	5746	7475	7918
75	3853	6704	7003
85	1524	4602	5371

#### Zonal Lumen Summary

Zone	Lumens	% Lamp	% Fixture
0-30	1367	13.4	23.2
0-40	2280	22.4	38.7
0-60	4184	41.1	71.0
0-90	5741	56.4	97.4
90-180	153	1.5	2.6
0-180	5894	57.9	100



### Coefficient of Utilization Table Effective Floor Cavity Reflectance = 20%

Pcc... Pw... RCR	80				70				50				30				10				0	
	70	50	30	10	70	50	30	10	70	50	30	10	70	50	30	10	70	50	30	10	0	0
0	69	69	69	69	67	67	67	67	63	63	63	63	60	60	60	60	58	58	58	58	56	56
1	62	59	56	53	60	57	54	52	54	52	50	50	52	50	48	48	49	48	47	47	45	45
2	56	50	46	42	54	49	45	42	47	43	41	41	45	42	39	39	43	40	38	38	37	37
3	50	44	39	35	49	43	38	34	41	37	34	34	39	36	33	33	37	34	32	32	31	31
4	46	39	33	29	45	38	33	29	36	32	28	28	35	31	28	28	33	30	27	27	26	26
5	42	34	29	25	41	34	29	25	32	28	24	24	31	27	24	24	30	26	23	23	22	22
6	39	31	25	22	38	30	25	21	29	24	21	21	28	24	21	21	27	23	20	20	19	19
7	36	28	23	19	35	27	22	19	26	22	19	19	25	21	18	18	24	21	18	18	17	17
8	34	25	20	17	32	25	20	17	24	20	17	17	23	19	16	16	22	19	16	16	15	15
9	31	23	18	15	30	23	18	15	22	18	15	15	21	17	15	15	21	17	15	15	13	13
10	29	21	17	14	28	21	17	14	20	16	13	13	20	16	13	13	19	16	13	13	12	12

Photometric Data by Independent Testing Lab ITL Boulder.