

TUNGSTEN HALOGEN LAMPS • MR-16 REFLECTOR

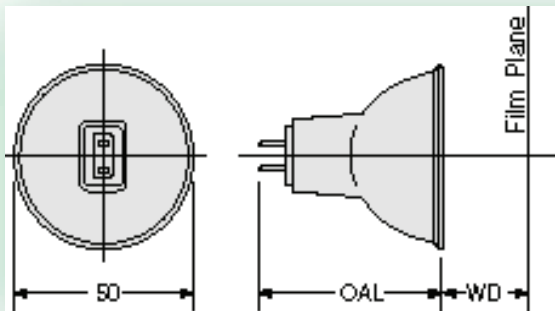
JCR SERIES

- Focused Beam for Optical Applications
- Only for Use in Approved Enclosed Halogen Fixtures
- Oval 2-Pin Base - GY5.3, 2-Pin Base - GZ6.35
- 50mm Dichroic Coated Reflector

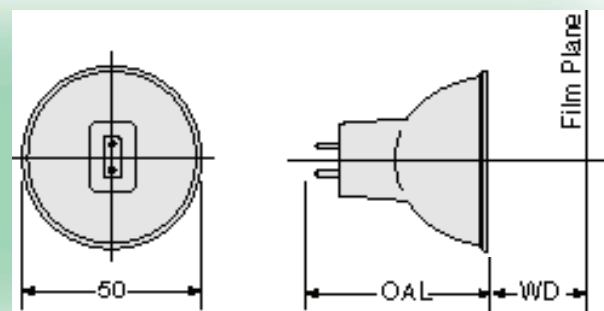
- Operate Base Down to Horizontal



Watts	Ushio Ordering Code	Ushio Lamp Code	Dimensions		Reflector Type	Filament Type	Working Distance mm	Color Temp K	Avg Life h	Burn Position
			Dia mm	OAL mm						
Oval 2-Pin Base – GY5.3										
85	1000357	ESH, JCR82V-85W	50.67	44.5	Stippled	CC-8	152.0	2950	250	BD/Hor
85	1000358	ESJ, JER82V-85W	50.67	44.5	Specular	CC-8	32.0	3350	40	BD/Hor
150	1000356	ESD, JCR120V-150W	50.67	44.5	Stippled	CC-8	44.5	3350	12	BD/Hor
150	1000940	JCR120V-150W/B	50.67	44.5	Stippled	CC-8	—	3050	100	BD/Hor
200	1000441	EYA, JCR82V-200W	50.67	44.5	Faceted	CC-8	38.1	3300	50	BD/Hor
250	1000386	EVW, JCR82V-250W	50.67	44.5	Faceted	CC-8	298.5	3300	50	BD/Hor
250	1000333	ENH, JCR120V-250W	50.67	44.5	Faceted	CC-8	152.4	3250	175	BD/Hor
250	1000379	ETJ, JCR120V-250W	50.67	44.5	Specular	CC-8	36.5	3250	175	BD/Hor
250	1000422	EXX, JCR120V-250W	50.67	44.5	Stippled	CC-8	298.5	3300	75	BD/Hor
300	1000332	ENG, JCR120V-300W	50.67	44.5	Stippled	CC-8	152.4	3450	15	BD/Hor
300	1000458	EYK, JCR120V-300W	50.67	44.5	Specular	CC-8	31.7	3300	60	BD/Hor
300	1000321	ELH, JCR120V-300W	50.67	44.5	Stippled	CC-8	154.3	3350	35	BD/Hor
300	1003020	ELH-5, JCR125V-300W	50.67	44.5	Stippled	CC-8	152.4	3350	35	BD/Hor
360	1000542	FLE, JCR82V-360W U/D	50.00	44.5	Faceted	CC-8	209.6	3300	75	BD/Hor
360	1000337	ENX, JCR82V-360W	50.67	44.5	Faceted	CC-8	298.5	3300	75	BD/Hor
360	1000338	ENX-5, JCR86V-360W	50.67	44.5	Faceted	CC-8	298.5	3300	75	BD/Hor
350	1000348	EPW, JCR100V-360W	50.67	44.5	Stippled	CC-8	298.5	3300	75	BD/Hor
410	1000636	FXL, JCR82V-410W	50.67	44.5	Faceted	CC-8	298.5	3300	75	BD/Hor
2-Pin Base – GZ6.35										
55	1000945	JCR9.5V-55W	50.0	42.0	Specular	C-8	—	3000	1500	BD/Hor
75	1000270	EFN, JCR12V-75W	50.0	42.0	Specular	C-6	32.0	3400	50	BD/Hor
100	1003003	JCR12V-100W/H10	50.0	42.0	Specular	C-8	36.0	3100	1000	BD/Hor
100	1000941	JCR12V-100WB/XX	50.0	44.5	Specular	C-6	32.0	3100	1000	BD/Hor
100	1000271	EFP, JCR12V-100W	50.0	42.0	Specular	C-6	32.0	3400	50	BD/Hor
150	1000272	EFR, JCR15V-150W	50.0	42.0	Specular	C-8	32.0	3400	50	BD/Hor



GY5.3



GZ6.35