



DESCRIPTION

The **I-42-EM-A** from IOTA Engineering is a UL Listed fluorescent emergency ballast that allows the same fixture to be used for both normal and emergency operation. In the event of a power failure, the **I-42-EM-A** switches to the emergency mode and operates **one or two** of the existing lamps for **90 minutes**. The unit contains a battery, charger, and inverter circuit in a single can. The **I-42-EM-A** can be used with most 10W-42W twin, triple, quad tube, 2D and Straight **4-pin** compact fluorescent lamps and 18W-36W long compacts, with a total initial output of up to **650 lumens** for one or two lamps. The **I-42-EM-A** utilizes **AC output** to ensure compatibility with new lamp technologies, and features lamp selector leads for optimizing light output for designated lamp types. The **I-42-EM-A** features dual flex design for connecting wiring to the junction box and test accessories, and is suitable for use in damp locations.

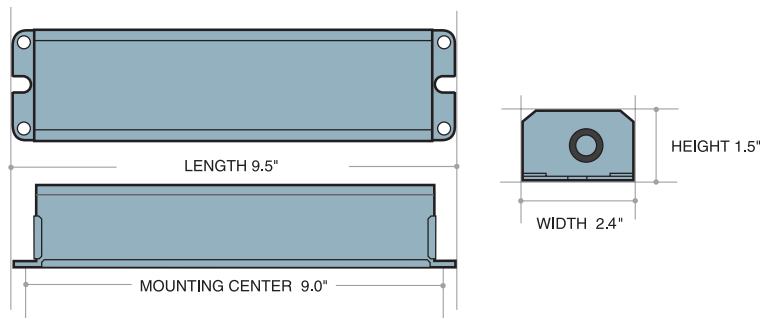
SPECIFICATIONS

Input Voltage	(Dual) 120/277V, 60Hz
Input Wattage	3.5 Watts
Lamps Operated	10W-42W 4-pin Rapid Start Twin, Triple, Quad Tube, 2D & Straight Compact Lamps, and 18W-36W Long Compact Lamps
Emergency Operation*	(1) 10W-42W or (2) 10W-18W 90 minutes *Long Compact - (1) lamp only
Initial Illumination	650 lumens (2) lamps 325 lumens each lamp
Operating Temp	0° to 50° C
Battery	24 Hour Recharge 7-10 Year Life Expectancy
Weight	4.4 lbs.
Approval	UL and CUL Listed



DIMENSIONS





9.5" x 2.4" x 1.5" (mounting center 9.0")



INITIAL LUMEN OUTPUT

650 Lumens

LAMPS OPERATED*

-  (1) 10W-42W 4-PIN Compact
-  (2) 10W-18W 4-PIN Compact
-  (1) 18W-36W Long Compact
-  Select LED Retrofit Tubes

*Refer to Lumen Reference Chart and LED Retrofit Reference Chart for list of compatible lamps.

PRODUCT ADVANTAGES

- **AC output for compatibility with Low-Mercury Content Amalgam lamps**
- **Time Delay feature for compatibility with End-of-Lamp-Life Circuitry**
- **Open Circuit Isolation protects unit when load is absent**

FEATURES

- Will cold start and operate all specified lamps
- Long life high temperature recyclable Ni-Cad battery
- Galvanized steel case
- Includes test switch and charge indicator accessory kit
- For use with switched or unswitched fixtures
- **5-Year Warranty.** See Warranty Page for details.
- Lamp selector leads optimize light output for designated lamp type
- Rated for use in damp locations and plenum fixtures
- Meets or exceeds all NEC, IBC, and Life Safety Code Emergency Lighting Requirements
- RoHS Compliant
- International Voltage Models available

FLUORESCENT

COMPACT



I-42-EM-A

FLUORESCENT EMERGENCY BALLAST FOR 4-PIN LAMPS

OPTIONS

TEST KIT CONFIGURATION

- TBTS
- TWO-PIECE TEST SWITCH AND CHARGE INDICATOR

MOUNTING CONFIGURATION

- EM-A

VOLTAGE RATINGS

- 120/277V 60HZ (STANDARD)
- 220V 50HZ
- 240V 60HZ
- 120V 50HZ

INITIAL LUMEN RATINGS

LAMP	1 LAMP	2 LAMPS
13W PL CF 4-PIN	350	400
18W PL CF QUAD 4-PIN	350	550
26W PL CF QUAD 4-PIN	425	
32W PL CF QUAD 4-PIN	600	
42W PL CF QUAD 4-PIN	750	
F282 D/42 4-PIN	475	500
F382 D/42 4-PIN	500	650
18W LONG COMPACT	500	
24W LONG COMPACT	575	
36W LONG COMPACT	650	

LED Retrofit Tube Options

This IOTA Emergency Ballast is UL Listed for emergency operation of select LED retrofit tube applications. For a complete list of acceptable LED retrofit tube options, refer to the **IOTA LED Retrofit Tube Reference Chart** at www.iotaengineering.com/IOTA-LED-Retrofit.pdf

I-42-EM-A SAMPLE SPECIFICATION

Emergency lighting shall be provided by using a standard fluorescent fixture equipped with an **IOTA I-42-EM-A** fluorescent emergency battery pack. The **I-42-EM-A** shall consist of a high temperature, maintenance-free nickel cadmium battery, charger board and an electronic circuit enclosed in a 9.5" x 2.4" x 1.5" vandal-resistant galvanized steel case. The unit is designed for installation on top of the fixture and is equipped with 1/2" flex for wiring to the fixture or ballast compartment. A combination one-piece long-life LED charge indicator light and test switch shall be included. The fluorescent EM pack shall operate one 10w-42w or two 10w-18w twin, triple, quad tube, 2D or straight **4-pin** fluorescent lamps, or one 18w-36w long compact fluorescent lamp. The **I-42-EM-A** shall provide reduced illumination for a minimum of 90 minutes in the emergency mode with a total initial output of 650 lumens. **The I-42-EM-A will operate the lamp(s) with AC output** and will feature lamp selector leads for optimizing light output for the designated lamp type. The **I-42-EM-A** shall have 3.5 watts of input power and a battery capacity of 14.4 watt hours. The **I-42-EM-A** is UL Listed and meets or exceeds all NEC and Life Safety Code Emergency Lighting Requirements, and rated for use in damp locations. The **I-42-EM-A** is warranted for a full five (5) years from the date of purchase.

REMOTE MOUNTING

When battery packs are remote mounted, consult Customer Service for the maximum allowable distance between the battery pack and lamp(s).