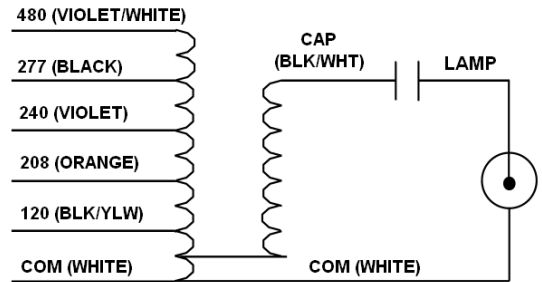
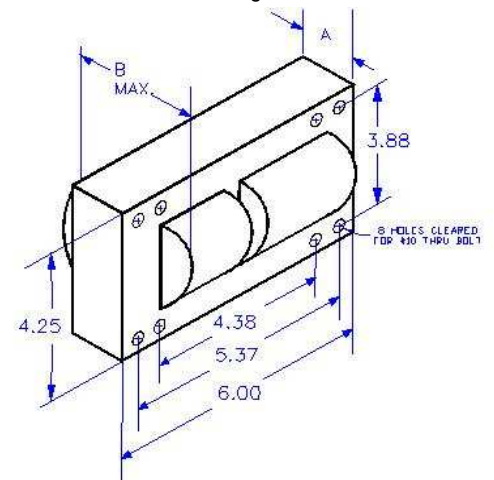


Input Volts		120	208	240	277	480
Circuit Type	CWA					
Power Factor	> 90%					
Regulation						
Line Volts	±10					
Lamp Watts	- 10 % + 10 %					
Line Current (Amps)						
Operating		9.2	5.3	4.6	4.0	2.3
Open Circuit		3.9	2.2	2.0	1.7	1.0
Starting		8.5	4.9	4.2	3.7	2.1
Recommended Fuse		25	15	15	9	6
UL Temperature Ratings						
Insulation Class	H(180°C)					
Coil Temperature Code	D	D	D	D	D	D
Benchtop Coil Rise Primary	< 115	< 115	< 115	< 115	< 115	< 115
Benchtop Coil Rise Secondary	< 115	< 115	< 115	< 115	< 115	< 115
Input Watts		1100	1100	1100	1100	1100
NOM Open Circuit Volts	420					
Current Crest Factor	1.6					
Input Voltage at Lamp Dropout		68	120	131	185	294
Min Ambient Starting Temp.	-20F -30°C					
High Potential Test (Volts)						
1 Minute	2000					
1 Second	2400					
Open Circuit Voltage Test (Volts)						
Open Circuit Voltage	340 - 470					
Input Current	min	2.9	1.7	1.5	1.3	0.8
	max	4.8	2.8	2.5	2.1	1.3
Short Circuit Current Test (Amps)						
Secondary Current	4.2 - 6.5					
Input Current	min	6.4	3.7	2.8	2.8	1.6
	max	10.6	6.1	4.6	4.6	2.6
Core and Coil Specifications						
Dimension A"	3.2					
Dimension B"	5.2					
Weight (lbs.)	21					
Lead Lengths (in)	12					
Capacitor Specifications						
Microfarads	24					
Volts (min.)	480					
	Oval OIL Filled DRY Film					
Case Size (in.)	1.75 Not Available					
Height (in.)	3.88					
Temp Rating °C	90					
Starter Specifications						
Model Number	Not Used					
	BTL					
Temp Rating °C						

Wiring Diagram Number
1091-912000-018



Outside Dimensions Drawing



Specifications subject to change without notice.

Howard Industries, Inc. Ballast Products Division P.O. Box 1590 Laurel, MS 39441
Phone: 1-800-956-3456 Fax: (601) 422-1652 www.howardlightingproducts.com