

For Automatic Operation:

1. Depress and slide ON and OFF trippers to desired timings.
2. Rotate Dial (Clockwise only) until exact time of day is aligned with Time indicator line.

To Discontinue Automatic Operation:

Gently pull center dial knob out (until click is heard).
 If Timer is in the "ON" position, light or appliance will stay on.
 If Timer is in the "OFF" position, light or appliance will stay off.
 To return to automatic operation push center dial knob back into original position.

For Manual Operation

Use manual control on front of panel as indicated. This will NOT effect next automatic operation.

INTERMATIC INCORPORATED

158EB12391

THIS IN-WALL TIMER. . . .

. . . is designed to be easily installed in an electrical junction box to replace a wall switch. Functioning as an "automatic" wall switch, it will follow a preset program and will repeat it every 24 hours. Nevertheless, the program can be easily changed, manually interrupted or suspended at any time.

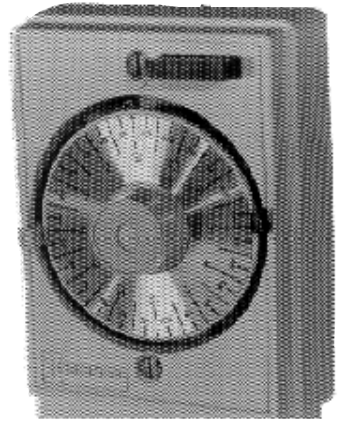
HOW TO INSTALL. . . .

1. Disconnect your electrical power for safety during installation.
2. Remove wall plate and disconnect light switch. **Make sure both "hot" and neutral wires are present in the junction box.** (See Fig. 1.). If both wires are not present, additional wiring will be necessary before installation can be completed.
3. Connect red timer wire to wire from fixture using wire connector. Connect black timer wire to the "hot" (usually black or red) wire in junction box using wire connector. Cut white wire in junction box (or open splice) and strip 1/2" of insulation on both wires. Connect white timer wire to white wires in junction box using wire connector. (See Fig. 2)
4. If the wall switch you are replacing had separate grounding conductors connected to the **GREEN** screw on the switch, make sure these wires are now securely connected to the **METAL** wall box, or, if your box is non-metallic (plastic) the wires are securely tied together.
5. Check that all wire connections are secure.
6. Place all wires inside junction box. Fit timer over junction box first, making sure that all wires and twist on wire connectors clear the back of timer motor. **DO NOT FORCE.** Next, install timer using (2) mounting screws furnished.
7. Reconnect your electrical power. Set timer - see operating instructions.

How to install and operate your NEW



24 HOUR automatic in-wall timer



model: E-1010

FOR SINGLE POLE WALL SWITCH APPLICATION/REPLACEMENT ONLY
 RATED: 15 AMP. MAXIMUM. 12 AMP. (1500 WATT) TUNGSTEN, 12 FULL LOAD AMPERES - 125 VOLTS, 60 HZ.

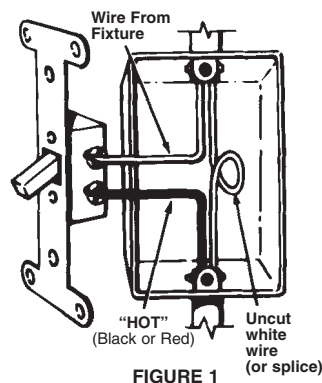


FIGURE 1

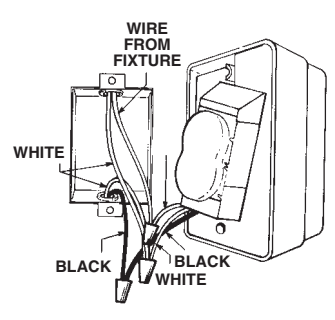


FIGURE 2

ONE YEAR LIMITED WARRANTY

If within the warranty period specified, this product fails due to a defect in material or workmanship, Intermatic Incorporated will repair or replace, at its sole option, the unit free of charge. This warranty applies only to the original purchaser and is not transferable. This warranty does not apply to: (a) damage caused by accident, abuse, mishandling, dropping, acts of God, or any negligent use; (b) units which have been subject to unauthorized repair, opened, taken apart or otherwise modified; (c) units not used in accordance with instructions; (d) damages exceeding the cost of the product. Some states do not allow a limitation of damages, so the foregoing limitation may not apply to you. This warranty gives you specific legal rights and you may have other rights that vary from state to state.

INTERMATIC INCORPORATED WILL NOT BE LIABLE FOR INCIDENTAL OR CONSEQUENTIAL DAMAGES. THIS WARRANTY IS IN LIEU OF ALL OTHER EXPRESS OR IMPLIED WARRANTIES. ALL IMPLIED WARRANTIES, INCLUDING THE WARRANTY OF MERCHANTABILITY AND THE WARRANTY OF FITNESS FOR A PARTICULAR PURPOSE, ARE HEREBY MODIFIED TO EXIST ONLY AS CONTAINED IN THIS LIMITED WARRANTY, AND SHALL BE OF THE SAME DURATION AS THE WARRANTY PERIOD STATED ABOVE.

This warranty service is available by either (a) returning the product to the dealer from whom the unit was purchased, or (b) mailing postage prepaid to the nearest authorized service center listed. Please be sure to wrap the product securely when mailing to avoid shipping damage. This warranty is made by: Intermatic Incorporated/After Sales Service