

## IllumaTech™ Preset Slide and Rotary Controls

### APPLICATION

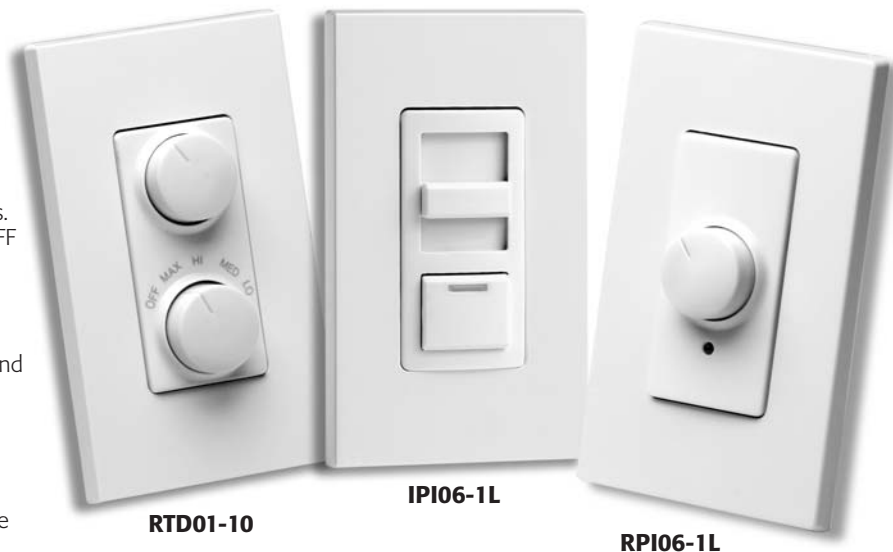
To simplify inventory, IllumaTech™ Slide and Rotary Controls are designed for both single pole (one location) and 3-way (multi-location) applications.

#### IllumaTech Preset Slide Controls

Preset Slide Controls feature a smooth, captured slide bar action for fine adjustment of lighting levels. An easy to use push button provides preset ON/OFF switching. Color change kits simplify inventory by diminishing the need for stocking separate devices in every color. IllumaTech slide controls include incandescent, magnetic, electronic low voltage and fluorescent lighting dimmers, as well as full-range and quiet fan speed controls.

#### IllumaTech Rotary Controls

With the ease of a traditional rotary dial and the contemporary look of Decora®, they're perfect for specifiers, lighting designers and engineers who require reliable performance. Rotary controls include push on/push off dimmers in illuminated and non-illuminated versions, as well as quiet fan speed controls and a combination dimmer/fan speed device.



### FEATURES

#### All IllumaTech Controls

- UL Listed (File #E-31373)
- CSA Certified (File #LR-3413)
- Provide single pole (one location) or 3-way (multi-location) lighting control when used with a 3-way switch
- Attractive Decora styling coordinates perfectly with Leviton's complete line of Decora wiring devices
- Compatible with Decora Plus screwless and Decora standard designer wallplates
- Built-in radio/TV interference filter
- Fit easily into a standard wallbox and are suitable for multi-gang installations
- Illumatech controls come packaged with six product options in each box for superior versatility; 3 changeable face plates and single pole or 3-way control
- Limited Five-Year Warranty
- RFI noise suppression

#### IllumaTech Preset Slide Controls

- Fluid slide movement allows fine adjustment of light level with minimal effort
- Captive wraparound slide bar remains securely attached
- Easy to use push-button switch with green LED locator for accessibility in the dark
- Push button switch acts as an air-gap switch completely disconnects power to unit for bulb changing or removal from service
- Power failure recovery ensures retention of last setting before power interruption
- Quiet 1.5 amp fan speed controls are ideal for libraries, home offices, bedrooms and any area where ceiling fan noise could become distracting. Full range 5 amp fan speed controls are also available
- Color change kits are self-aligning and automatically connect to slide mechanism when snapped onto dimmer
- Color change kits offer quick color changeover to contractors, increased decorating options to customers and simplify stocking inventory for distributors

#### IllumaTech Rotary Controls

- Rotary dial with contemporary Decora styling
- Quiet 1.5 amp fan speed controls are perfect for libraries, home offices, bedrooms and any area where ceiling fan noise could become distracting
- Dual fan speed control and dimmer is ideal for ceiling fans with built-in light fixtures
- Use with Leviton power extender to extend load capacity

### LEVITON SPECIFICATION SUBMITTAL

JOB NAME: <input type="text"/>	CATALOG NUMBERS: <input type="text"/>	
JOB NUMBER: <input type="text"/>	<input type="text"/>	<input type="text"/>



**IPI06-1L**



**IPX06-10**



**RPI06-1L**

## IllumaTech Preset Slide Controls

All IllumaTech Preset Dimmers provide single pole (one location) or 3-way (multi-location) control when used with a 3-way switch.

DESCRIPTION	CAT. NO.	RATING (For multi-gang installation, see derating chart)	COLOR CHANGE KIT*
Incandescent Dimmer with LED locator	IPI06-1L	600W-120VAC	X, Z
Incandescent Dimmer with LED locator	IPI10-1L	1000W-120VAC	X, Z
Magnetic Low Voltage Dimmer with LED locator	IPM06-1L	600VA (450W)-120VAC	X, Z
Magnetic Low Voltage Dimmer with LED locator	IPM10-1L	1000VA (800W)-120VAC	X, Z
Electronic Low Voltage Dimmer with LED locator; neutral required	IPE04-1L	400VA (320W)-120VAC	X, Z
Fluorescent Dimmer for Mark 10® Powerline Ballast, no LED; neutral required	IPX06-10	600VA-120VAC	X, Z
Fluorescent Dimmer for Mark 10® Powerline Ballast, no LED; neutral required	IPX10-10	1000VA-120VAC	X, Z
Fluorescent Dimmer for Mark 10® Powerline Ballast, no LED; neutral required	IPX06-70	600VA-277VAC	X, Z
Fluorescent Dimmer for Mark 10® Powerline Ballast, no LED; neutral required	IPX12-70	1200VA-277VAC	X, Z
Fluorescent Dimmer for Mark 7® 0-10V Ballast with LED locator; neutral required	IP710-DL	1200VA @ 120VAC 1500VA @ 277VAC	X, Z
Quiet Fan Speed Control with LED locator; neutral required	IPF01-1L	1.5A-120VAC	X, Z
Fully Variable Fan Speed Control with LED locator	IPF05-1L	5A-120VAC	X, Z

### Color Change Kits for IllumaTech Slide Controls

DESCRIPTION	CAT. NO.	COLOR*
Color Change Kit	IPKIT-00	W, I, A, T, G E, R, B
Color Change Kit; no LED	IPKIT-0N	W, I, A, T, G E, R, B
Color Change Kit for Fan Speed Control	IPOFK-00	W, I, A, T, G E, R, B

Mark 10® Powerline and Mark 7® 0-10V are registered trademarks of Advance Transformer Co.

## IllumaTech Decora® Rotary Controls

All IllumaTech Rotary Dimmers provide single pole (one location) or 3-way (multi-location) control when used with a 3-way switch.

DESCRIPTION	CAT. NO.	RATING	COLOR*
Rotary Incandescent Dimmer, single pole or 3-way, with LED locator	RPI06-1L	600W-120VAC	X, Z
Rotary Incandescent Dimmer, single pole or 3-way, no LED	RPI06-10	600W-120VAC	X, Z
Quiet Fan Speed Control, single pole, no LED	RTF01-10	1.5A-120VAC	X, Z
Rotary Dual Quiet Fan Speed Control and Dimmer, single pole, no LED	RTD01-10	1.5A Fan Control/ 300W Dimmer	X, Z

\* IllumaTech Colors: IllumaTech controls come packaged with three colors. Products with suffix (-X) include White, Ivory and Almond; products with suffix (-Z) include White, Ivory and Light Almond. Color Change Kits for IllumaTech Preset Slide Controls available in the following colors: White (-W), Ivory (-I), Almond (-A), Light Almond (-T), Gray (-G), Black (-E), Red (-R) and Brown (-B).

## SPECIFICATIONS

<b>Electrical:</b>	IllumaTech	<ul style="list-style-type: none"> <li>• Illumattech Preset Input 120VAC or 277VAC @ 60HZ</li> <li>• Rotary Input 120VAC @ 60HZ (LED Versions)</li> </ul>
<b>Mechanical:</b>	All IllumaTech IllumaTech Preset	<ul style="list-style-type: none"> <li>• LED will be illuminated when the load is OFF</li> <li>• Slide controls travel approximately 20mm</li> </ul>
<b>Environmental:</b>	All IllumaTech	<ul style="list-style-type: none"> <li>• Operating 0°C – 55°C</li> <li>• Non-operating 10°C – 85°C</li> <li>• Relative humidity, non-condensing 20% to 90%</li> </ul>

**Note:** Sharing a neutral wire may cause flickering. Connect all dimmers to the same phase or run a separate neutral to each phase. Consult Leviton Techline if problems persist.

**Caution on Retrofits:** When retrofitting Mark 10® *Powerline* dimming ballasts into fixtures that originally had Instant Start ballasts, the sockets MUST be replaced with Rapid Start sockets to allow proper dimmer operation and prevent damage to the dimming ballast. Refer to the instructions provided with the ballast and the Leviton dimmer.

Use Leviton Power Extenders to extend the load capacity of box mounted dimmers. Leviton Power Extenders are available for incandescent, magnetic low voltage, electronic low voltage, Mark 10® *Powerline* fluorescent dimming ballasts or equivalents and 0-10 VDC dimmable fluorescent ballasts such as Mark 7® *0-10V*, OSRAM Sylvania Quicktronic® Helios™ or equivalent ballasts.

## IllumaTech Controls Maximum Load for Multi-Gang Applications

In multi-gang applications derating may be required in accordance with the following charts. For controls with side sections fin removal may be required (consult instruction sheets for further details).

### IllumaTech Preset Slide Controls

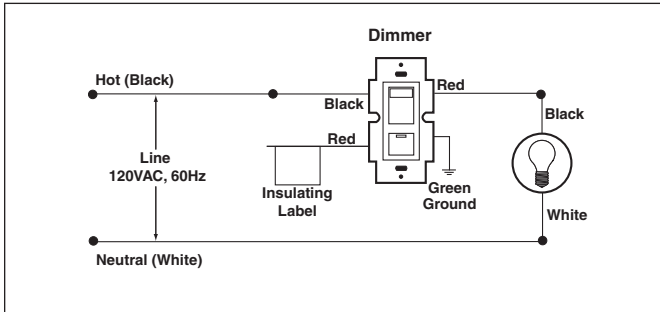
Cat. No.	Single	2-gang	3-gang or more
IPI06-1L	600W	500W	400W
IPI10-1L	1000W	800W	700W
IPE04-1L	400VA (320W)	350VA (280W)	250VA (200W)
IPM06-1L	600VA (450W)	500VA (375W)	400VA (300W)
IPM10-1L	1000VA (800W)	800VA (640W)	700VA (560W)
IP710-DL	1200VA/1500VA	1200VA/1500VA	1200VA/1500VA
IPX06-10	600VA	500VA	400VA
IPX10-10	1000VA	800VA	700VA
IPX06-70	600VA	600VA	600VA
IPX12-70	1200VA	1200VA	1200VA
IPF01-1L	1.5A	1.5A	1.5A
IPF05-1L	5A	4.1A	3.3A

### IllumaTech Rotary Controls

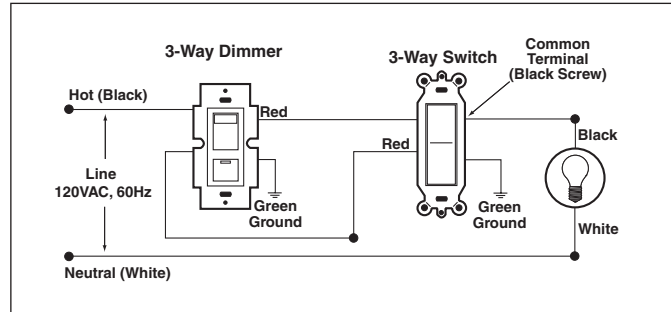
Cat. No.	Single	2-gang	3-gang or more
RP106-IL	600W	500W	400W
RPI06-10	600W	500W	400W
RTF01-10	1.5A	1.5A	1.5A
RTD01-10	300W/1.5A	300W/1.5A	300W/1.5A

## WIRING DIAGRAMS

### Single-Location Control Application

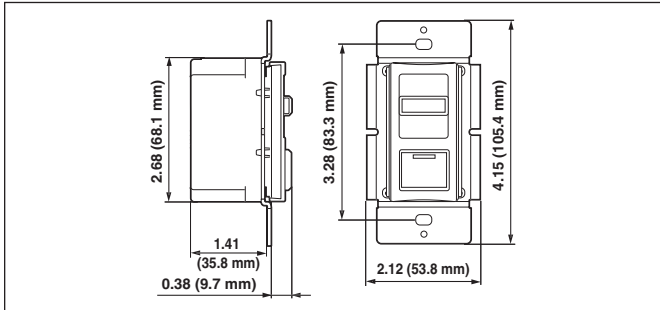


### Two-Location Control Application

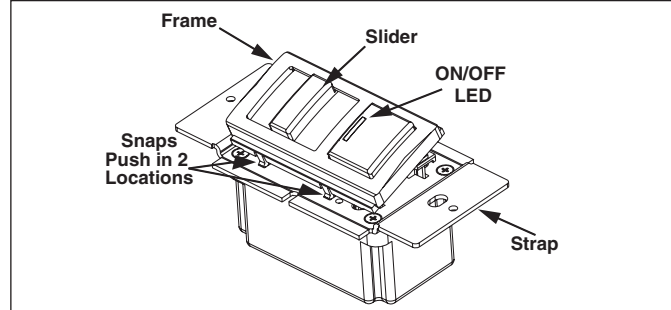


## DIMENSIONAL DRAWINGS

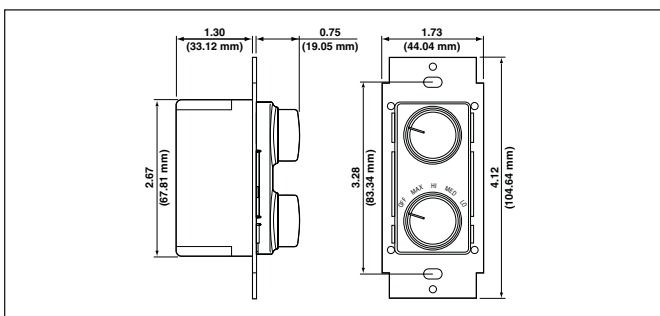
### IllumaTech Preset Slide Controls



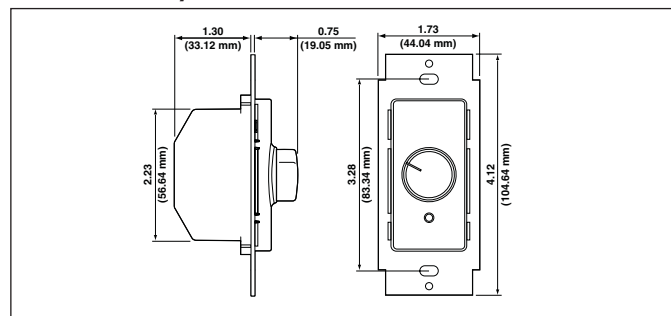
### Color Change Kit for IllumaTech Slide Controls (Preset Kit Shown)



### All IllumaTech Dual Controls



### IllumaTech Rotary Controls



#### Leviton Manufacturing Co., Inc.

59-25 Little Neck Parkway, Little Neck NY 11362-2591  
Phone: 1-800-323-8920 • FAX: 1-800-832-9538 Tech Line: 1-800-824-3005

#### Leviton Manufacturing of Canada, Ltd.

165 Hymus Boulevard, Pointe Claire, Quebec H9R 1E9  
Customer Service: 1-800-469-7890 • FAX: 1-800-563-1853

#### Leviton S. de R.L. de C.V.

Lago Tana 43 Mexico DF, Mexico CP 11290  
Tel. (+52) 55-5082-1040 www.leviton.com.mx



Visit our Website at [www.leviton.com](http://www.leviton.com)

©2007 Leviton Manufacturing Co., Inc. All rights reserved.

G-7749/G7- jo