

DCL SERIES CANOPY

DESIGNER CANOPY LED

The SLG DCL LED CANOPY offer maximum light output for general purpose area and security lighting. They efficiently deliver lumens, and consume less energy than traditional CANOPY technologies. This versatile luminaire is ideal for replacing existing HID fixtures.



Project:	
Location:	
CatalogNo:	
FixtureType:	
Mfg:	Qty:
Notes:	

ORDERING GUIDE			EXAMPLE: DCL45UNV4KB	
Luminaire Type	Power Consumption	Voltage	CCT	Finish
DCL	45	UNV	4K	B
DCL DCL LED CANOPY	45 45Watts 70 70Watts	UNV 120-277V 120 120V 208 208V 240 240V 277 277V	4K 4000K 5K 5000K	B Black

UNV driver operates on any line voltage from 120-277V (50/60 Hz)

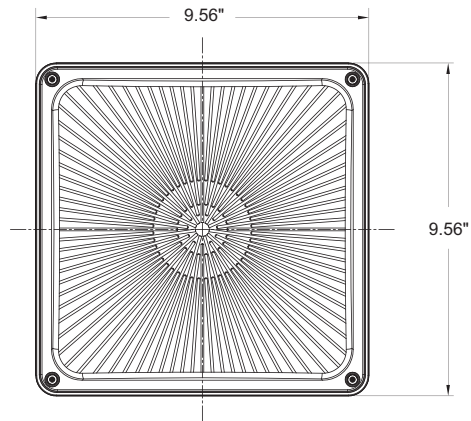
PERFORMANCE INFORMATION					
Series Number	Description	Power Consumption	Delivered Lumens	HID EQUIVALENT	CCT
DCL45UNV4KB	Canopy, 45W, Neutral white, 4000K	45W	4005 Lumens	175W	4000K
DCL45UNV5KB	Canopy, 45W, Cool white, 5000K	45W	4149 Lumens	175W	5000K
DCL70UNV4KB	Canopy, 70W, Cool white, 4000K	70W	5703 Lumens	250W	4000K
DCL70UNV5KB	Canopy, 70W, Cool white, 5000K	70W	5928 Lumens	250W	5000K



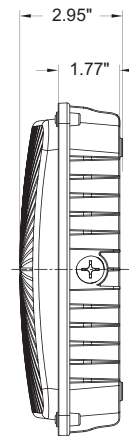
DCL SERIES CANOPY

Dimensions

Front View

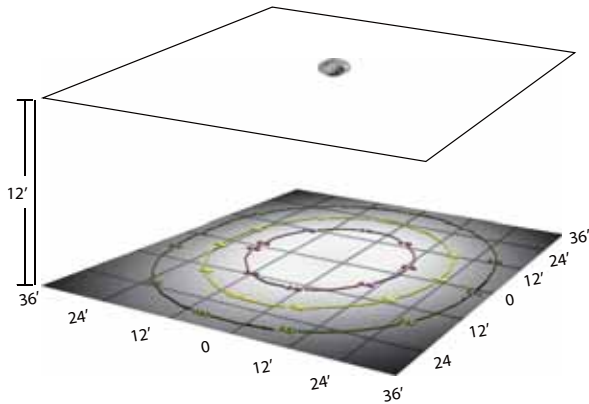


Side View

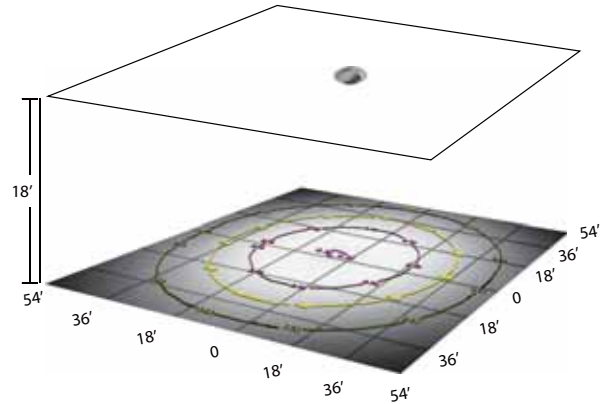


Approximate Luminaire Weight: 5.3 Lbs

PHOTOMETRICS



DCL45UNV5KB



DCL70UNV5KB

SPECIFICATIONS

GENERAL DESCRIPTION

SLG DCL Canopy provide higher lumen output, greater energy efficiency and more reliable fixture performance. High temperature acrylic lens reduce yellowing and direct the light to desired locations eliminating glare and offensive light. Fully gasketed for weatherproof/bugproof integrity. Rugged, die-cast housing has a durable black finish.

HOUSING

All units have black powder paint finish.

MOUNTING

Typical mounting height 8 to 18 feet.

INPUT WATTS

45 watts and 70 watts.

DELIVERED LUMENS

4000 lumens and 5800 lumen.

EFFICACY

Up to 85 Lumens per watt

ELECTRICAL

Driver efficiency(>90% standard) 50/60Hz available in 120-277V, open/short circuit protection. RoHs compliant. Surge protector standard, 10K A per ANSI/IEEE C62.41.2.

CCT AND CRI

4000K AND 5000K CCT 70 CRI.

LISTINGS

UL listed for wet locations ,suitable for use in ambients from -40° to 40 (-22° to 104°F)

LIMITED WARRANTY

SLG DCL Canopy LED luminaires feature a 5 year limited warranty.

