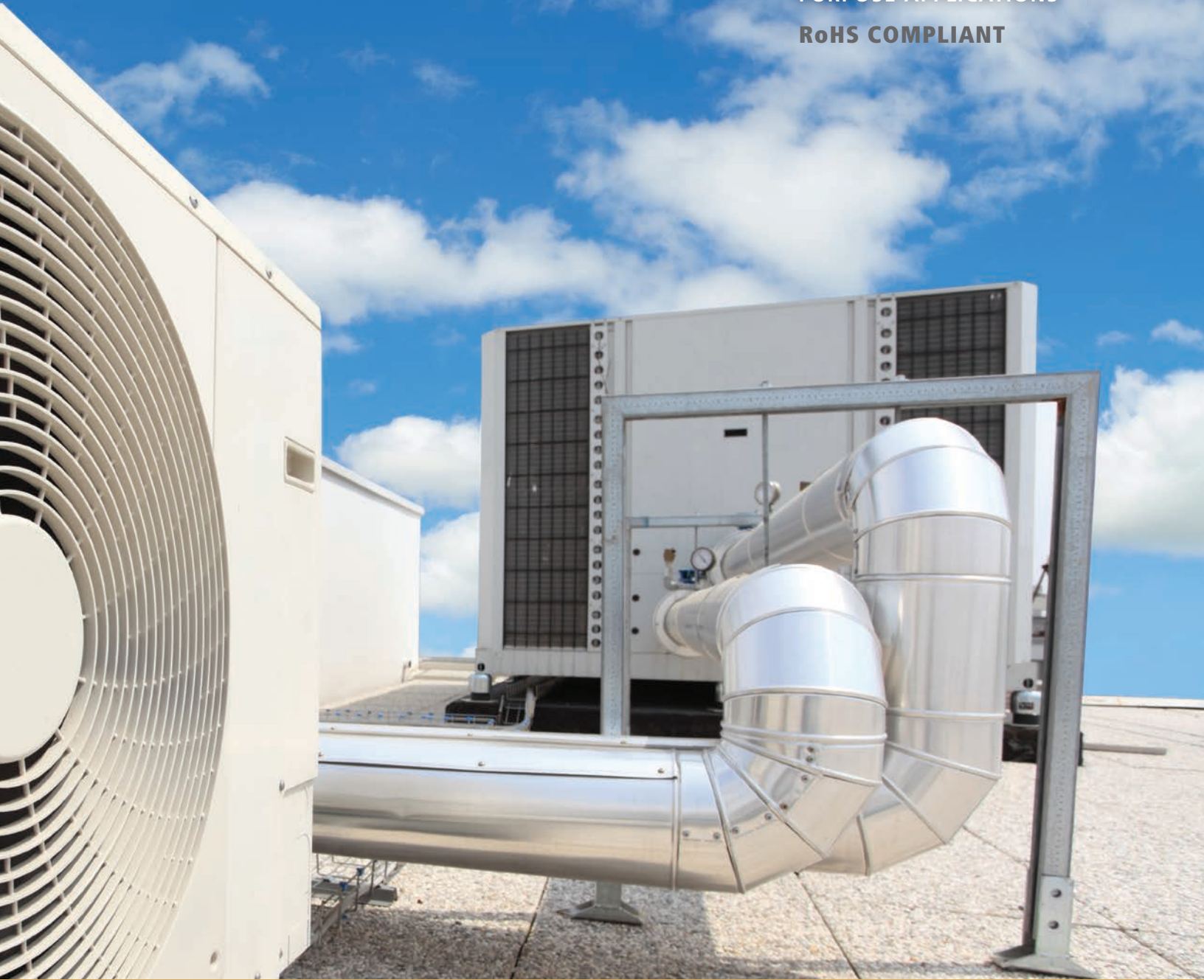


Aerovox[®]

Motor Run & General Purpose AC Capacitors

AC FILM CAPACITORS FOR MOTOR RUN, UPS AND GENERAL PURPOSE APPLICATIONS

RoHS COMPLIANT



Intelligent Capacitor Solutions



For safe and reliable performance of virtually any motor run system, choose Aerovox capacitors. Our SuperMet™ line of oil impregnated, AC capacitors for use in motor run, HVAC, UPS and other general purpose applications are constructed using high quality materials and Lean Six Sigma manufacturing practices. If you have specialized needs, our flexible manufacturing processes allow us to quickly provide custom configurations.



Aerovox capacitors undergo 100% electrical testing including: Accelerated Life Testing (ALT) for 2000 hours at 125% voltage rating and temperature at 10°C greater than maximum rating, fault current, and mechanical testing. The SuperMet line is designed to meet performance testing outlined in the Electrical Industry Association (EIA) standard #RS-456A.

Aerovox provides intelligent capacitor solutions.



Motor Run & General Purpose AC Capacitors

AC FILM CAPACITORS FOR MOTOR RUN, UPS AND GENERAL PURPOSE APPLICATIONS



Applications

- UPS Systems
- HVAC Systems
- Single Phase Motors
- Phase Converters
- Pumps
- Compressors
- White Goods (e.g. Washing Machines, Refrigerators)
- Blowers/Fans
- Unitary/Window Air Conditioners
- Condensing Units
- Dehumidifiers
- Power Factor Correction

Aerovox's line of SuperMet capacitors are manufactured using state-of-the-art, self-healing metallized polypropylene film technology. Designed to operate in environments where there is a requirement for an internal protective device, these capacitors incorporate a UL-approved pressure-sensitive interrupter to remove the capacitor from the circuit at end of life.

Each capacitor is filled with our patented, environmentally-friendly ESO (Epoxidized Soybean Oil). Used as the dielectric fluid, the soybean oil protects metallized film from corrosion, aids optimum heat transfer, and helps suppress the degrading effects of corona, which may otherwise cause premature failures. Proprietary processing with vacuum and heat cycles ensures complete removal of moisture, resulting in superior capacitance stability and long term reliability.

SuperMet capacitors are available in single and dual ratings, and in industry-standard round and oval, oil-filled, metal can designs as well as a European styled aluminum or plastic can with a mounting stud on the bottom.

All capacitors are built to UL810 standards, and designed to meet or exceed EIA-456-A performance standards.

Highlights

- Made to EIA-456-A standards
- Aluminum, steel or plastic* case options
- Special high temperature 90°C versions available
- UL-810 fault current protection
- RoHS compliant

*Available upon request



Specifications

Capacitance Range:	0.5 μ F to 120 μ F
Capacitance Tolerance:	\pm 10% standard; \pm 3% to \pm 6% optional
AC Voltage Range:	120 VAC to 660 VAC
Temperature Range:	-40°C to +70°C standard; +90°C optional
Approval Certification:	UL, cUL, CE2, IEC 60252

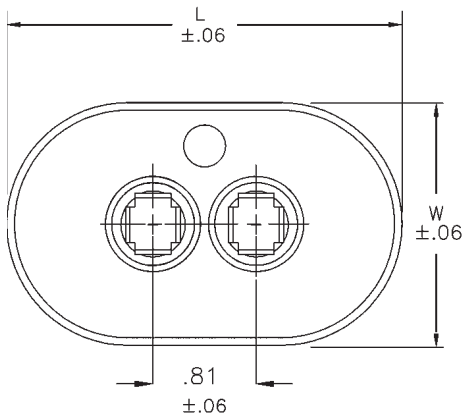
Motor Run & General Purpose AC Capacitors

AC FILM CAPACITORS FOR MOTOR RUN,
UPS AND GENERAL PURPOSE APPLICATIONS

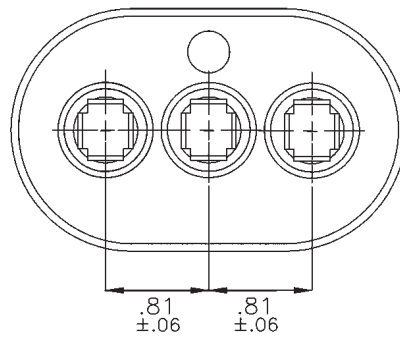
Oval Oil-Filled Case Sizes

Base Size	Description	L Inches	W Inches
A	1¼" Oval	2.16	1.31
C	1¾" Oval	2.91	1.91
D	2" Oval	3.66	1.97

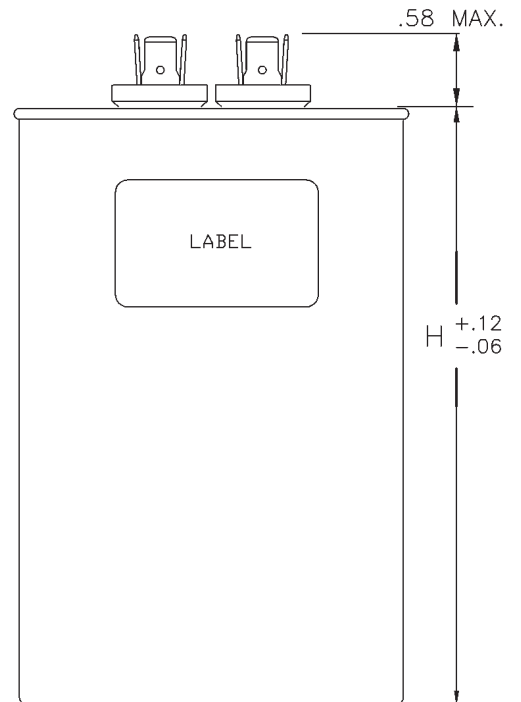
Oval Single Cover Configuration



Oval Dual Cover Configuration



Tolerance on all case dimensions is ± 0.06 .



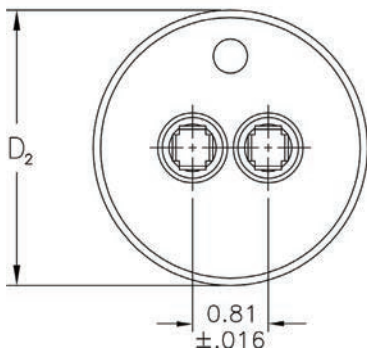
Motor Run & General Purpose AC Capacitors

AC FILM CAPACITORS FOR MOTOR RUN,
UPS AND GENERAL PURPOSE APPLICATIONS

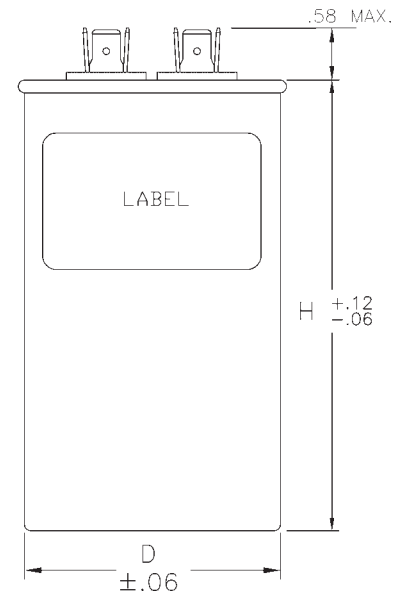
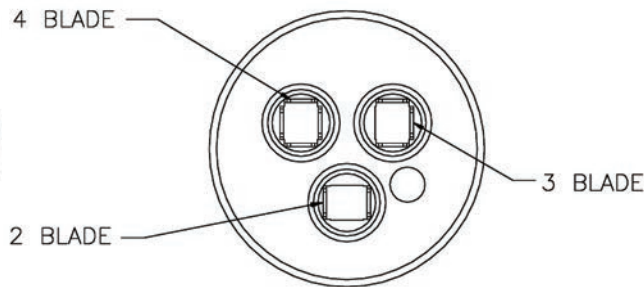
Round Oil-Filled Case Sizes

Base Size	Description	D Inches	D ₂ Inches
P	1¾" Round	1.75	1.87
S	2" Round	2.00	2.12
T	2½" Round	2.50	2.62

Round Single Cover Configuration



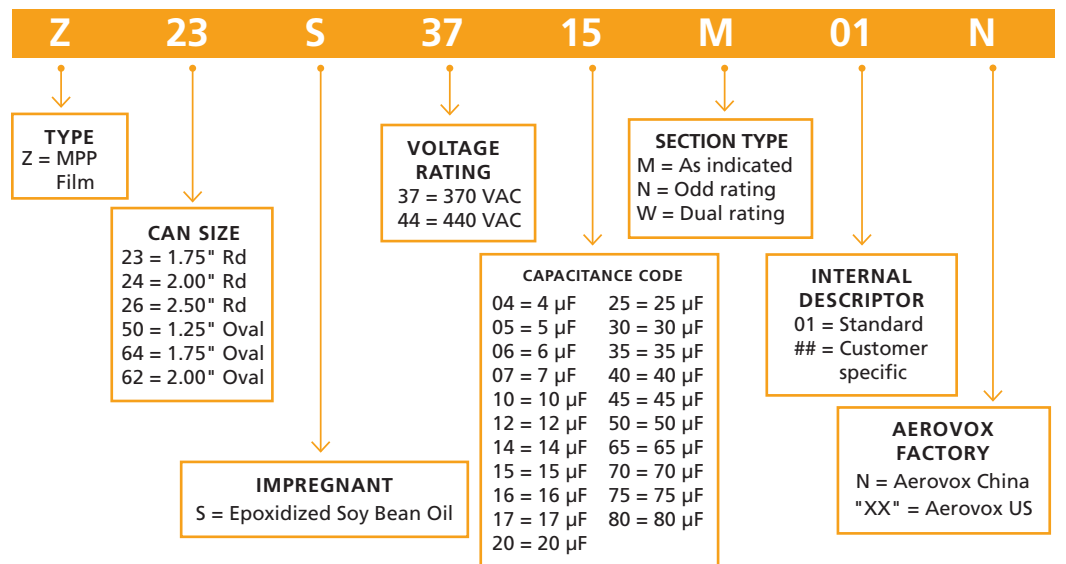
Round Dual Cover Configuration



For 1.75" and 2.00" OD units, spacing is 0.78" rather than 0.81"

Part Numbering System

Aerovox's SuperMet part numbering system is a descriptive part number made up of several different components such as can size, voltage rating, etc. The descriptors are explained here using Z23S3715M01N as a representative part number:



Motor Run & General Purpose AC Capacitors

AC FILM CAPACITORS FOR MOTOR RUN,
UPS AND GENERAL PURPOSE APPLICATIONS

SuperMet Oval Oil Filled Metal Case Single Rating

Rated for 60,000 hour duty @ 70°C

CAP (µF)	AEROVOX P/N	BASE SIZE	CAN HEIGHT Inches (mm)
370 VAC, 70°C Case Temperature			
3	Z50S3703M	A	1.56 (39.6)
4	Z50S3704M	A	1.56 (39.6)
5	Z50S3705M	A	1.56 (39.6)
6	Z50S3706M	A	2.38 (60.5)
7.5	Z50S3707N	A	2.38 (60.5)
10	Z50S3710M	A	2.75 (69.9)
12.5	Z50S3712N	A	3.25 (82.6)
15	Z50S3715M	A	3.94 (100.1)
20	Z64S3720M	C	2.38 (60.5)
25	Z64S3725M	C	2.75 (69.9)

440 VAC, 70°C Case Temperature

3	Z50S4403M	A	1.56 (39.6)
5	Z50S4405M	A	2.12 (53.8)
7.5	Z50S4407N	A	3.15 (80.0)
10	Z50S4410M	A	3.25 (82.6)
15	Z50S4415M	A	4.13 (104.9)
25	Z64S4425M	C	3.25 (82.6)

SuperMet Round Oil Filled Metal Case Single Rating

Rated for 60,000 hour duty @ 70°C

CAP (µF)	AEROVOX P/N	BASE SIZE	CAN HEIGHT Inches (mm)
370 VAC, 70°C Case Temperature			
4	Z23S3704M	P	2.16 (54.9)
5	Z23S3705M	P	2.16 (54.9)
6	Z23S3706M	P	2.16 (54.9)
7.5	Z23S3707N	P	2.16 (54.9)
10	Z23S3710M	P	2.36 (59.9)
12.5	Z23S3712N	P	2.36 (59.9)
15	Z23S3715M	P	2.56 (65.0)
20	Z23S3720M	P	2.75 (69.9)
25	Z23S3725M	P	3.15 (80.0)
30	Z23S3730M	P	3.15 (80.0)
35	Z23S3735M	P	4.25 (108.0)
40	Z24S3740M	S	3.55 (90.2)
45	Z24S3745M	S	3.95 (100.3)
50	Z24S3750M	S	3.88 (98.6)

440 VAC, 70°C Case Temperature

15	Z23S4415M	P	3.25 (82.6)
20	Z23S4420M	P	3.15 (80.0)
25	Z23S4425M	P	3.54 (89.9)
30	Z24S4430M	S	3.75 (95.3)
35	Z24S4435M	S	3.94 (100.1)
40	Z24S4440M	S	4.33 (110.0)
45	Z26S4445M	T	3.35 (85.1)
50	Z26S4450M	T	3.25 (82.6)
55	Z26S4455M	T	3.25 (82.6)
60	Z26S4460M	T	3.75 (95.3)

For additional ratings about steel cases or shorter heights, please contact us.

Motor Run & General Purpose AC Capacitors

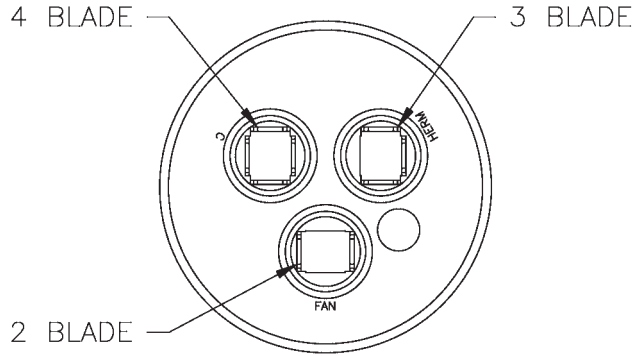
AC FILM CAPACITORS FOR MOTOR RUN,
UPS AND GENERAL PURPOSE APPLICATIONS

Dual Capacitors

Aerovox dual protected capacitors are designed for optimum performance in HVAC applications such as unitary and window air conditioners. By winding two capacitors on one core, Aerovox is able to provide both capacitor values in an efficient size and cost effective 3-terminal package. These capacitors are available in 370 VAC and 440 VAC, with typical fan ratings of 3, 5, 7.5, and 10 μF . Compressor (Herm) cap ratings are available in ratings of 15 μF to 80 μF .

The most popular ratings are shown below, and Aerovox maintains the designs for hundreds of different combinations that are also available. Unlike a single value capacitor, the dual units have a three-terminal cover with a connection for the fan, the herm, and common. The diagram to the right shows the number of blades per terminal.

2, 3, 4 Blade Terminal (Dual)



SuperMet Round Oil Filled Metal Case Dual Rating

Rated for 60,000 hour duty @ 70°C

CAP (μF)	AEROVOX P/N	BASE SIZE	CAN HEIGHT Inches (mm)
-----------------------	-------------	-----------	---------------------------

370 VAC, 70°C Case Temperature

25+5	Z24S3730W05	S	3.00 (72.2)
30+5	Z24S3735W05	S	3.54 (89.9)
35+5	Z24S3740W05	S	3.94 (100.1)
40+5	Z24S3745W05	S	4.13 (104.9)
45+5	Z24S3750W05	S	4.33 (110.0)
50+5	Z26S3755W05	T	3.54 (89.9)
50+10	Z26S3760W01	T	3.54 (89.9)
55+10	Z26S3765W01	T	3.75 (95.3)
60+5	Z26S3765W05	T	3.75 (95.3)
60+10	Z26S3770W01	T	4.13 (104.9)
70+10	Z26S3780W01	T	4.33 (110.0)
80+5	Z26S3785W05	T	4.33 (110.0)
80+10	Z26S3790W01	T	4.73 (95.3)

CAP (μF)	AEROVOX P/N	BASE SIZE	CAN HEIGHT Inches (mm)
-----------------------	-------------	-----------	---------------------------

440 VAC, 70°C Case Temperature

35+5	Z26S4440W05	T	3.15 (80.0)
40+5	Z26S4445W05	T	3.54 (89.9)
40+10	Z26S4450W01	T	3.54 (89.9)
50+5	Z26S4455W05	T	3.75 (95.3)
60+5	Z26S4465W05	T	4.13 (104.9)
60+7.5	Z26S4467W01	T	4.13 (104.9)
60+10	Z26S4470W01	T	4.33 (110.0)
80+7.5	Z26S4487W01	T	4.92 (125.0)

Motor Run & General Purpose AC Capacitors

AC FILM CAPACITORS FOR MOTOR RUN,
UPS AND GENERAL PURPOSE APPLICATIONS

Accessories

Order Optional Mounting Accessories Separately

Terminal Covers, Rubber Boots

CASE STYLE(S)	FIGURE	AEROVOX P/N	D
P	1	44603-0008	1.88" (47.6 mm)
S	1	44603-0012	2.08" (52.8 mm)
A,C,D,T	2	44603-0000	1.50" (38.1 mm)

Figure 1

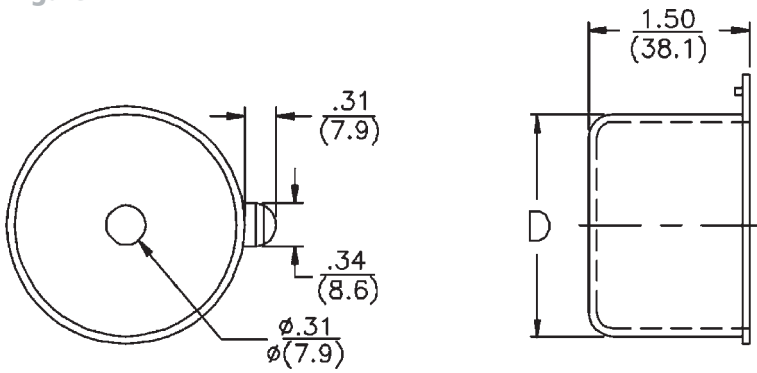
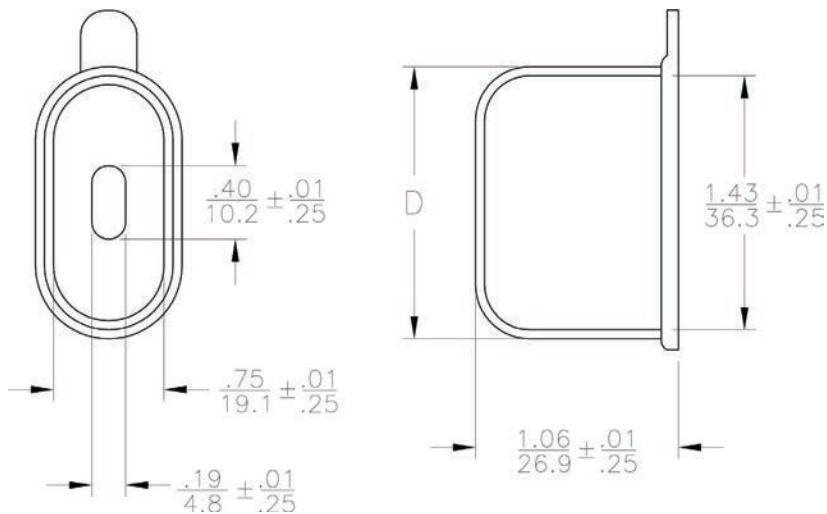


Figure 2



Motor Run & General Purpose AC Capacitors

AC FILM CAPACITORS FOR MOTOR RUN,
UPS AND GENERAL PURPOSE APPLICATIONS

Mounting Brackets

CASE STYLE	FIGURE	AEROVOX P/N	A	B
P	A	51045-0007	1.75" (44.5 mm)	1.13" (28.7 mm)
S	A	51045-0008	2.00" (50.8 mm)	1.25" (31.8 mm)
T	A	51045-0009	2.50" (63.5 mm)	1.50" (38.1 mm)
A	B	43547-0001	2.94" (74.7 mm)	2.56" (65.0 mm)
C	B	51300-0101	3.81" (96.8 mm)	3.31" (84.2 mm)
D	B	51300-0102	4.56" (115.9 mm)	4.06" (103.1 mm)

Figure A

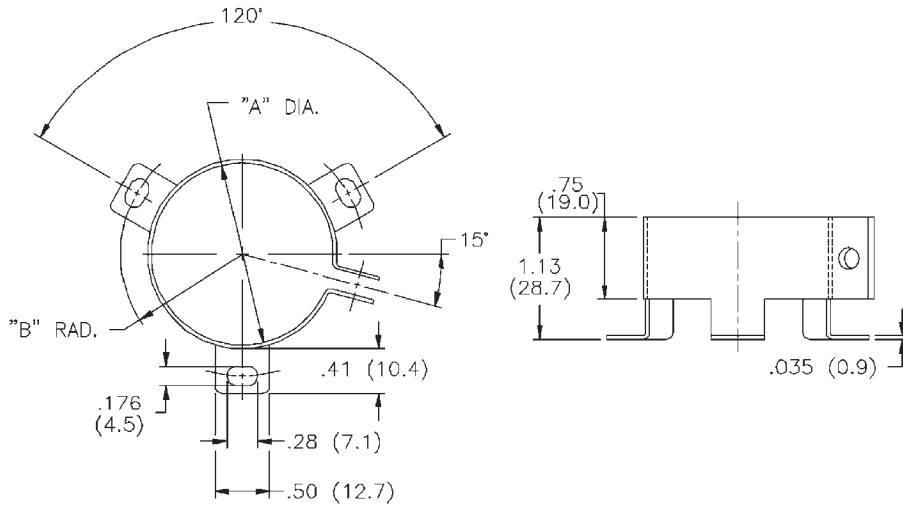
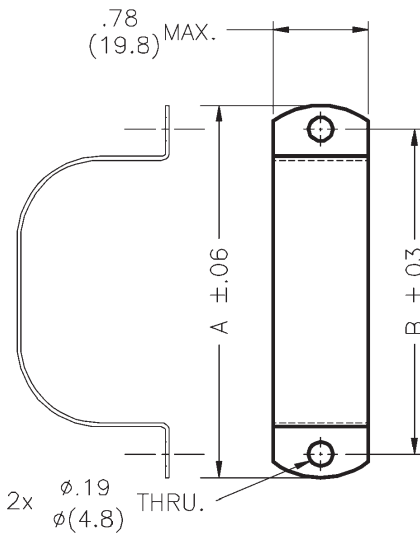


Figure B



About Aerovox

Aerovox is a leading provider of film capacitors for industrial, medical and specialized applications serving original equipment manufacturers (OEM) and distributors. The company has world-class design, manufacturing and testing facilities in New Bedford, Massachusetts and global manufacturing facilities in China and India to enable quick turn-around for shipping and delivery worldwide.

Aerovox capacitors are among the world's most reliable components. Our extensive custom design and development capabilities coupled with broad, standardized product offerings allow us to provide intelligent capacitor solutions that meet or exceed our customers' application requirements.

Our aim is to be the best and most sought after provider of capacitor solutions for specialty markets.

The Aerovox logo is rendered in a white, clean, sans-serif typeface. The letters are spaced out, and a registered trademark symbol (®) is positioned at the top right of the final 'x'.

Copyright 2013, Aerovox Corp. All rights reserved. SuperMet is a trademark and Aerovox is a registered trademark of Aerovox Corp.

MR01308 Printed in the USA