

## FEATURES & SPECIFICATIONS

**INTENDED USE** — Our recessed LED module is the most economical means to create a well lit environment with exceptional energy efficiency and near zero maintenance. Great for retrofit into existing downlight cans or new construction and remodel applications. Compliant friction clip retention allows fitment into nearly 100% of installed cans. The LED module maintains at least 70% light output for 35,000 hours. Indoor and Outdoor Use.

**CONSTRUCTION** — Aluminum spun reflector with deep baffle configuration for reduced glare. Combined LED and driver printed circuit board attached. Inner reflector cone funnels light through the pressed-in diffused lens.

**OPTICS** — Diffused lens at end of mixing chamber to provide even light distribution for general illumination, equivalent to 65W BR30 Lamp.

Wide flood beam angle at > 45°.

**ELECTRICAL** — Center 2 Edge™ (patent pending) technology created for a single point source. Primary power disconnect provided for simple connection to a dedicated LED connector in the housing.

Dimming down to 10%. For compatible dimmers, refer to [Compatible Dimmers Chart](#).

600L-lumen E series has an input wattage of 10.3 watts, 58 lumens per watt, equivalent to 65-watt incandescent.

E Series' patent pending driver has zero inrush which allows power loads to be calculated with actual rated wattages.

Example: 65 units of 4BEMW LED fixtures can be installed in line with a 600-watt dimmer. 600W/10.3W = 65 fixtures.

**INSTALLATION** — Suitable for installation in standard height rough-in sections.

E26 socket adaptor and ships standard.

Friction clips allow fitment into cans with an inside diameter of 4.0" to 4.5".

**LISTINGS** — CSA certified to US and Canadian safety standards. ENERGY STAR® certified. Wet location listed. WSEC ASTM E283 for Air-Tight (with IC housings).

**WARRANTY** — 5-year limited warranty. Complete warranty terms located at [www.acuitybrands.com/CustomerResources/Terms\\_and\\_conditions.aspx](http://www.acuitybrands.com/CustomerResources/Terms_and_conditions.aspx)

NOTE: Actual performance may differ as a result of end-user environment and application. All values are design or typical values, measured under laboratory conditions at 25°C. Specifications subject to change without notice.

**PATENTS PENDING.**



LED Recessed Downlighting

# 4BE

4" LED Module  
IC/Non-IC  
Retrofit



E26 adaptor  
(included)

### Specifications

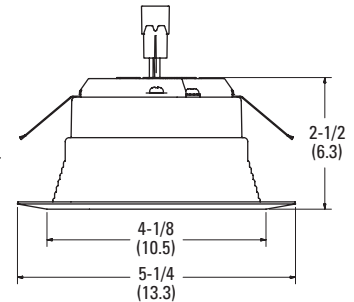
Aperture: 4-1/8 (10.5)

Ceiling opening: Determined by rough-in

Overlap trim: 5-1/4 (13.3)

Height: 2-1/2 (6.3)

All dimensions are inches (centimeters) unless otherwise indicated.



### ORDERING INFORMATION

All configurations of this product are considered "standard" and have short lead times.

Example: 4BEMW LED 27K L3LED T24

Series/Finish	LED Lamp	CCT / CRI / W / Lumens <sup>1</sup>	Voltage	Housing Options
4BEMW 4" Baffle LED module, matte white	LED	27K 2700 K / 82CRI / 10.3W / 530L	(blank) 120V	L3LED T24 4" new construction rough-in LED base
		30K 3000 K / 82CRI / 10.3W / 570L		L3RLED T24 4" remodel rough-in LED base
		40K 4000 K / 82CRI / 10.3W / 600L		L3 4" new construction rough-in <sup>2</sup>
				L3R 4" remodel rough-in <sup>2</sup>

### Notes

- Total system delivered lumens.
- Must be ordered on a separate line.

# 4" LED Module

## PHOTOMETRICS

Distribution Curve	Distribution Data	Output Data	Coefficient of Utilization	Illuminance Data at 30" Above Floor for a Single Luminaire
--------------------	-------------------	-------------	----------------------------	--

**4BEMW LED, 27K, input watts: 11.9, delivered lumens: 623, LM/W = 52, test no. LTL26509, tested in accordance with IESNA LM 79-0**

Ave Lumens	Zone	Lumens	% Lamp	pf	80%			70%			50%			50% beam - 60.7°	10% beam - 101.9°
					pc	pw	50%	30%	10%	50%	30%	10%	50%		
0 296	0° - 30°	222.8	35.8	0	119	119	119	116	116	116	111	111	111		
5 295 28	0° - 40°	352.3	56.6	1	107	103	100	104	101	98	100	98	95		
15 281 79	0° - 60°	554.7	89.1	2	95	89	84	93	88	83	90	85	81		
25 252 116	0° - 90°	622.6	100.0	3	85	78	72	83	77	71	80	75	70		
35 208 129	90° - 180°	0.0	0.0	4	76	68	62	75	68	62	72	66	61		
45 152 117	0° - 180°	622.6	*100.0	5	69	61	55	68	60	54	66	59	54		
55 96 85				6	63	54	48	62	54	48	60	53	48		
65 45 46				7	57	49	43	56	49	43	55	48	43		
75 16 18				8	52	44	39	52	44	39	50	44	39		
85 4 5				9	48	41	35	48	40	35	47	40	35		
90 0				10	45	37	32	44	37	32	43	37	32		

Initial FC		50% beam - 60.7°		10% beam - 101.9°	
Mounting Height	Center Beam	Diameter	FC	Diameter	FC
8.0	9.8	6.4	4.9	13.6	1.0
10.0	5.3	8.8	2.6	18.5	0.5
12.0	3.3	11.1	1.6	23.4	0.3
14.0	2.2	13.5	1.1	28.3	0.2
16.0	1.6	15.8	0.8	33.3	0.2

**4BEMW LED, 30K, input watts: 10.8, delivered lumens: 621, LM/W = 58, test no. LTL26510, tested in accordance with IESNA LM 79-08**

Ave Lumens	Zone	Lumens	% Lamp	pf	80%			70%			50%			50% beam - 61.0°	10% beam - 102.0°
					pc	pw	50%	30%	10%	50%	30%	10%	50%		
0 293	0° - 30°	221.7	35.7	0	119	119	119	116	116	116	111	111	111		
5 292 28	0° - 40°	350.8	56.4	1	107	103	100	104	101	98	100	97	95		
15 279 79	0° - 60°	552.6	88.9	2	95	89	84	93	88	83	90	85	81		
25 251 115	0° - 90°	621.4	100.0	3	85	78	72	83	77	71	80	75	70		
35 207 129	90° - 180°	0.0	0.0	4	76	68	62	75	68	62	72	66	61		
45 152 117	0° - 180°	621.4	*100.0	5	69	61	55	68	60	54	66	59	54		
55 95 85				6	62	54	48	62	54	48	60	53	48		
65 46 46				7	57	49	43	56	49	43	55	48	43		
75 16 18				8	52	44	39	52	44	39	50	44	39		
85 4 5				9	48	41	35	48	40	35	47	40	35		
90 0				10	45	37	32	44	37	32	43	37	32		

Initial FC		50% beam - 61.0°		10% beam - 102.0°	
Mounting Height	Center Beam	Diameter	FC	Diameter	FC
8.0	9.7	6.5	4.8	13.6	1.0
10.0	5.2	8.8	2.6	18.5	0.5
12.0	3.2	11.2	1.6	23.5	0.3
14.0	2.2	13.5	1.1	28.4	0.2
16.0	1.6	15.9	0.8	33.3	0.2

**4BEMW LED, 40K, 10.8, delivered lumens: 663, LM/W = 61, test no. LTL26511, tested in accordance with IESNA LM 79-08**

Ave Lumens	Zone	Lumens	% Lamp	pf	80%			70%			50%			50% beam - 60.8°	10% beam - 101.8°
					pc	pw	50%	30%	10%	50%	30%	10%	50%		
0 315	0° - 30°	237.4	35.8	0	119	119	119	116	116	116	111	111	111		
5 314 30	0° - 40°	375.4	56.6	1	107	103	100	104	101	98	100	98	95		
15 299 84	0° - 60°	590.5	89.1	2	95	89	84	93	88	83	90	85	81		
25 269 124	0° - 90°	662.9	100.0	3	85	78	72	83	77	71	80	75	70		
35 221 138	90° - 180°	0.0	0.0	4	76	68	62	75	68	62	73	66	61		
45 162 124	0° - 180°	662.9	*100.0	5	69	61	55	68	60	54	66	59	54		
55 102 91				6	63	54	48	62	54	48	60	53	48		
65 49 49				7	57	49	43	56	49	43	55	48	43		
75 17 19				8	52	44	39	52	44	39	50	44	39		
85 4 5				9	48	41	35	48	40	35	47	40	35		
90 0				10	45	37	32	44	37	32	43	37	32		

Initial FC		50% beam - 60.8°		10% beam - 101.8°	
Mounting Height	Center Beam	Diameter	FC	Diameter	FC
8.0	10.4	6.4	5.2	13.5	1.0
10.0	5.6	8.8	2.8	18.4	0.6
12.0	3.5	11.1	1.7	23.4	0.4
14.0	2.4	13.5	1.2	28.3	0.2
16.0	1.7	15.8	0.9	33.2	0.2

### ADDITIONAL DATA 4BEMW LED 27K

ENERGY DATA*	
CRI - 82	
Lumens	530L
Min. starting temp	-18°C (0°F)
Max. temp	46°C (115°F)
EMI/RFI	FCC Title 47 CFR, Part 15, Class B
Sound rating	A standards
Input voltage	120V
Min. power factor	0.99
Input frequency	50/60 Hz
Rated wattage	10.3W
Input power	10.3W
Input current	.11A

\*Values at non-dimming line voltage.

### ADDITIONAL DATA 4BEMW LED 30K

ENERGY DATA*	
CRI - 82	
Lumens	570L
Min. starting temp	-18°C (0°F)
Max. temp	46°C (115°F)
EMI/RFI	FCC Title 47 CFR, Part 15, Class B
Sound rating	A standards
Input voltage	120V
Min. power factor	0.99
Input frequency	50/60 Hz
Rated wattage	10.3W
Input power	10.3W
Input current	.11A

\*Values at non-dimming line voltage.

### ADDITIONAL DATA 4BEMW LED 40K

ENERGY DATA*	
CRI - 82	
Lumens	600L
Min. starting temp	-18°C (0°F)
Max. temp	46°C (115°F)
EMI/RFI	FCC Title 47 CFR, Part 15, Class B
Sound rating	A standards
Input voltage	120V
Min. power factor	0.99
Input frequency	50/60 Hz
Rated wattage	10.3W
Input power	10.3W
Input current	.11A

\*Values at non-dimming line voltage.

# 4" LED Module

## LIGHTING FACTS

**LED lighting facts**  
A Program of the U.S. DOE

Light Output (Lumens)	530
Watts	10.6
Lumens per Watt (Efficacy)	50

---

Color Accuracy Color Rendering Index (CRI)	81
---	----

---

**Light Color**  
Correlated Color Temperature (CCT) **2700 (Warm White)**

2700K 3000K 4500K 6500K

Warm White | Bright White | Daylight

All results are according to IESNA LM-79-2008: Approved Method for the Electrical and Photometric Testing of Solid-State Lighting. The U.S. Department of Energy (DOE) verifies product test data and results.

Visit [www.lightingfacts.com](http://www.lightingfacts.com) for the Label Reference Guide.

Registration Number: JB22-8KZSB6 (11/11/2014)  
Model Number: 4BEMW LED 27K [Upgrade : 10/23/2014]  
Type: Luminaire - Downlight

**LED lighting facts**  
A Program of the U.S. DOE

Light Output (Lumens)	570
Watts	10.6
Lumens per Watt (Efficacy)	53.77

---

Color Accuracy Color Rendering Index (CRI)	83
---	----

---

**Light Color**  
Correlated Color Temperature (CCT) **3000 (Bright White)**

2700K 3000K 4500K 6500K

Warm White | Bright White | Daylight

All results are according to IESNA LM-79-2008: Approved Method for the Electrical and Photometric Testing of Solid-State Lighting. The U.S. Department of Energy (DOE) verifies product test data and results.

Visit [www.lightingfacts.com](http://www.lightingfacts.com) for the Label Reference Guide.

Registration Number: JB22-WWYSEU (11/11/2014)  
Model Number: 4BEMW LED 30K [Upgrade : 10/23/2014]  
Type: Luminaire - Downlight

**LED lighting facts**  
A Program of the U.S. DOE

Light Output (Lumens)	600
Watts	10.6
Lumens per Watt (Efficacy)	56.6

---

Color Accuracy Color Rendering Index (CRI)	84
---	----

---

**Light Color**  
Correlated Color Temperature (CCT) **4000 (Bright White)**

2700K 3000K 4500K 6500K

Warm White | Bright White | Daylight

All results are according to IESNA LM-79-2008: Approved Method for the Electrical and Photometric Testing of Solid-State Lighting. The U.S. Department of Energy (DOE) verifies product test data and results.

Visit [www.lightingfacts.com](http://www.lightingfacts.com) for the Label Reference Guide.

Registration Number: JB22-D10TPW (11/11/2014)  
Model Number: 4BEMW LED 40K [Upgrade : 10/23/2014]  
Type: Luminaire - Downlight