

Value and versatility defined

The OLFL 14 really packs a punch – with annual energy savings of up to \$135, it pays for itself in six months! There's even a standard photocell which turns the light on at dusk and off at dawn. Now that's smart!



OLFL 14 replaces up to **300W Quartz Halogen**



# Value and versatility defined

www.lithonia.com

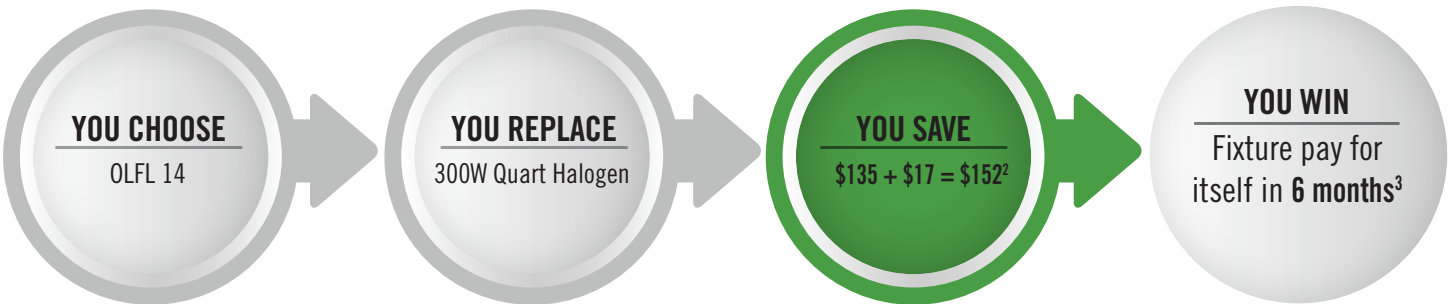
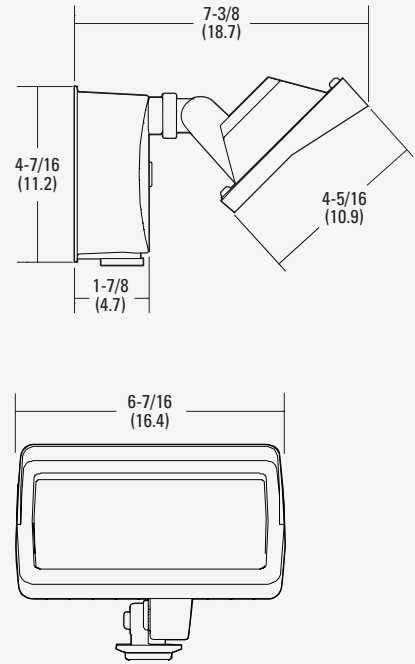


Mounts to a recessed junction box

- 2 high-powered LEDs provide 1351 lumens in a neutral 4000K CCT
- Fully gasketed glass lens protects the LEDs from water and bugs
- 50,000 hour LED life<sup>1</sup>
- Includes standard photocell for dusk-to-dawn operation
- Rugged cast aluminum housing with dark bronze powder-coat finish
- Highly efficient LEDs provide **74 lumens per watt**

<sup>1</sup> LED lifespan based on IESNA LM-80-08 results and calculated per IESNA TM-21-11 methodology.

## Product Dimensions



<sup>2</sup> Annual Energy + Annual Lamp Replacement Cost = Total Annual Savings

<sup>3</sup> Based on 12 hours operation per day and energy costs of \$.11 per kWh

### ORDERING INFORMATION

Example: OLFL 14 PE BZ

Series		Lumens	Color Temperature	Voltage	Controls	Finish
OLFL	LED Security Flood Light	14 1351 lumens	(blank) 4000K <sup>4</sup>	(blank) 120V	PE Photoelectric cell, button type	BZ Bronze



#### Notes

<sup>4</sup> Correlated Color Temperature (CCT) shown is nominal per ANSI C78.377-2008.