

LED REFLECTOR

LED R20, R30 & R40 Lamps

PLT LED reflector lamps provide energy-saving, professional accent lighting with soft, glare-free illumination that's perfect for any surface.

These dimmable R20, R30 and R40 LED lamps are designed in the classic shape of incandescent reflector lamps, but offer modern quality solid state illumination. The PLT LED reflector lamps are direct replacements for standard incandescent lamps offering significant energy savings and with a 25,000 hour life rating, lasting 10 times more than the standard incandescent lamp life.

All PLT LED reflectors are 120V Warm White (2700K & 3000K), Wide Flood lamps. They are available in 8W R20, 9W & 11W R30, and 13W & 18W R40 types.

FEATURES & BENEFITS:

- Energy Saving
- Dimmable
- Wide, Soft Beam that Reduces Glare
- Direct Replacement for Incandescent R and BR Lamps
- Same Form Factor as Incandescent R Lamps
- Long Life: 25,000 Hours
- Aluminum Reflector for Better Reflectivity and Heat Dissipation
- Application Friendly: UV Free & IR Free
- Environmentally Friendly: Mercury Free, Lead Free & RoHS Compliant
- 3-Year Limited Warranty
- Damp Location Rated**

** May only be used in sheltered outdoor areas that are protected from direct contact with rain, snow, or excessive moisture.



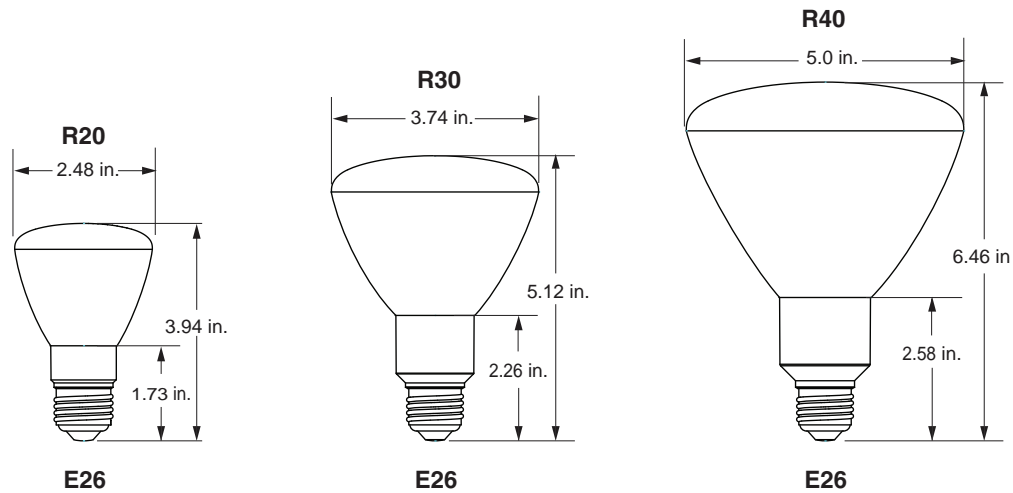
APPLICATIONS:

- Recessed Lighting
- Display Lighting
- Accent Lighting
- Art Gallery & Museum Lighting
- Office Lighting
- Hospitality Lighting

Qualifications:



LED REFLECTOR



Watts (W)	Ordering Code	Lamp Description	Bulb Type	Volts (V)	Color Temp (K)	Beam Angle	Lumens* (lm)	Max CP* (cd)	CRI	Avg** Life (h)	Case Qty
8	PLT-10139	★ 8W LED R20, WFL106, WW30	R20	120	3000	106°	540	145	82	25000	12
9	PLT-10141	★ 9W LED R30, WFL108, WW27	R30	120	2700	108°	650	218	82	25000	12
11	PLT-10140	★ 11W LED R30, WFL108, WW30	R30	120	3000	108°	750	250	82	25000	12
13	PLT-10142	★ 13W LED R40, WFL105, WW27	R40	120	2700	105°	850	290	82	25000	12
18	PLT-10143	18W LED R40, WFL105, WW30	R40	120	3000	105°	1230	410	82	25000	12

* Photometric data is based on LM-79 tests.

** Average life based on 70% lumen maintenance. LM-80 data available.

★ ENERGY STAR Certified

Specifications may be subject to change without prior notice.

Electrical Specifications:

Driver: High Efficiency

Power Factor: 8W-13W = 0.70 / 18W = 0.90

See www.1000bulbs.com for dimmer compatibility options.

CAUTION:

The lamp may not be compatible with all dimmers. Check www.1000bulbs.com to find up to date dimmer compatibility options. Use only 120V 60Hz circuits. Do not open. No user serviceable parts inside. Use is not recommended where exposed to weather, outdoor usage requires an enclosed fixture. The device is not intended for use with emergency exit fixtures, emergency exit lights, photo controls, electric timers. Fully enclosed or recessed fixtures must contain proper ventilation. Reliable Operating temperature is -4° F to 113° F. This device complies with Part 15 of the FCC Rules. Operation is subject to the following two conditions: (1) this device may not cause harmful interference, and (2) this device must accept any interference received, including interference that may cause undesired operation.

Photometrics

Code# PLT-10139

ϕ (ft)	H(ft)	E(fc)
8.7	3.3	16.66
17.5	6.6	4.16
26.2	9.8	1.85
35.0	13.1	1.04
43.7	16.4	.666
106°		8W
8W LED R20, WFL106 WW30		

Code# PLT-10141

ϕ (ft)	H(ft)	E(fc)
8.8	3.3	20.58
17.6	6.6	5.43
26.4	9.8	2.29
35.1	13.1	1.29
43.9	16.4	.826
108°		9W
9W LED R30, WFL108 WW27		

Code# PLT-10140

ϕ (ft)	H(ft)	E(fc)
8.8	3.3	27.09
17.6	6.6	6.77
26.5	9.8	3.01
35.3	13.1	1.69
44.1	16.4	1.08
108°		11W
11W LED R30, WFL108 WW30		

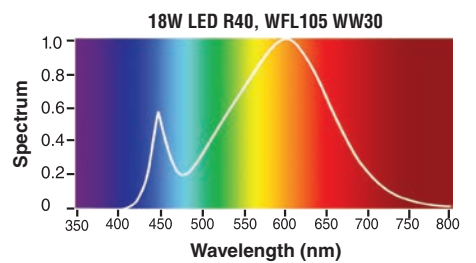
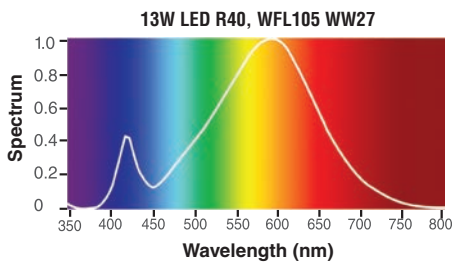
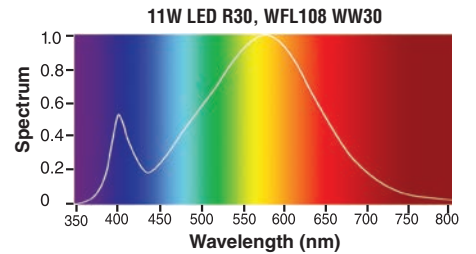
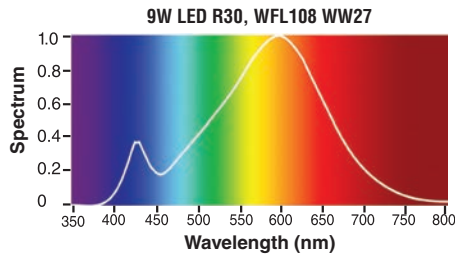
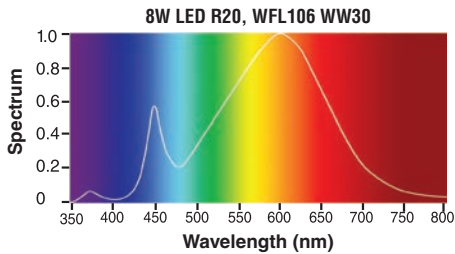
Code# PLT-10142

ϕ (ft)	H(ft)	E(fc)
8.6	3.3	29.68
17.2	6.6	7.42
25.8	9.8	3.30
34.5	13.1	1.90
43.1	16.4	1.19
105°		13W
13W LED R40, WFL105 WW27		

Code# PLT-10143

ϕ (ft)	H(ft)	E(fc)
8.6	3.3	41.04
17.3	6.6	10.26
26.0	9.8	4.56
34.6	13.1	2.57
43.3	16.4	1.64
105°		18W
18W LED R40, WFL105 WW30		

Spectral Distribution Charts



LED REFLECTOR

Lighting Facts

Code# PLT-10139
8W LED R20, WFL106 WW30

Lighting Facts/ Facts d'éclairage	
Per Bulb/Par l'ampoule	
Brightness/Luminosité	540 lumens
Estimated Yearly Energy Cost/ Coût énergétique annuel estimé	\$0.96
Based on 3 hrs/day, 11¢/kWh. Cost depends on rates and use. /Basé sur 3 heures/jour, 11¢/kWh. Les coûts dépendent du tarif et de la fréquence d'utilisation.	
Life/Vie	23 years/ans
Based on 3 hrs/day. /Basé sur 3 heures/jour.	
Light Appearance/Apparence de l'éclairage	
Warm/Chaud	Cool/Froid
3000K	
Energy Used/Énergie utilisée	8 watts

Code# PLT-10141
9W LED R30, WFL108 WW27

Lighting Facts/ Facts d'éclairage	
Per Bulb/Par l'ampoule	
Brightness/Luminosité	650 lumens
Estimated Yearly Energy Cost/ Coût énergétique annuel estimé	\$1.08
Based on 3 hrs/day, 11¢/kWh. Cost depends on rates and use. /Basé sur 3 heures/jour, 11¢/kWh. Les coûts dépendent du tarif et de la fréquence d'utilisation.	
Life/Vie	23 years/ans
Based on 3 hrs/day. /Basé sur 3 heures/jour.	
Light Appearance/Apparence de l'éclairage	
Warm/Chaud	Cool/Froid
2700K	
Energy Used/Énergie utilisée	9 watts

Code# PLT-10140
11W LED R30, WFL108 WW30

Lighting Facts/ Facts d'éclairage	
Per Bulb/Par l'ampoule	
Brightness/Luminosité	750 lumens
Estimated Yearly Energy Cost/ Coût énergétique annuel estimé	\$1.32
Based on 3 hrs/day, 11¢/kWh. Cost depends on rates and use. /Basé sur 3 heures/jour, 11¢/kWh. Les coûts dépendent du tarif et de la fréquence d'utilisation.	
Life/Vie	23 years/ans
Based on 3 hrs/day. /Basé sur 3 heures/jour.	
Light Appearance/Apparence de l'éclairage	
Warm/Chaud	Cool/Froid
3000K	
Energy Used/Énergie utilisée	11 watts

Code# PLT-10142
13W LED R40, WFL105 WW27

Lighting Facts/ Facts d'éclairage	
Per Bulb/Par l'ampoule	
Brightness/Luminosité	850 lumens
Estimated Yearly Energy Cost/ Coût énergétique annuel estimé	\$1.57
Based on 3 hrs/day, 11¢/kWh. Cost depends on rates and use. /Basé sur 3 heures/jour, 11¢/kWh. Les coûts dépendent du tarif et de la fréquence d'utilisation.	
Life/Vie	23 years/ans
Based on 3 hrs/day. /Basé sur 3 heures/jour.	
Light Appearance/Apparence de l'éclairage	
Warm/Chaud	Cool/Froid
2700K	
Energy Used/Énergie utilisée	13 watts

Code# PLT-10143
18W LED R40, WFL105 WW30

Lighting Facts/ Facts d'éclairage	
Per Bulb/Par l'ampoule	
Brightness/Luminosité	1230 lumens
Estimated Yearly Energy Cost/ Coût énergétique annuel estimé	\$2.17
Based on 3 hrs/day, 11¢/kWh. Cost depends on rates and use. /Basé sur 3 heures/jour, 11¢/kWh. Les coûts dépendent du tarif et de la fréquence d'utilisation.	
Life/Vie	23 years/ans
Based on 3 hrs/day. /Basé sur 3 heures/jour.	
Light Appearance/Apparence de l'éclairage	
Warm/Chaud	Cool/Froid
3000K	
Energy Used/Énergie utilisée	18 watts