

LED REFLECTOR

LED R20, R30 & R40 Lamps

PLT LED reflector lamps provide energy-saving, professional accent lighting with soft, glare-free illumination that's perfect for any surface.

These dimmable R20, R30 and R40 LED lamps are designed in the classic shape of incandescent reflector lamps, but offer modern quality solid state illumination. The PLT LED reflector lamps are direct replacements for standard incandescent lamps offering significant energy savings and with a 25,000 hour life rating, lasting 10 times more than the standard incandescent lamp life.

All PLT LED reflectors are 120V Warm White (2700K & 3000K), Wide Flood lamps. They are available in 8W R20, 9W & 11W R30, and 13W & 18W R40 types.

FEATURES & BENEFITS:

- Energy Saving
- Dimmable
- Wide, Soft Beam that Reduces Glare
- Direct Replacement for Incandescent R and BR Lamps
- Same Form Factor as Incandescent R Lamps
- Long Life: 25,000 Hours
- Aluminum Reflector for Better Reflectivity and Heat Dissipation
- Application Friendly: UV Free & IR Free
- Environmentally Friendly: Mercury Free, Lead Free & RoHS Compliant
- 3-Year Limited Warranty
- Damp Location Rated**

** May only be used in sheltered outdoor areas that are protected from direct contact with rain, snow, or excessive moisture.



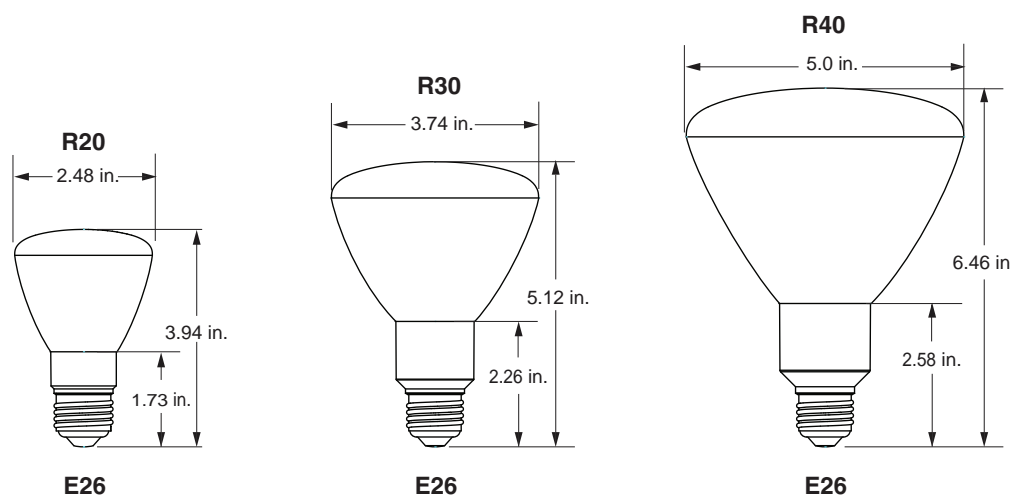
APPLICATIONS:

- Recessed Lighting
- Display Lighting
- Accent Lighting
- Art Gallery & Museum Lighting
- Office Lighting
- Hospitality Lighting

Qualifications:



LED REFLECTOR



| Watts (W) | Ordering Code | Lamp Description | Bulb Type | Volts (V) | Color Temp (K) | Beam Angle | Lumens* (lm) | Max CP* (cd) | CRI | Avg** Life (h) | Case Qty |
|-----------|---------------|-----------------------------|-----------|-----------|----------------|------------|--------------|--------------|-----|----------------|----------|
| 8 | PLT-10139 | ★ 8W LED R20, WFL106, WW30 | R20 | 120 | 3000 | 106° | 540 | 145 | 82 | 25000 | 12 |
| 9 | PLT-10141 | ★ 9W LED R30, WFL108, WW27 | R30 | 120 | 2700 | 108° | 650 | 218 | 82 | 25000 | 12 |
| 11 | PLT-10140 | ★ 11W LED R30, WFL108, WW30 | R30 | 120 | 3000 | 108° | 750 | 250 | 82 | 25000 | 12 |
| 13 | PLT-10142 | ★ 13W LED R40, WFL105, WW27 | R40 | 120 | 2700 | 105° | 850 | 290 | 82 | 25000 | 12 |
| 18 | PLT-10143 | 18W LED R40, WFL105, WW30 | R40 | 120 | 3000 | 105° | 1230 | 410 | 82 | 25000 | 12 |

* Photometric data is based on LM-79 tests.

★ ENERGY STAR Certified

** Average life based on 70% lumen maintenance. LM-80 data available.

Specifications may be subject to change without prior notice.

Electrical Specifications:

Driver: High Efficiency

Power Factor: 8W-13W = 0.70 / 18W = 0.90

See www.1000bulbs.com for dimmer compatibility options.

CAUTION:

The lamp may not be compatible with all dimmers. Check www.1000bulbs.com to find up to date dimmer compatibility options. Use only 120V 60Hz circuits. Do not open. No user serviceable parts inside. Use is not recommended where exposed to weather, outdoor usage requires an enclosed fixture. The device is not intended for use with emergency exit fixtures, emergency exit lights, photo controls, electric timers. Fully enclosed or recessed fixtures must contain proper ventilation. Reliable Operating temperature is -4° F to 113° F. This device complies with Part 15 of the FCC Rules. Operation is subject to the following two conditions: (1) this device may not cause harmful interference, and (2) this device must accept any interference received, including interference that may cause undesired operation.

Photometrics

Code# PLT-10139

| ϕ (ft) | H(ft) | E(fc) |
|-------------------------|-------|-----------|
| 8.7 | 3.3 | 16.66 |
| 17.5 | 6.6 | 4.16 |
| 26.2 | 9.8 | 1.85 |
| 35.0 | 13.1 | 1.04 |
| 43.7 | 16.4 | .666 |
| 106° | | 8W |
| 8W LED R20, WFL106 WW30 | | |

Code# PLT-10141

| ϕ (ft) | H(ft) | E(fc) |
|-------------------------|-------|-----------|
| 8.8 | 3.3 | 20.58 |
| 17.6 | 6.6 | 5.43 |
| 26.4 | 9.8 | 2.29 |
| 35.1 | 13.1 | 1.29 |
| 43.9 | 16.4 | .826 |
| 108° | | 9W |
| 9W LED R30, WFL108 WW27 | | |

Code# PLT-10140

| ϕ (ft) | H(ft) | E(fc) |
|--------------------------|-------|------------|
| 8.8 | 3.3 | 27.09 |
| 17.6 | 6.6 | 6.77 |
| 26.5 | 9.8 | 3.01 |
| 35.3 | 13.1 | 1.69 |
| 44.1 | 16.4 | 1.08 |
| 108° | | 11W |
| 11W LED R30, WFL108 WW30 | | |

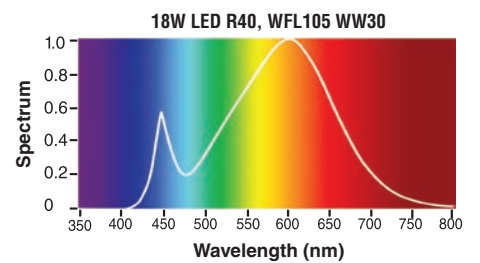
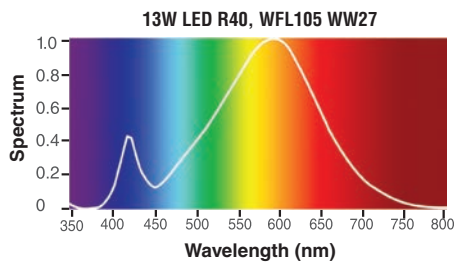
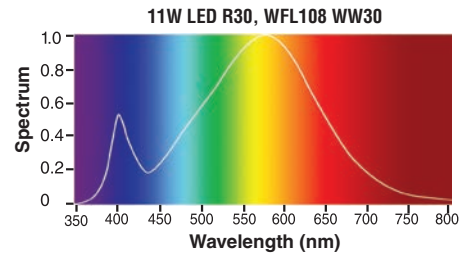
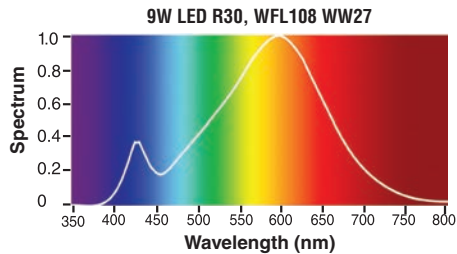
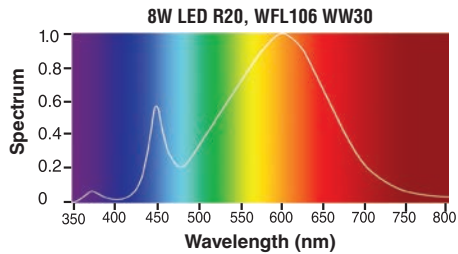
Code# PLT-10142

| ϕ (ft) | H(ft) | E(fc) |
|--------------------------|-------|------------|
| 8.6 | 3.3 | 29.68 |
| 17.2 | 6.6 | 7.42 |
| 25.8 | 9.8 | 3.30 |
| 34.5 | 13.1 | 1.90 |
| 43.1 | 16.4 | 1.19 |
| 105° | | 13W |
| 13W LED R40, WFL105 WW27 | | |

Code# PLT-10143

| ϕ (ft) | H(ft) | E(fc) |
|--------------------------|-------|------------|
| 8.6 | 3.3 | 41.04 |
| 17.3 | 6.6 | 10.26 |
| 26.0 | 9.8 | 4.56 |
| 34.6 | 13.1 | 2.57 |
| 43.3 | 16.4 | 1.64 |
| 105° | | 18W |
| 18W LED R40, WFL105 WW30 | | |

Spectral Distribution Charts



LED REFLECTOR

Lighting Facts

Code# PLT-10139
8W LED R20, WFL106 WW30

| Lighting Facts/ Facts d'éclairage | |
|--|--------------|
| Per Bulb/Par l'ampoule | |
| Brightness/Luminosité | 540 lumens |
| Estimated Yearly Energy Cost/ Coût énergétique annual estimé | \$0.96 |
| Based on 3 hrs/day, 11¢/kWh. Cost depends on rates and use. /Basé sur 3 heures/jour, 11¢/kWh. Les coûts dépendent du tarif et de la fréquence d'utilisation. | |
| Life/Vie | 23 years/ans |
| Based on 3 hrs/day. /Basé sur 3 heures/jour. | |
| Light Appearance/Apparence de l'éclairage | |
| Warm/Chaud | Cool/Froid |
| 3000K | |
| Energy Used/Énergie utilisée | 8 watts |

Code# PLT-10141
9W LED R30, WFL108 WW27

| Lighting Facts/ Facts d'éclairage | |
|--|--------------|
| Per Bulb/Par l'ampoule | |
| Brightness/Luminosité | 650 lumens |
| Estimated Yearly Energy Cost/ Coût énergétique annual estimé | \$1.08 |
| Based on 3 hrs/day, 11¢/kWh. Cost depends on rates and use. /Basé sur 3 heures/jour, 11¢/kWh. Les coûts dépendent du tarif et de la fréquence d'utilisation. | |
| Life/Vie | 23 years/ans |
| Based on 3 hrs/day. /Basé sur 3 heures/jour. | |
| Light Appearance/Apparence de l'éclairage | |
| Warm/Chaud | Cool/Froid |
| 2700K | |
| Energy Used/Énergie utilisée | 9 watts |

Code# PLT-10140
11W LED R30, WFL108 WW30

| Lighting Facts/ Facts d'éclairage | |
|--|--------------|
| Per Bulb/Par l'ampoule | |
| Brightness/Luminosité | 750 lumens |
| Estimated Yearly Energy Cost/ Coût énergétique annual estimé | \$1.32 |
| Based on 3 hrs/day, 11¢/kWh. Cost depends on rates and use. /Basé sur 3 heures/jour, 11¢/kWh. Les coûts dépendent du tarif et de la fréquence d'utilisation. | |
| Life/Vie | 23 years/ans |
| Based on 3 hrs/day. /Basé sur 3 heures/jour. | |
| Light Appearance/Apparence de l'éclairage | |
| Warm/Chaud | Cool/Froid |
| 3000K | |
| Energy Used/Énergie utilisée | 11 watts |

Code# PLT-10142
13W LED R40, WFL105 WW27

| Lighting Facts/ Facts d'éclairage | |
|--|--------------|
| Per Bulb/Par l'ampoule | |
| Brightness/Luminosité | 850 lumens |
| Estimated Yearly Energy Cost/ Coût énergétique annual estimé | \$1.57 |
| Based on 3 hrs/day, 11¢/kWh. Cost depends on rates and use. /Basé sur 3 heures/jour, 11¢/kWh. Les coûts dépendent du tarif et de la fréquence d'utilisation. | |
| Life/Vie | 23 years/ans |
| Based on 3 hrs/day. /Basé sur 3 heures/jour. | |
| Light Appearance/Apparence de l'éclairage | |
| Warm/Chaud | Cool/Froid |
| 2700K | |
| Energy Used/Énergie utilisée | 13 watts |

Code# PLT-10143
18W LED R40, WFL105 WW30

| Lighting Facts/ Facts d'éclairage | |
|--|--------------|
| Per Bulb/Par l'ampoule | |
| Brightness/Luminosité | 1230 lumens |
| Estimated Yearly Energy Cost/ Coût énergétique annual estimé | \$2.17 |
| Based on 3 hrs/day, 11¢/kWh. Cost depends on rates and use. /Basé sur 3 heures/jour, 11¢/kWh. Les coûts dépendent du tarif et de la fréquence d'utilisation. | |
| Life/Vie | 23 years/ans |
| Based on 3 hrs/day. /Basé sur 3 heures/jour. | |
| Light Appearance/Apparence de l'éclairage | |
| Warm/Chaud | Cool/Froid |
| 3000K | |
| Energy Used/Énergie utilisée | 18 watts |