

FEATURES & SPECIFICATIONS

INTENDED USE

Provides task or accent lighting in commercial, retail, hospitality and residential applications. Ideal for use under and over cabinets, display cases, task lighting, office lighting, coves and utility/work areas.

CONSTRUCTION

Low profile design, with on/off rocker switch. Can be direct wired or powered by 5' cord-and-plug (Included). Connect multiple fixtures with 13" connector cord (Included).

Rugged low profile aluminum housing, available in either white, bronze, or brushed nickel finish. Swivel head allows light to be directed to desired area.

ELECTRICAL

LEDs have a 50,000 hour L70 rated life. Provides warm color temperature, 3000 K or 2700 K with CRI 83, and even illumination.

Standard with stepdown 120V driver (120V, 60Hz).

Can be used with standard dimmable switches.

INSTALLATION

All mounting hardware included.

LISTINGS

CUL listed to US and Canadian safety standards. ENERGY STAR® and Title 24 qualified.

WARRANTY

5-year limited warranty. Complete warranty terms located at www.acuitybrands.com/CustomerResources/Terms_and_conditions.aspx

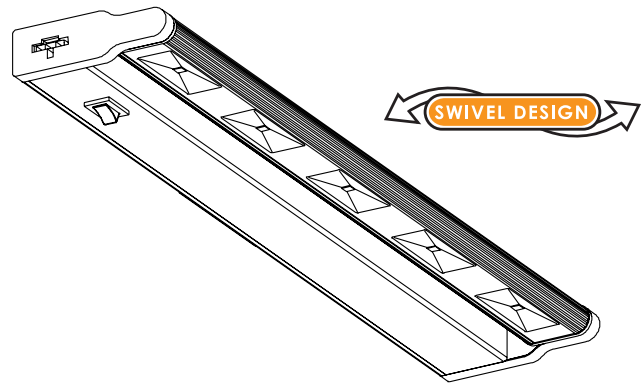
NOTE: Actual performance may differ as a result of end-user environment and application. All values are design or typical values, measured under laboratory conditions at 25°C. Specifications subject to change without notice.

Catalog Number
Notes
Type

Indoor General Purpose

LED Cabinet Light

Linkable



Specifications

Length: UCLD 12 - 12 (30.5)

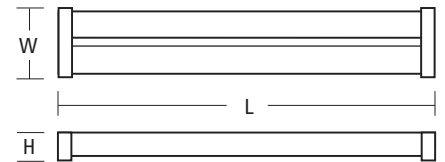
UCLD 18 - 18 (45.7)

UCLD 24 - 24 (60.9)

Width: 3-5/8 (9.2)

Height: 1 (2.5)

All dimensions are inches (centimeters)



ORDERING INFORMATION

For shortest lead times, configure products using **bolded options**.

Example: UCLD 12 WH

Series	Driver	Color temperature	Finish
UCLD 12 12" long with 3 LEDs	(blank) 120V dimmable driver	(blank) 3000 K 2700 2700 K	WH White
UCLD 18 18" long with 5 LEDs			BZ Bronze
UCLD 24 24" long with 7 LEDs			BN Brushed nickel

Accessories: Order as separate catalog number.

UCD JB	Splice box - allows for quick and easy direct wiring
UC ERC	1-1/8" row connector for end-to-end connections
UC ERC24	24" connector cord for longer length connections

UCLD LED Cabinet Light

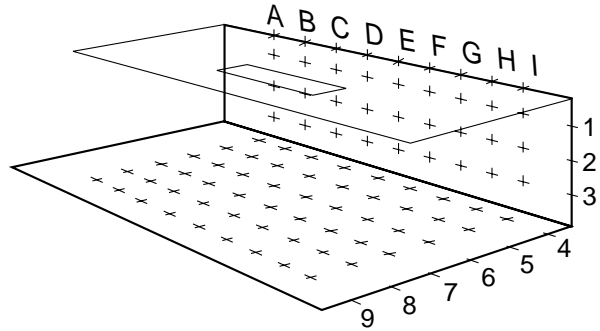
PHOTOMETRIC DIAGRAMS

Photometry derived in accordance with IESNA LM41 procedure. Vertical and horizontal illuminance is calculated with fixture mounted 17" from work surface. Full photometric data report available within 2 weeks from request. Consult factory.

UCLD 12 Report LTL 21648

Initial Point Illuminance on wall and horizontal work surface. (fc)
X and Y coordinates are on 6" centers.

	X	A	B	C	D	E	F	G	H	I	
Vertical	1	1	1	2	4	6	4	2	1	1	Avg.=4 fc Max.=16 fc; Min.=1 fc Max. to min. ratio=16
	2	1	3	6	12	16	12	6	3	1	
	3	2	3	6	11	13	11	6	3	2	
Horizontal	4	3	5	9	15	18	15	9	5	3	Avg.=6 fc Max.=27 fc; Min.=1 fc Max. to min. ratio=27
	5	3	6	13	22	27	22	13	6	3	
	6	3	6	13	22	27	22	13	6	3	
	7	3	5	9	14	17	14	9	5	3	
	8	2	3	5	8	9	8	5	3	2	
	9	1	2	3	4	4	4	3	2	1	



UCLD 18 Report LTL 21649

Initial Point Illuminance on wall and horizontal work surface. (fc)
X and Y coordinates are on 6" centers.

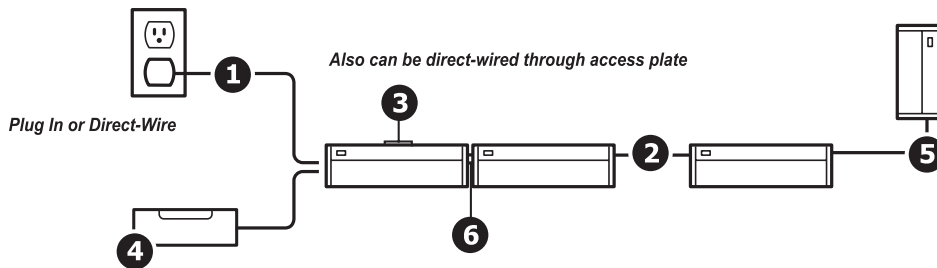
	X	A	B	C	D	E	F	G	H	I	
Vertical	1	1	2	4	7	8	7	4	2	1	Avg.=7 fc Max.=23 fc; Min.=2 fc Max. to min. ratio=11.5
	2	3	5	11	19	23	19	11	5	3	
	3	3	6	11	17	20	17	11	6	3	
Horizontal	4	5	9	16	25	28	25	16	9	5	Avg.=11 fc Max.=42 fc; Min.=1 fc Max. to min. ratio=42
	5	6	12	23	36	42	36	23	12	6	
	6	6	12	23	35	41	35	23	12	6	
	7	5	9	16	23	27	23	16	9	5	
	8	3	5	9	12	14	12	9	5	3	
	9	2	3	5	6	7	6	5	3	2	

UCLD 24 Report LTL 21650

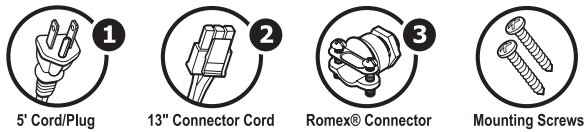
Initial Point Illuminance on wall and horizontal work surface. (fc)
X and Y coordinates are on 6" centers.

	X	A	B	C	D	E	F	G	H	I	
Vertical	1	2	3	6	9	10	9	6	3	2	Avg.=10 fc Max.=28 fc; Min.=2 fc Max. to min. ratio=14
	2	4	8	16	25	28	25	16	8	4	
	3	5	9	16	23	25	23	16	9	5	
Horizontal	4	7	14	23	32	36	32	23	14	7	Avg.=15 fc Max.=52 fc; Min.=2 fc Max. to min. ratio=26
	5	9	18	32	46	52	46	32	18	9	
	6	9	18	32	46	52	46	32	18	9	
	7	7	13	22	30	34	30	22	13	7	
	8	5	8	12	16	18	16	12	8	5	
	9	3	5	6	8	9	8	6	5	3	

Installation



Included



Accessories

sold separately



Suggested Dimmers

This fixture is designed to operate with most standard Triac Based (Forward Phase-Control or Leading Edge) dimmer and is not compatible with 0-10v dimming systems. Noted below is a listing of dimmers that have been tested with this fixture. This list of dimmers does not imply any guarantee or warranty of compatibility with a particular application. Dimmers that are not listed do not imply non-compatibility.

Lutron Diva DV-600P

Lutron SkyLark S-600P (Slide & On-Off Switch)

Lutron Ariadni AY-600P

Lutron Ariadni TG-603P

Lutron Maestro MA-600 (Digital Fade Dimmer)

Leviton IllumaTech IPI06-1LX

Leviton ToggleTouch TGI06-1LW (Digital Control)

Lutron MAELV-600BL (Digital Trailing Edge)

Lutron DVELV-300P-WH (Trailing Edge)

Note: When the installation exceeds 10 fixtures on a single dimmer or distribution lengths exceed 100 feet, please confirm that the end product performs properly. This is caused by a high degree of variability in the triac dimmers.



UCLD

UCLD LED Cabinet Light

LED lighting facts
A Program of the U.S. DOE

Light Output (Lumens) **226**
Watts **5.2**
Lumens per Watt (Efficacy) **43**

Color Accuracy
Color Rendering Index (CRI) **83**

Light Color
Correlated Color Temperature (CCT) **2981 (Warm White)**

2700K 3000K 4500K 6500K

All results are according to IESNA LM-79-2008: Approved Method for the Electrical and Photometric Testing of Solid-State Lighting. The U.S. Department of Energy (DOE) verifies product test data and results.

Visit www.lightingfacts.com for the Label Reference Guide.

Registration Number: NJSM-0NGSNF (1/21/2012)
Model Number: UCLD 12
Type: Under-cabinet or Shelf-mounted light.

LED lighting facts
A Program of the U.S. DOE

Light Output (Lumens) **377**
Watts **8.6**
Lumens per Watt (Efficacy) **44**

Color Accuracy
Color Rendering Index (CRI) **83**

Light Color
Correlated Color Temperature (CCT) **2970 (Warm White)**

2700K 3000K 4500K 6500K

All results are according to IESNA LM-79-2008: Approved Method for the Electrical and Photometric Testing of Solid-State Lighting. The U.S. Department of Energy (DOE) verifies product test data and results.

Visit www.lightingfacts.com for the Label Reference Guide.

Registration Number: NJSM-K628XX (2/20/12)
Model Number: UCLD 18
Type: Under-cabinet or Shelf-mounted light.

LED lighting facts
A Program of the U.S. DOE

Light Output (Lumens) **504**
Watts **11.8**
Lumens per Watt (Efficacy) **43**

Color Accuracy
Color Rendering Index (CRI) **83**

Light Color
Correlated Color Temperature (CCT) **2996 (Warm White)**

2700K 3000K 4500K 6500K

All results are according to IESNA LM-79-2008: Approved Method for the Electrical and Photometric Testing of Solid-State Lighting. The U.S. Department of Energy (DOE) verifies product test data and results.

Visit www.lightingfacts.com for the Label Reference Guide.

Registration Number: NJSM-JZ3E2Q (1/27/2012)
Model Number: UCLD 24
Type: Under-cabinet or Shelf-mounted light.

LED lighting facts
A Program of the U.S. DOE

Light Output (Lumens) **211**
Watts **5.2**
Lumens per Watt (Efficacy) **41**

Color Accuracy
Color Rendering Index (CRI) **83**

Light Color
Correlated Color Temperature (CCT) **2700 (Warm White)**

2700K 3000K 4500K 6500K

All results are according to IESNA LM-79-2008: Approved Method for the Electrical and Photometric Testing of Solid-State Lighting. The U.S. Department of Energy (DOE) verifies product test data and results.

Visit www.lightingfacts.com for the Label Reference Guide.

Registration Number: NJSM-HAGF J1 (2/28/2013)
Model Number: UCLD 12 2700
Type: Under-cabinet or Shelf-mounted light.

LED lighting facts
A Program of the U.S. DOE

Light Output (Lumens) **347**
Watts **8**
Lumens per Watt (Efficacy) **43**

Color Accuracy
Color Rendering Index (CRI) **83**

Light Color
Correlated Color Temperature (CCT) **2700 (Warm White)**

2700K 3000K 4500K 6500K

All results are according to IESNA LM-79-2008: Approved Method for the Electrical and Photometric Testing of Solid-State Lighting. The U.S. Department of Energy (DOE) verifies product test data and results.

Visit www.lightingfacts.com for the Label Reference Guide.

Registration Number: NJSM-QZ5WY3 (2/13/2013)
Model Number: UCLD 18 2700
Type: Luminaires - Desk/Task.

LED lighting facts
A Program of the U.S. DOE

Light Output (Lumens) **472**
Watts **11**
Lumens per Watt (Efficacy) **43**

Color Accuracy
Color Rendering Index (CRI) **83**

Light Color
Correlated Color Temperature (CCT) **2700 (Warm White)**

2700K 3000K 4500K 6500K

All results are according to IESNA LM-79-2008: Approved Method for the Electrical and Photometric Testing of Solid-State Lighting. The U.S. Department of Energy (DOE) verifies product test data and results.

Visit www.lightingfacts.com for the Label Reference Guide.

Registration Number: NJSM-SVTLES (2/13/2013)
Model Number: UCLD 24 2700
Type: Luminaires - Desk/Task.



UCLD