

Catalog Number
Notes
Type

FEATURES & SPECIFICATIONS

INTENDED USE

Provides maintenance-free general illumination for outdoor applications. Ideal illumination for walkways, yards, patios, play areas and driveways creating an inviting exterior space as well as providing safety and security.

CONSTRUCTION

Two tool-free adjustable heads allow for easy aiming up/down or side to side. Rugged cast aluminum, corrosion-resistant housing in bronze or white. Clear acrylic lenses are fully gasketed to keep out moisture, dirt and bugs.

Each head contains (3) 5000K* high performance LEDs. Lumen output of 1,222 is maintained at 50,000 hour life. LED driver is 120V and operates at 60Hz.

Dual array motion sensor provides 180° detection with up to 70 feet forward range, and additional downward perimeter protection. Sensitivity and on-time adjustable knobs provide precision control, and the sensor has a manual override option. An integrated photocell prevents activation during daylight.

* Nominal correlated color temperature per ANSI C78-377-2008.

INSTALLATION

Wall or eave mount.

All mounting hardware included.

LISTINGS

UL/C-UL Certified to US and Canadian safety standards. Wet location listed.

WARRANTY

Five-year limited warranty. Full warranty terms located at www.acuitybrands.com/CustomerResources/Terms_and_conditions.aspx.

Outdoor General Purpose

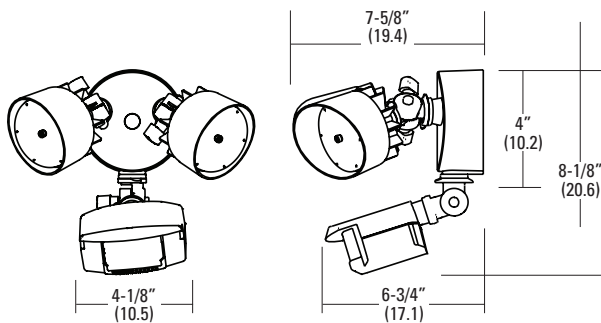
LED Floodlight with Motion Sensor 2 Adjustable Heads

High Performance LED



Dimensions

All dimensions are inches (centimeters)



ORDERING INFORMATION

For shortest lead times, configure products using **bolded options**.

Example: OFLR 6LC 120 MO BZ

OFLR	6LC	120	MO	
Series	No. of Heads	Ballast/Voltage	Features	Finish
OFLR LED Floodlight	6LC 2 heads	120 120V residential electronic ballast	MO Motion Sensor	BZ Bronze WH White

2-Head LED Floodlight with Motion Sensor

PHOTOMETRICS

Full photometric data report available within 2 weeks from request. Consult factory.

