

HLF-400MHA-XL-X-075-XXXX

LED AREA LIGHT - SHOE BOX

IP65

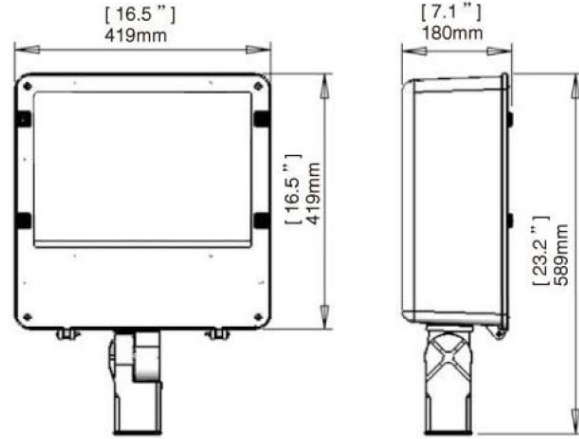
Environment Temperature
-30°F ~ +130°F

Environment Humidity
≤95%

Lifespan
50,000hrs



Last up to
50.000 hrs



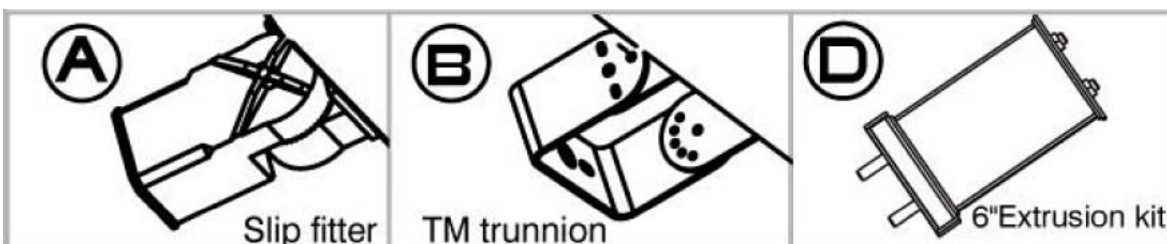
75W LED Area Lighting - Shoe Box Products Specification

FEATURES

- Replace up to 250Watt Metal Halide
- Universal 120-277V
- Mercury Free: no UV
- Heavy-duty cast aluminum housing; rust and corrosion proof;polyester powder coating
- Different mounting bracket are available
- Modular design,carrying big range from power from 75W to 110W.
- 4KV surge protector inside of power supply
- Occupancy and bi-level power supply compatible
- LM-79/80 data available
- 5 Year Limited Warranty

CONSTRUCTION

- Fixture:Heavy-duty cast aluminum housing; rust and corrosion proof;polyester powder coat
- Lens: High light transmittance tempered glass
- LEDs: Top grade LED, high-output,long-life; CREE,SEOUL,SAMSUNG and so on
- Heat Sink:Aluminium sink attached to the housing directly to reduce LED heats and add to life
- LED Driver: IP65/ Constant current meets UL1310 UL 48 Class 2
- Finish: Dark bronze or white finish. Environmentally friendly polyester powder coatings.
- Mounting: Slip fitter、 TM trunnion and 6" Extrusion kits are optional.



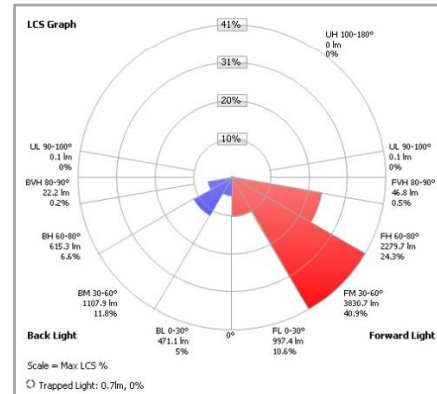
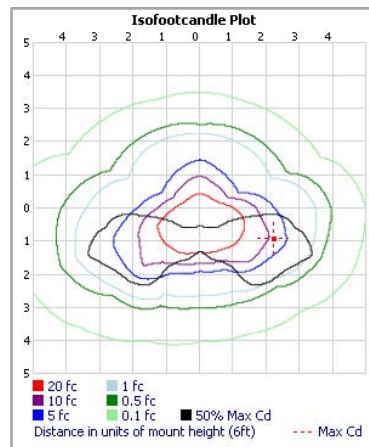
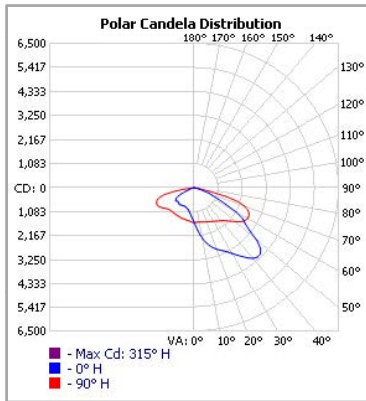
HLF-400MHA-XL-X-075-XXXX

LED AREA LIGHT - SHOE BOX

SPECIFICATION

Item No.	Specification	Data
General Performance	Input Wattage	75
	Initial Lumens	6074
	Efficacy	80
	Input Voltage	120-277V/50-60HZ
	CRI	73
	CCT	5000K
	Power Factor	≥0.95
	THD	≤15%
	Driver Type	Constant Current / Class 2
	Surge Protector	4KV inside of Driver
	Luminaire	50000HRS
Physical	Dimension	16.5"x16.5"x7.1" (w/o arm)
	Weight	20.3lbs(9.2kgs)
Operation Condition	Operating Temperature	-30°F ~ +130°F
	Humidity	≤95%
Certificate	Certification	ETL,cETL,LM80
	Environment	Suitable for Wet Location
	Material	Rohs compliant

PHOTOMETRY



ZONE	LUMENS	% LAMP	% LUMINAIRE
0-30	1,468.7	15.7%	15.7%
0-40	2,705.7	28.9%	28.9%
0-60	6,407.7	68.4%	68.4%
60-90	2,964.0	31.6%	31.6%
70-100	928.5	9.9%	9.9%
90-120	0.1	0%	0%
0-90	9,371.7	100%	100%
90-180	0.1	0%	0%
0-180	9,371.8	100%	100%

ROADWAY SUMMARY	
CUTOFF CLASSIFICATION:	CUTOFF
DISTRIBUTION:	TYPE III, SHORT
MAX CD, 90 DEG VERT:	6.0
MAX CD, 80 TO <90 DEG:	860.0
	LUMENS % LAMP
DOWNWARD STREET SIDE:	7,154.7 76.3%
DOWNWARD HOUSE SIDE:	2,216.5 23.7%
DOWNWARD TOTAL:	9,371.2 100%
UPWARD STREET SIDE:	0.1 0%
UPWARD HOUSE SIDE:	0.0 0%
UPWARD TOTAL:	0.1 0%
TOTAL LUMENS:	9,371.3 100%

LUMENS PER ZONE			
ZONE	LUMENS	% TOTAL	ZONE LUMENS % TOTAL
0-10	153.2	1.6%	90-100 0.1 0%
10-20	481.8	5.1%	100-110 0 0%
20-30	833.8	8.9%	110-120 0 0%
30-40	1,237.0	13.2%	120-130 0 0%
40-50	1,701.2	18.2%	130-140 0 0%
50-60	2,000.8	21.3%	140-150 0 0%
60-70	2,035.7	21.7%	150-160 0 0%
70-80	858.9	9.2%	160-170 0 0%
80-90	69.4	0.7%	170-180 0 0%

LCS TABLE		
BUG RATING	B2 - U1 - G2	
FORWARD LIGHT	LUMENS	LUMENS %
LOW(0-30):	997.4	10.6%
MEDIUM(30-60):	3,830.7	40.9%
HIGH(60-80):	2,279.7	24.3%
VERY HIGH(80-90):	46.8	0.5%
BACK LIGHT		
LOW(0-30):	471.1	5%
MEDIUM(30-60):	1,107.9	11.8%
HIGH(60-80):	615.3	6.6%
VERY HIGH(80-90):	22.2	0.2%
UPLIGHT		
LOW(90-100):	0.1	0%
HIGH(100-180):	0	0%
TRAPPED LIGHT:	0.7	0%

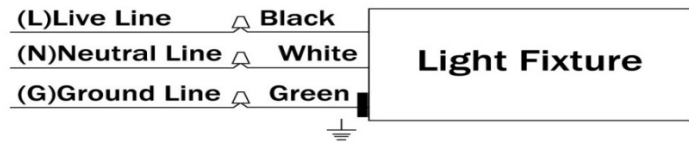
HLF-400MHA-XL-X-075-XXXX

LED AREA LIGHT - SHOE BOX

WIRING

Universal voltage driver permits operation at 100V to 277VAC, 50 or 60Hz except fixtures factory ordered with a 120V photocell (/PC).

1. Connect the black fixture lead to the (L) LINE supply lead.
2. Connect the white fixture lead to the (N) COMMON supply lead.
3. Connect the bare copper Ground wire from fixture to supply lead.



Wiring diagram