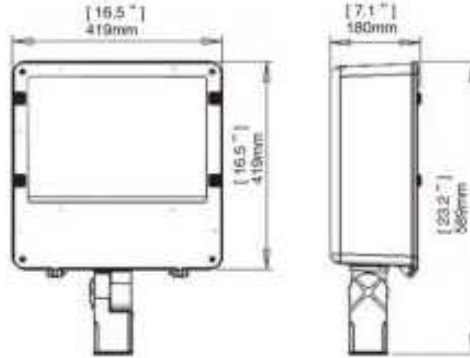


110W LED Outdoor area/roadway fixture Light (HLF-400MHA-AL)



110W LED Outdoor area/roadway fixture Light Technical Data

LED Light Engine

High quality CREE Chips, 110W output, UL listed
long-life LED drivers constant current 700mA, 100-277VAC, 50-60HZ.

Housing

Die-cast aluminum housing with anti-static powder painting

Mounting

Yoke mount(Standard mount)

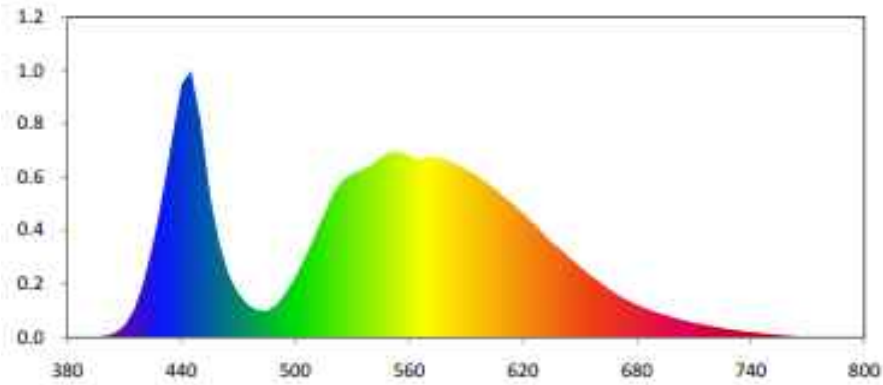
Slip Fitter(Optional, if you need, pls specify it on the order)

Arm Mounted(Optional, if you need, pls specify it on the order)

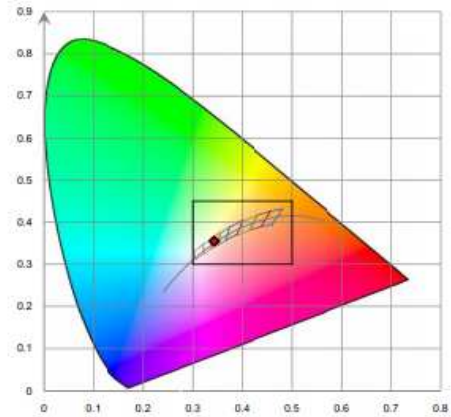
Eco-friendly Technology

LED products are Mercury and UV free

Spectral Distribution



CIE1931 Chromaticity Diagram



Cleaning & Maintenance:

Caution: Be sure fixture temperature is cool enough to touch.

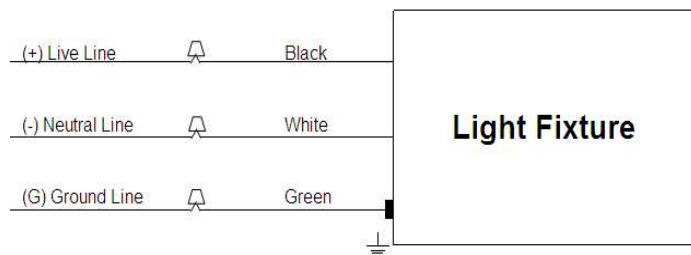
Do not clean or maintain while fixture is energized.

1. Clean glass lens with non-abrasive glass cleaning solution.
2. Do not open the fixture to clean the LED. Do not touch the LED.

Wiring Instruction

Universal Voltage LED driver permits operation at 100V to 277VAC, 50 or 60Hz.

1. Connect the BLACK fixture wire to the (L) Live Line supply wire.
2. Connect the WHITE fixture wire to the (N) Neutral Line supply wire.
3. Connect the GREEN fixture wire to the (G) Ground Line supply ground.



WARNING

THIS PRODUCT MUST BE INSTALLED IN ACCORDANCE WITH THE APPLICABLE INSTALLATION CODE BY A PERSON FAMILIAR WITH THE CONSTRUCTION AND OPERATION OF THE PRODUCT AND THE HAZARDS INVOLVED