



MasterColor CDM-R Elite

MASTERColor CDM-R Elite 35W/930 Med PAR20 30D

The Elite family is at the very top of the MasterColor CDM range, and gives a unique combination of unbeatable light quality and consistent performance over lifetime, while keeping running costs low. MasterColor metal halide lamps deliver consistent white light and higher color rendering than any standard metal halide source for architectural lighting. MasterColor CDM Elite PAR30L lamps deliver similar performance as the MasterColor Elite family lamps in the familiar PAR30L shape.

Product data

• General Characteristics

Base	Medium [Single Contact Medium Screw]
Bulb	PAR20 [PAR 2.5 inch]
Bulb Finish	Clear
Operating Position	Universal [Any or Universal (U)]
Avg. Hrs. Life	15000 hr

• Light Technical Characteristics

Beam Description	Flood [Flood]
Beam Angle	30 D
Approx. MBCP	5800 cd
Color Code	930 [CCT of 3000K]
Color Rendering Index	88 (min), 91 (nom) Ra8
Color Designation	Warm White
Color Temperature	3000 K
Color Temperature technical	2950 K
Forward Luminous Output	2160 (min), 2400 (nom) Lm
Forward Luminous Efficacy	62 Lm/W
LLMF - end nominal lifetime	80 %
Forward Lum Maintenance 15000h	80 %
Design Mean Lumens	2040 Lm
Chromaticity Coordinate X	0.439 -
Chromaticity Coordinate Y	0.400 -
Luminous flux in 90° cone	2100 Lm

• Electrical Characteristics

System Power EL	43 W
Watts	35 W
Lamp Wattage EL	35 W
Lamp Wattage EL 25°C, Rated	39.0 W
Lamp Voltage	90 V
Lamp Current EL	0.430 A
Ignition Time	30 (max) s
Run-up time 90%	3 (max) min
Re-ignition Time [min]	15 (max) min
Dimmable	No
Warm-up Time to 60% Light Outp	120 s

• Environmental Characteristics

Energy Efficiency Label (EEL)	-
Mercury (Hg) Content	4.7 mg
Energy consumption kWh/1000h	43 kWh

• Measuring Conditions

Switching cycle	1350X
-----------------	-------

• Luminaire Design Requirements

Cap-Base Temperature	200 (max) C
Bulb Temperature	300 (max) C

PHILIPS

MasterColor CDM-R Elite

• Product Dimensions

Overall Length C	95 (max) mm
Diameter D	65 (max) mm
Max Overall Length (MOL) - C	3.75 (max) in

• Product Data

Product number	434191
Full product name	MASTERColor CDM-R Elite 35W/930 Med PAR20 30D

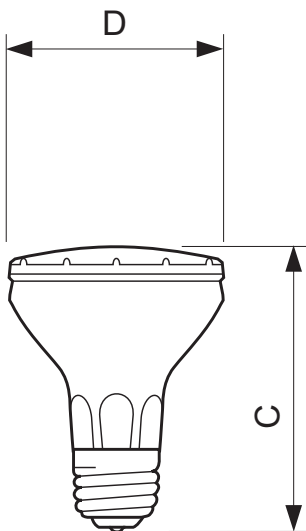
Short product name	CDM-R Elite 35W/930 E26/24 PAR20 30D
Pieces per Sku	1
eop_pck_cfg	12
Skus/Case	12
Bar code on pack	46677434199
Bar code on case	50046677434194
Logistics code(s)	928050100615
eop_net_weight_pp	0.112 kg

Warnings and Safety

- R "WARNING: These lamps can cause serious skin burn and eye inflammation from short wave ultraviolet radiation if outer envelope of the lamp is broken or punctured. Do not use where people will

remain for more than a few minutes unless adequate shielding or other safety precautions are used. Certain lamps that will automatically extinguish when the outer envelope is broken or punctured are commercially available." This lamp complies with FDA radiation performance standard 21 CFR subchapter J. (USA:21 CFR 1040.30 Canada: SOR/DORS/80-381)

Dimensional drawing

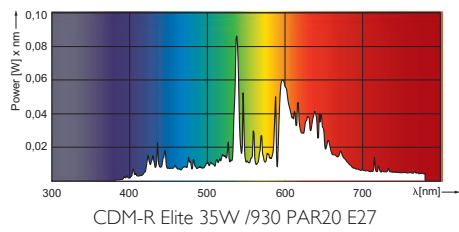


E26

MASTERColor CDM-R Elite 35W/930 Med PAR20 30D

Product	C (Max)	D (Max)
CDM-R Elite 35W/930 E26 PAR20 30D	95	65

Photometric data



© 2015 Koninklijke Philips N.V. (Royal Philips)
All rights reserved.

Specifications are subject to change without notice. Trademarks are the property of Koninklijke Philips N.V. (Royal Philips) or their respective owners.

www.philips.com/lighting

2015, April 27
data subject to change