



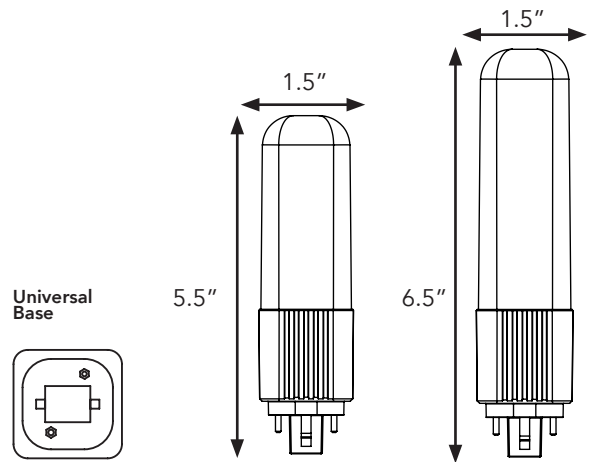
## PLC REWIRE

5.5" 6.5"

With a universal base that is compatible with 2-pin diagonal and 4 pin fluorescent sockets, Kobi Electric LED PLC Rewire lamps are low maintenance and energy efficient alternatives for traditional PL tube compact fluorescent lamps. They are designed for 90-277V AC directly from mains, and have a dedicated internal driver, rendering the fluorescent ballast unnecessary. Unlike fluorescents, our PLC lamps start instantly with no warm up time.

### SPECIFICATIONS

EQUIVALENT	13-26 Watt CFL
AVERAGE RATED LIFE	25,000 hrs
HOUSING	Plastic
BASE	Universal for 2-pin diagonal and 4-pin sockets
POWER	90-277V, 60Hz
LENS	Frosted
BEAM	320°
COLOR (K)	2700, 4100, 5000



### BENEFITS

- Up to 47% more efficient than CFL equivalent
- Longer life and lower maintenance costs
- Mercury and Lead free, as well as UV and IR free
- Instant on to full brightness, no warm up
- No ballast needed

### APPLICATION INFORMATION

Applications	Market Segments
— Security Lighting	— Hospitality
— Downlighting	— Commercial
— Sconces	— Industrial
	— Multi-Family Housing

### Application Notes

1. Operating temperature range between -20°C and +45°C (-4°F and +113°F)
2. Not for use with emergency light fixtures or exit lights
3. Not for use in totally enclosed fixture
4. Suitable for indoor/damp locations and sheltered outdoor use
5. Ballast bypass required, wiring direct to mains voltage

This device complies with Part 15 of the FCC rules and has been tested and found to comply with the limits for a Class B digital device. These limits are designed to provide reasonable protection against harmful interference in a residential installation. This equipment uses and can radiate radio frequency energy and, if not installed and used in accordance with the instructions, may cause harmful interference to radio communications. Any changes or modifications not expressly approved by the manufacturer could void the user's authority to operate the equipment.

### CERTIFICATIONS



LM79 reports are available upon request.

Based on 12 hours of use per day.

## 5.5"

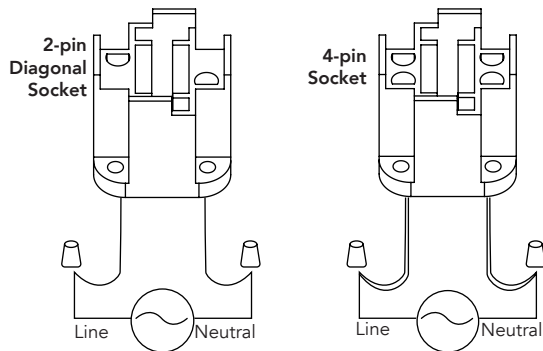
Order Code	Part Number	Wattage (W)	Equals (W)	Base (Universal)	Lens	Voltage (V)	CCT <sup>1</sup>	Typical Lumens <sup>2</sup>	CRI <sup>3</sup>	Dim	Beam	Case Quantity
K0N4	LED-700-PL-G24-5.5-27-MV-NB	8	13W CFL	G24	Frosted	90-277	2700	700	79	No	320°	24
K0N5	LED-700-PL-G24-5.5-41-MV-NB	8	13W CFL	G24	Frosted	90-277	4100	700	83	No	320°	24
K3N8	LED-700-PL-G24-5.5-50-MV-NB	8	13W CFL	G24	Frosted	90-277	5000	700	84	No	320°	24
K9L9	LED-1000-PL-G24-5.5-27-MV-NB	11	18W CFL	G24	Frosted	90-277	2700	1000	81	No	320°	24
K0L1	LED-1000-PL-G24-5.5-41-MV-NB	11	18W CFL	G24	Frosted	90-277	4100	1000	83	No	320°	24
K3N9	LED-1000-PL-G24-5.5-50-MV-NB	11	18W CFL	G24	Frosted	90-277	5000	1000	84	No	320°	24


## 6.5"

Order Code	Part Number	Wattage (W)	Equals (W)	Base (Universal)	Lens	Voltage (V)	CCT <sup>1</sup>	Typical Lumens <sup>2</sup>	CRI <sup>3</sup>	Dim	Beam	Case Quantity
K0L4	LED-1400-PL-4P-6.5-27-MV-NB	15	26W CFL	G24	Frosted	90-277	2700	1400	78	No	320°	24
K0L5	LED-1400-PL-4P-6.5-41-MV-NB	15	26W CFL	G24	Frosted	90-277	4100	1400	84	No	320°	24
K4N0	LED-1400-PL-4P-6.5-50-MV-NB	15	26W CFL	G24	Frosted	90-277	5000	1400	84	No	320°	24

1. Thermally stable typical CCT (±10%) 2. Thermally stable typical lumens (±10%) 3. CRI - Color Rendering Index

### WIRING OVERVIEW



 If not qualified, do not attempt installation. Contact a qualified electrician.

For the most up-to-date specifications, visit [kobielectric.com](http://kobielectric.com).