

11210-239C-TC

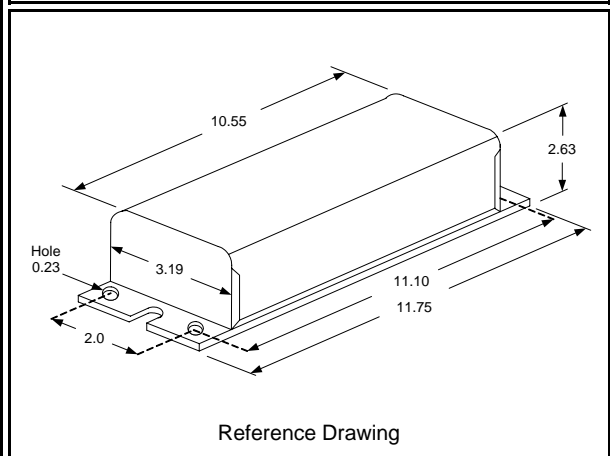
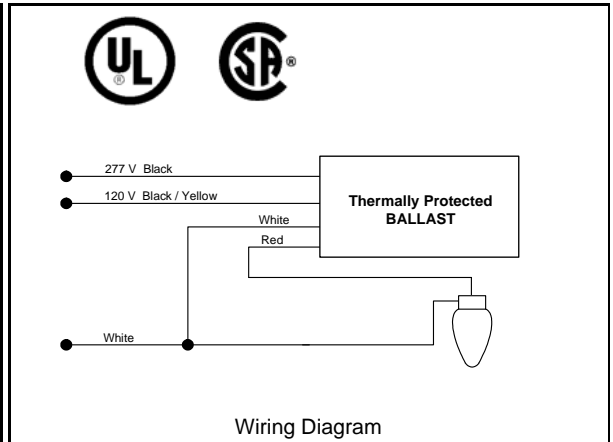
100W M90

Metal Halide

60Hz HX-HPF

Specification Sheet

Input Volts	120	277			
Regulation					
Line Volts	±5%	±5%			
Lamp Watts	±10%	±10%			
Power Factor (min)	90%	90%			
Input Watts	125 W	125 W			
NOM. Open Circuit Voltage	250 V	250 V			
Line Current (Amps)					
Operating	1.10	0.50			
Open Circuit	2.20	1.00			
Starting	1.10	0.50			
Recommended Fuse (Amps)	6	3			
Lamp Dropout Voltage (Line)	65 V	150 V			
Ratings					
Insulation Class	A (105°C)	A (105°C)			
Sound Rating	B	B			
MIN. Starting Temperature	-22°F -30°C	-22°F -30°C			
CAPACITOR Specifications					
Microfarads	-	-			
Volts (min.)	-	-			
60Hz Test Procedures					
High Potential Test 1 Minute	2000 V	2000 V			
High Potential Test 1 Second	2500 V	2500 V			
Secondary Open Ckt Voltage (V)	225 - 275	225 - 275			
Secondary Current Shorted (A)	1.20 - 1.50	1.20 - 1.50			
Input Operating Current (A)	0.95 - 1.25	0.40 - 0.55			
Input Open Circuit Current (A)	1.10 - 3.20	0.50 - 1.45			
Input Short Circuit Current (A)	0.75 - 1.35	0.30 - 0.60			
Physical Characteristics					
Weight	11 lbs	11 lbs			
Lead Lengths (inches)	12-14	12-14			
Coil Material (Pri. / Sec.):	Cu / Cu	Cu / Cu			



Capacitor: Internal **Ignitor: Internal**

BTL:

Insulate unused input lead with proper electrical insulation

Anchor bracket / tab provided for splice box SB-4 (not included)

Document #:	010-12694-00
Date:	9/26/2007
Status:	Production
Replaces Catalog #:	New Design