



LED ER40-1000

Part #: EBBR4017DM Bulb Type: BR40



Product Description

Euri's ER40-1000 substitutes conventional 100 Watt incandescent bulbs by reducing energy consumption and providing a more natural and richer lighting experience. Its dynamic design extends durability providing constant bulb performance. Enjoy features such as instant turn on/ turn off capabilities, dimming options, and mercury free exposure.



Estimated Energy Cost: \$2.23 per year

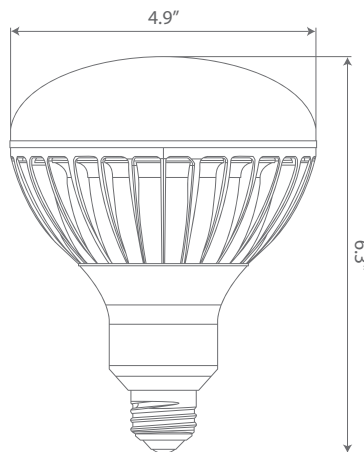
Specifications

| | | | | | |
|-------------|-------------------|--------------|---------------|-------------|---------------|
| Input Power | Input Voltage | Lumen Output | Beam Angle | Center Beam | CCT |
| 18.5 W | 120 V | 1440 lm | 115° | 411 cd | 3000 K |
| CRI | Luminous Efficacy | Power Factor | Input Current | Base | Lamp Lifespan |
| 81 | 80 lm/W | 0.9 | 0.1 A | E26 | 25000 Hrs. |

Features

- Dimmable
- Instant-On/Off
- Mercury Free
- Energy Efficient

Dimensions



Photometric Data

