

DLS56 900lm

Surface Mount LED Downlight

Project _____

Date _____

Type _____

Product Description

The DLS56 from NICOR® is the perfect LED downlight for surface mount applications. With the DLS all that is required for installation is a 4/0 J-box. If there is already a housing in place, don't fret - the DLS is versatile enough for use in most 4" recessed housings. Upgrading to energy efficient LED lighting has never been easier, or more affordable. The DLS is dimmable to 10%, suitable for use in wet locations, and available in 2700K, 3000K, or 4000K color temperatures. The NICOR DLS provides superior efficacy and a longer life than compact fluorescents, with the pleasant light quality you expect from an incandescent lamp.

Construction

Die cast aluminum trim routes heat away from electrical components
Low profile, integrated driver, allows for surface mount installation of 4/0 J-box

Optical System

White polycarbonate diffuser eliminates hot spots creating a pleasantly uniform light distribution

Electrical

Utilizes high performing Nichia® brand LEDs with greater than 90 CRI and an R9 greater than 50
Dimmable to 10% with most standard dimmers
Thermally protected, high efficiency driver
Operating temperature rating of 0°F to 120°F (-18°C to 49°C)
Input voltage of 120V
Lifetime rated for greater than 50,000 hours
LM79, LM-80 testing performed in accordance with IESNA standards

Finish

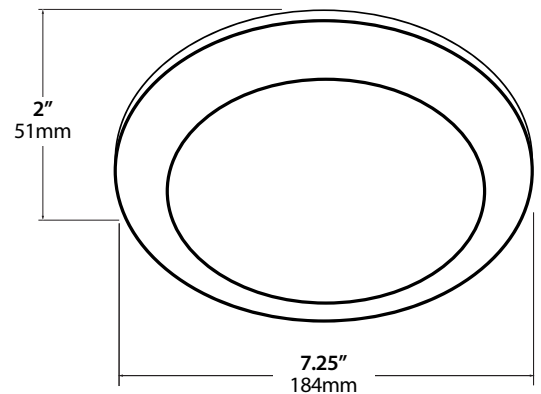
Exterior white powder coat finish

Installation

Compatible with most 5" and 6" recessed housings
Easy installation with snap-in mounting bracket over a plastic or metal 4/0 J-box

Warranty

5-year limited system warranty standard



PRODUCT INFORMATION

LED Lifetime (Hrs):	50,000
Input Voltage (V)	120V
Power Draw (W)	15
Fixture Height	2 in (53 mm)
Trim Width:	7.25 in (185 mm)



Ordering Information

Example: DLS56-2009-120-3K-WH

Series	Version	Voltage	CCT's	Trim Color
DLS56	2009 (2.0 900lm)	120	2K (2700)	WH (white)
			3K (3000)	
			4K (4000)	

Photometric Data - Type C Gonio Photometer

2700K DLS56* 900lm

Luminaire	2700K
Input Voltage (VAC)	120
System Level Power (W)	15
Delivered Lumens (Lm)	1000
System Efficacy (Lm/W)	67
Correlated Color Temp (K)	2642
Color Rendering Index (CRI)	95 R9=64



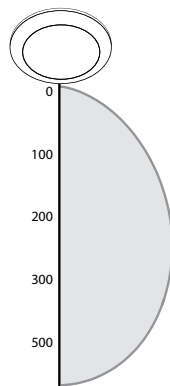
Zonal Lumen Summary**

Zone	Lumens	% of Luminaire
0-30	276	27.60%
0-40	446	44.60%
0-60	770	77.00%
0-90	1000	100.00%
90-180	0	0%
0-180	1000	100.00%

*Integrating sphere data
**Type C Goniophotometer data

3000K DLS56* 900lm

Luminaire	3000K
Input Voltage (VAC)	120
System Level Power (W)	15
Delivered Lumens (Lm)	1025
System Efficacy (Lm/W)	68
Correlated Color Temp (K)	2992
Color Rendering Index (CRI)	95 R9=64



Zonal Lumen Summary**

Zone	Lumens	% of Luminaire
0-30	283	27.60%
0-40	457	44.60%
0-60	789	77.00%
0-90	1025	100.00%
90-180	0	0%
0-180	1025	100.00%

*Integrating sphere data
**Type C Goniophotometer data

4000K DLS56* 900lm

Luminaire	4000K
Input Voltage (VAC)	120
System Level Power (W)	15
Delivered Lumens (Lm)	1055
System Efficacy (Lm/W)	70
Correlated Color Temp (K)	3961
Color Rendering Index (CRI)	95 R9=64



Zonal Lumen Summary**

Zone	Lumens	% of Luminaire
0-30	291	27.60%
0-40	471	44.60%
0-60	812	77.00%
0-90	1055	100.00%
90-180	0	0%
0-180	1055	100.00%

*Integrating sphere data
**Type C Goniophotometer data