

# AR70 and AR111

## Low Voltage Halogen Lamps



SYLVANIA AR lamps are outstanding low voltage halogen light sources that produce an unparalleled beam of controlled light. The high precision aluminum reflectors contain a low-pressure halogen light source made with UV-stop quartz. The result of this capsule construction is that the lamps do not require shielding.\*

The combination of an axial filament capsule, a computer designed reflector and a cap to eliminate capsule glare creates a lamp with exceptional performance: High center beam candle power values; a smooth, even beam; and a clear, sharp cutoff.

### Key Features & Benefits

- Unparalleled beam performance
- Aluminum reflectors
- 3000-hour average rated life
- UV-stop capsule
- Tightly controlled beam with sharp cut-off
- Suitable for use without shielding\*

\*SYLVANIA does not require lamp containment shielding. Consult most recent UL standards for luminaire requirements.

### Product Offering

Product	Beam Angle
<b>AR70</b> (20 Watt & 50 Watt)	Spot 8°, Flood 25°
<b>AR111</b>	
35 Watt – 6 Volt	Super Spot 4°
35 Watt	Super Spot 4°, Spot 8°, Flood 25°
50 Watt	Super Spot 4°, Spot 8°, Flood 25°
75 Watt	Spot 8°, Flood 25°
100 Watt	Spot 8°, Flood 25°, Wide Flood 45°

### Fixture Availability

#### AR111

Belfer	Kramer	Rojey
Capri	Kurt Versen	Staff
CSL	Lightolier	Translite
Flos	LSI	
Kirlin	Lumiere	

#### AR70

Belfer	Kirlin	Omega
Capri	Kurt Versen	Rojey
Cooper	Lightolier	Staff
Edison Price	LSI	Translite

### Application Information

#### Applications

- Artwork and sculpture
- Atriums
- High-end residential/commercial
- Retail

#### AR111

- Exceptional beam control
- Fully dimmable
- Socket: G53 (push in or screw terminal)
- Long distance throws (up to 50,000 CBCP)
- Interchangeable with PAR36 in shielded fixtures
- For use in downlight, track and accent fixtures

#### AR70

- Exceptional beam control
- Fully dimmable
- Socket; BA15D
- Smooth, non scattered beam pattern
- Small profile
- Long distance throws
- For use in downlight, track and accent fixtures



## Specification Data

Catalog #	Type
Project	
Comments	
Prepared by	Date

## Ordering Information

Item Number	Ordering Abbreviation	Watts	Volts	Base	Average Rated Life (hrs.)	CBCP (cd)	Beam Angle
59013	20AR70/SP8	20	12	BA15D	3,000	7,700	8°
59012	20AR70/FL25	20	12	BA15D	3,000	900	25°
59017	50AR70/SP8	50	12	BA15D	3,000	12,500	8°
59016	50AR70/FL25	50	12	BA15D	3,000	2,600	25°
55102	35AR111/SSP4	35	12	G53	3,000	45,000	4°
55110	35AR111/SP8	35	12	G53	3,000	14,000	8°
55114	35AR111/FL25	35	12	G53	3,000	2,500	25°
55105	50AR111/SSP4	50	12	G53	3,000	50,000	4°
55104	50AR111/SP8	50	12	G53	3,000	20,000	8°
55103	50AR111/FL25	50	12	G53	3,000	3,500	25°
55125	75AR111/SP8	75	12	G53	3,000	30,000	8°
55123	75AR111/FL25	75	12	G53	3,000	5,300	25°
55129	100AR111/SP8	100	12	G53	3,000	48,000	8°
55127	100AR111/FL25	100	12	G53	3,000	8,500	25°
55128	100AR111/WFL45	100	12	G53	3,000	2,800	45°

## Ordering Guide

20	AR	70	/	SP	10
Wattage 20, 35, 50 75, 100	Aluminum Reflector	Diameter 70 = 70mm 111 = 111mm		Beam Spread SSP = Super Spot SP = Spot FL = Flood WFL = Wide Flood	Beam Angle 4° 8° 25° 45°

## Lamp Comparison

Item Number	Ordering Abbreviation	Watts	Beam Angle	Average Rated Life (hrs.)	CBCP (cd)
59017	50AR70/SP8	50	8°	3,000	15,000
	Brand X 50ALR18/SP10	50	10°	2,000	12,000
	Brand X 50PAR20/HAL//SP10	50	10°	2,500	6,000
55104	50AR111/SP8	50	8°	3,000	23,000
	Brand X 50PAR36/H//NSP8	50	8°	4,000	30,000
55129	100AR111/SP8	100	8°	3,000	48,000
	Brand X 100PAR/H//SP10	100	10°	2,000	17,000

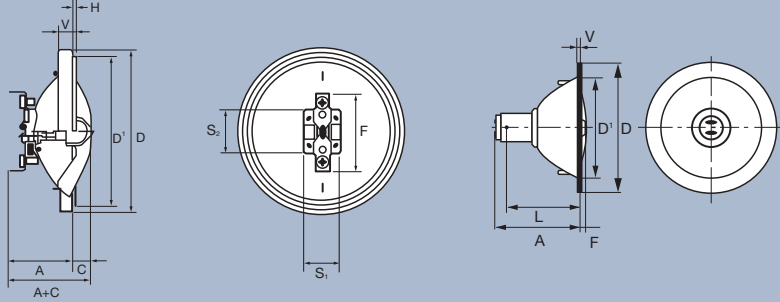
## Technical Information

## Sample Specification

### AR70/AR111

Lamp(s) shall be (a) 12V \_\_\_\_ halogen lamp(s) (AR70, AR111) with a UV-stop capsule, an aluminum reflector and a glare guard (70 or 111-mm diameter). Lamp(s) shall be \_\_\_\_ watts (20, 35, 50, 75 or 100) with a \_\_\_\_ beam spread (4°, 8°, 25° or 45°) or as noted on drawings/schedules. Lamp(s) shall have a \_\_\_\_ Base (BA15D double contact bayonet or G53 push or screw terminal base) and a 3000-hour average rated life.

### Dimensions



	AR111	mm	inch	AR70	mm	inch
Overall length	A + C	60	2.36	A + F	48.5	1.91
Projection of grip cap	C	15 ±0.5	0.59 +0.02	F	3.0 max.	0.12 max.
Length w/o grip cap	A	45 ±0.4	1.77 +0.02	A	45.5 +1	1.79 +0.04
Reflector diameter	D	111 -0.2	4.37 -0.01	D	70.0 ±0.2	2.75 ±0.08
	D <sub>1</sub>	102.5 ±0.3	4.04 +0.01	D <sub>1</sub>	59.76	23.53
Thickness of refl. edge	V	9.5 +0.5	0.37 +0.02	V	1.2	0.05
	H	2.5 -0.7	0.98 -0.03			
Dim. of ceramic holder	S <sub>1</sub> x S <sub>2</sub>	25 x 32	9.84 x 1.26			
Distance of contact strips	F	53.2 ±1	2.09 +0.04			

### Footcandle

