

AR70 and AR111

Low Voltage Halogen Lamps



SYLVANIA AR lamps are outstanding low voltage halogen light sources that produce an unparalleled beam of controlled light. The high precision aluminum reflectors contain a low-pressure halogen light source made with UV-stop quartz. The result of this capsule construction is that the lamps do not require shielding.*

The combination of an axial filament capsule, a computer designed reflector and a cap to eliminate capsule glare creates a lamp with exceptional performance: High center beam candle power values; a smooth, even beam; and a clear, sharp cutoff.

Key Features & Benefits

- Unparalleled beam performance
- Aluminum reflectors
- 3000-hour average rated life
- UV-stop capsule
- Tightly controlled beam with sharp cut-off
- Suitable for use without shielding*

*SYLVANIA does not require lamp containment shielding.
Consult most recent UL standards for luminaire requirements.

Product Offering

| Product | Beam Angle |
|---------------------------------|------------------------------------|
| AR70 (20 Watt & 50 Watt) | Spot 8°, Flood 25° |
| AR111 | |
| 35 Watt – 6 Volt | Super Spot 4° |
| 35 Watt | Super Spot 4°, Spot 8°, Flood 25° |
| 50 Watt | Super Spot 4°, Spot 8°, Flood 25° |
| 75 Watt | Spot 8°, Flood 25° |
| 100 Watt | Spot 8°, Flood 25°, Wide Flood 45° |

Fixture Availability

AR111

| | | |
|--------|-------------|-----------|
| Belfer | Kramer | Rojey |
| Capri | Kurt Versen | Staff |
| CSL | Lightolier | Translite |
| Flos | LSI | |
| Kirlin | Lumiere | |

AR70

| | | |
|--------------|-------------|-----------|
| Belfer | Kirlin | Omega |
| Capri | Kurt Versen | Rojey |
| Cooper | Lightolier | Staff |
| Edison Price | LSI | Translite |

Application Information

Applications

- Artwork and sculpture
- Atriums
- High-end residential/commercial
- Retail

AR111

- Exceptional beam control
- Fully dimmable
- Socket: G53 (push in or screw terminal)
- Long distance throws (up to 50,000 CBCP)
- Interchangeable with PAR36 in shielded fixtures
- For use in downlight, track and accent fixtures

AR70

- Exceptional beam control
- Fully dimmable
- Socket; BA15D
- Smooth, non scattered beam pattern
- Small profile
- Long distance throws
- For use in downlight, track and accent fixtures



Specification Data

| | |
|-------------|------|
| Catalog # | Type |
| Project | |
| Comments | |
| Prepared by | Date |

Ordering Information

| Item Number | Ordering Abbreviation | Watts | Volts | Base | Average Rated Life (hrs.) | CBCP (cd) | Beam Angle |
|-------------|-----------------------|-------|-------|-------|---------------------------|-----------|------------|
| 59013 | 20AR70/SP8 | 20 | 12 | BA15D | 3,000 | 7,700 | 8° |
| 59012 | 20AR70/FL25 | 20 | 12 | BA15D | 3,000 | 900 | 25° |
| 59017 | 50AR70/SP8 | 50 | 12 | BA15D | 3,000 | 12,500 | 8° |
| 59016 | 50AR70/FL25 | 50 | 12 | BA15D | 3,000 | 2,600 | 25° |
| 55102 | 35AR111/SSP4 | 35 | 12 | G53 | 3,000 | 45,000 | 4° |
| 55110 | 35AR111/SP8 | 35 | 12 | G53 | 3,000 | 14,000 | 8° |
| 55114 | 35AR111/FL25 | 35 | 12 | G53 | 3,000 | 2,500 | 25° |
| 55105 | 50AR111/SSP4 | 50 | 12 | G53 | 3,000 | 50,000 | 4° |
| 55104 | 50AR111/SP8 | 50 | 12 | G53 | 3,000 | 20,000 | 8° |
| 55103 | 50AR111/FL25 | 50 | 12 | G53 | 3,000 | 3,500 | 25° |
| 55125 | 75AR111/SP8 | 75 | 12 | G53 | 3,000 | 30,000 | 8° |
| 55123 | 75AR111/FL25 | 75 | 12 | G53 | 3,000 | 5,300 | 25° |
| 55129 | 100AR111/SP8 | 100 | 12 | G53 | 3,000 | 48,000 | 8° |
| 55127 | 100AR111/FL25 | 100 | 12 | G53 | 3,000 | 8,500 | 25° |
| 55128 | 100AR111/WFL45 | 100 | 12 | G53 | 3,000 | 2,800 | 45° |

Ordering Guide

| 20 | AR | 70 | / | SP | 10 |
|----------------------------------|-----------------------|--------------------------------------|---|--|--------------------------------|
| Wattage 20, 35, 50 75, 100 | Aluminum Reflector | Diameter 70 = 70mm 111 = 111mm | | Beam Spread SSP = Super Spot SP = Spot FL = Flood WFL = Wide Flood | Beam Angle 4° 8° 25° 45° |

Lamp Comparison

| Item Number | Ordering Abbreviation | Watts | Beam Angle | Average Rated Life (hrs.) | CBCP (cd) |
|-------------|---------------------------|-------|------------|---------------------------|-----------|
| 59017 | 50AR70/SP8 | 50 | 8° | 3,000 | 15,000 |
| | Brand X 50ALR18/SP10 | 50 | 10° | 2,000 | 12,000 |
| | Brand X 50PAR20/HAL//SP10 | 50 | 10° | 2,500 | 6,000 |
| 55104 | 50AR111/SP8 | 50 | 8° | 3,000 | 23,000 |
| | Brand X 50PAR36/H//NSP8 | 50 | 8° | 4,000 | 30,000 |
| 55129 | 100AR111/SP8 | 100 | 8° | 3,000 | 48,000 |
| | Brand X 100PAR/H//SP10 | 100 | 10° | 2,000 | 17,000 |

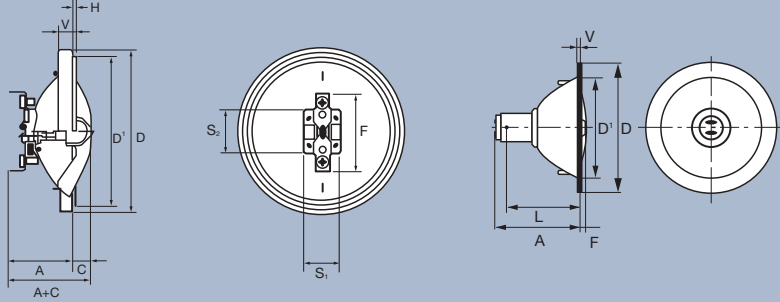
Technical Information

Sample Specification

AR70/AR111

Lamp(s) shall be (a) 12V ____ halogen lamp(s) (AR70, AR111) with a UV-stop capsule, an aluminum reflector and a glare guard (70 or 111-mm diameter). Lamp(s) shall be ____ watts (20, 35, 50, 75 or 100) with a ____ beam spread (4°, 8°, 25° or 45°) or as noted on drawings/schedules. Lamp(s) shall have a ____ Base (BA15D double contact bayonet or G53 push or screw terminal base) and a 3000-hour average rated life.

Dimensions



| | AR111 | mm | inch | AR70 | mm | inch |
|----------------------------|---------------------------------|------------|-------------|----------------|-----------|------------|
| Overall length | A + C | 60 | 2.36 | A + F | 48.5 | 1.91 |
| Projection of grip cap | C | 15 ±0.5 | 0.59 +0.02 | F | 3.0 max. | 0.12 max. |
| Length w/o grip cap | A | 45 ±0.4 | 1.77 +0.02 | A | 45.5 +1 | 1.79 +0.04 |
| Reflector diameter | D | 111 -0.2 | 4.37 -0.01 | D | 70.0 ±0.2 | 2.75 ±0.08 |
| | D ₁ | 102.5 ±0.3 | 4.04 +0.01 | D ₁ | 59.76 | 23.53 |
| Thickness of refl. edge | V | 9.5 +0.5 | 0.37 +0.02 | V | 1.2 | 0.05 |
| | H | 2.5 -0.7 | 0.98 -0.03 | | | |
| Dim. of ceramic holder | S ₁ x S ₂ | 25 x 32 | 9.84 x 1.26 | | | |
| Distance of contact strips | F | 53.2 ±1 | 2.09 +0.04 | | | |

Footcandle

