

Minuteman 5™

LED Retrofit Kit + Housing For Shoebox Area Light

Contains LED Retrofit Kit and LED Lighting Housing



Made In USA



AC Electronics LED Retrofit Kit + Housing vs. Standard HID Lights

Wall Pack Light Source	Input Wattage	Lifespan Hrs/Yrs	Energy Use (24hrs/day) Annual	Annual Cost (maintenance + electricity) @ \$0.11/kWh	Electrical Cost Savings
HID	250	24,000/ 2.7	2190 kWh	\$240.90	
LED	91	50,000/ 5.7	799 kWh	\$87.88	64%

LED Retrofit Kit:
CFL16100/.7/50



+ LED Lighting Housing



Minuteman 5™ LED Retrofit Kit + Housing AC816/100/700



Model Number AC816/100/700

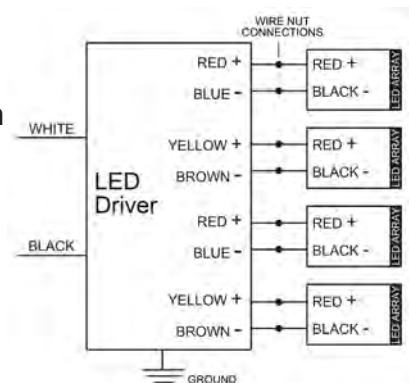
— Includes Housing —

Includes:

- Four-Output Channel, Class 2 LED Driver, Model Number: AC-Q25C700UVH
- 4 PCB LED Arrays with 40 Cree XP-G2 LEDs mounted to industrial grade aluminum LED Driver bracket

(10 LEDs per array)

Wiring Diagram



Warranty

LED Retrofit Kit + Housing warranty is only valid when it is used in a fixture it was designed for unless otherwise approved in writing by AC Electronics. Any other use in any fixture assembly or use with non-AC specified or supplied components will void this warranty.

*AC warrants to the purchaser that this LED Retrofit Kit + Housing will be free from defects in material or workmanship for a period of 5 years from date of manufacture, when operated at a maximum ambient temperature of 110°F or 45°C, when properly installed and under normal conditions of use. See www.aceleds.com for complete warranty policy.

Specifications

Item	Specification
Input Voltage	120-277V, 50/60 Hz
Fixture CRI	74
Fixture Color Temperature	4890K
Fixture Lumens	7973
Fixture Efficacy	87.5 lumen per watt
Lumen Maintenance	≥85% @ 5 years
Zonal Lumen Requirements	0-90°; =100% 80-90°; ≤10%
Warranty	5 years*
LED Quantity (Brand: Cree XP-G2)	40
LED TMP Temperature @ 25°C	86.7°C
Input Power	91W
Driver Efficiency	83%
Power Factor @ 277V	0.93
THD @ 277V	6.5%
Driver TMP @ 25°C ambient	66.4°C
Noise	<24dB
EMI	FCC part 15
Max Operating Temperature	45°C Ambient
Min Operation Temperature	-40°C Ambient
LED Retrofit Kit Dimensions / Assembled Fixture Dimensions /	16" H X 16.5" W X 17.0" D / 6.69" H X 16.6" W X 17.0" D



Note: LM79 and ies files are available upon request.

Tork® 2107 Photocell

Approved For Use With AC LED Retrofit Kits

- 120/277V 1800 VA Ballast Load
- 1 To 5 FC Turn On Light Level
- 3 To 15 FC Turn Off Light Level
- SPST Switch
- 16 AWG 6 Inch Wire Lead Terminal
- Temperature Rating -40 to 140°F
- 1/2" Conduit Mounting
- Not included, available from secondary sources

