

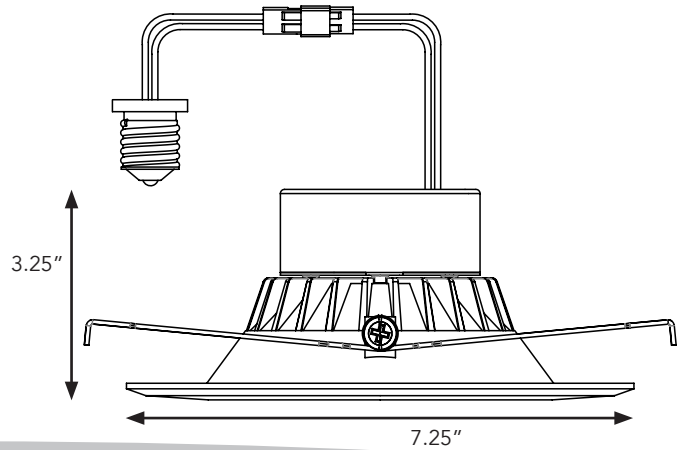
**RECESSED
CAN
RETROFITS**
5 - 6"

BENEFITS

- Up to 80% more efficient than incandescent bulbs
- Longer life and lower maintenance costs
- Dimmable when used with approved dimming switch
- Mercury and Lead free, as well as UV and IR free
- Instant on to full brightness
- Includes ceiling gasket and E26 adapter
- Wet location rated

SPECIFICATIONS

EQUIVALENT	+75W R30/R40
AVERAGE RATED LIFE	25,000 hrs
HOUSING	Aluminum
BASE (?)	E26 Medium
POWER	120V
LENS	Frosted Polycarbonate
BEAM	100°
COLOR (K)	2700, 4000


DIMMER COMPATIBILITY*

Lutron: MACL-153M, LGCL-153PLH, TAL06P-C1-K-L, TGCL-153PH, AYCL-153P, DVCL-153P, DVSCCL-153P, SCL-153P, MSCL-OP153M, CTCL-153P, TTCL-100, SELV-300P, DVELV-300P **Cooper:** ASPIRE-9573, DEVINE-DLC03P, SKYE-SLC03P, SAL06P, AAL06-C1-K-L, DAL06P-C1-K-L

*The listed dimmers have been tested and proven to work under limited laboratory conditions. All possible electrical conditions cannot be accurately simulated, and therefore some discrepancy may exist.

APPLICATION INFORMATION

Applications	Market Segments
— 5-6" Recessed Can	— Residential
	— Hospitality
	— Office
	— Retail

Application Notes

1. Operating temperature range between -20°C and +45°C (-4°F and +113°F)
2. UL approved for wet locations

This device complies with Part 15 of the FCC rules and has been tested and found to comply with the limits for a Class B digital device. These limits are designed to provide reasonable protection against harmful interference in a residential installation. This equipment uses and can radiate radio frequency energy and, if not installed and used in accordance with the instructions, may cause harmful interference to radio communications. Any changes or modifications not expressly approved by the manufacturer could void the user's authority to operate the equipment.

CERTIFICATIONS

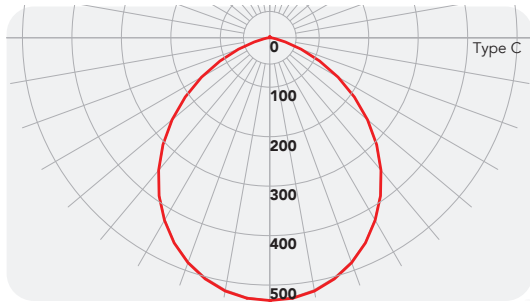

LM79 reports and IES files are available upon request.



Based on 12 hours of use per day.

Order Code	Part Number	Wattage (W)	Base	Replaces	Voltage (V)	CCT ¹	Typical Lumens ²	CRI ³	Dim	Beam	Weight (lbs)	Case Quantity
K9L7	LIF-DL-6-1200-120-W-R-27	16	E26	75W R30/40	120	2700K	1200	86	Yes	100°	1.2	6
K9L8	LIF-DL-6-1200-120-W-R-40	16	E26	75W R30/40	120	4000K	1200	84	Yes	100°	1.2	6

1. Thermally stable typical CCT (±10%) 2. Thermally stable typical lumens (±10%) 3. CRI - Color Rendering Index



Lamp=1,227.99 lm
 Max=531.1 cd
 Power=16 W
 Multiplier=1.22799
 Degrees=0

-123x-123x0 mm