



Compact designs, unlimited possibilities

e-Vision Low Wattage 20-150W

Low frequency electronic HID ballasts such as the Philips Advance e-Vision line constantly measure and adjust the wattage, optimizing delivery of the ceramic lamps' superior color properties. This makes ceramic metal halide operated by e-Vision ballasts the premier choice for many applications previously illuminated by either tungsten halogen or incandescent sources, such as retail lighting.

Benefits

- Constant lamp wattage for optimal color control and maximum performance
- Significant energy savings can be achieved when compared to incandescent or magnetic alternatives

Features

- Low frequency lamp operation
- Intellivolt 120-277V input range
- Metallic enclosures for optimal thermal dissipation
- Smaller and lighter weight than magnetic HID ballasts
- Thermally protected, internally fused, and output short circuit protected with Lamp End-of-Life shutdown

Application

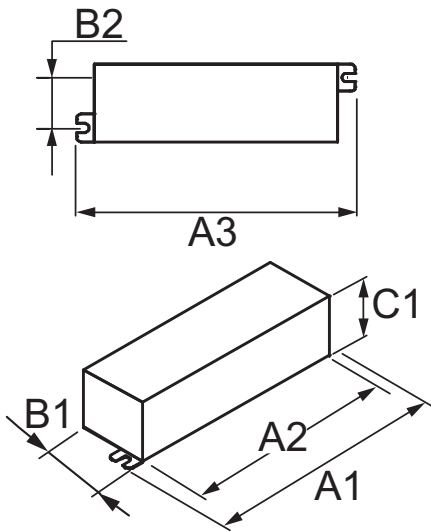
- Retail display and accent lighting in both track and downlights, lobbies, atriums, landscape and façade lighting

PHILIPS

Related products

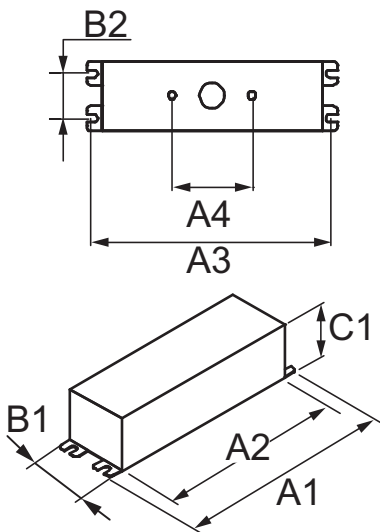


Dimensional drawing



E-VISION ELE MH BAL 39W M130 120V

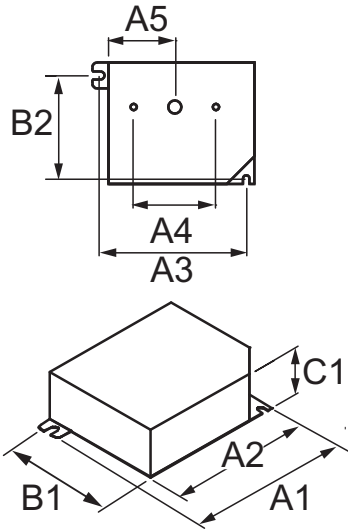
Product	A1 (Norm)	A2 (Norm)	A3 (Norm)	A4 (Norm)	A5 (Norm)	B1 (Norm)	B2 (Norm)	C1 (Norm)
ELE MH BAL 39W M130 120V	4.4	4.1	4.5	-	-	1.1	0.5	1.2
ELE MH BAL 39W M130 120V	4.4	4.1	4.5	-	-	1.1	0.5	1.2
ELE MH BAL 20W M175 120V	4.4	4.1	4.5	-	-	1.1	0.5	1.2
ELE MH BAL 39WM130/ M179 120V 50/60HZ	4.4	4.1	4.5	-	-	1.1	0.5	1.2
ELE MH BAL 20W M175 120V	4.4	4.1	4.5	-	-	1.1	0.5	1.2
ELE MH BAL 39W C130 120-277V 50/60HZ	4.4	4.1	4.5	-	-	1.1	0.5	1.2
ELE MH BAL 39W C130 120-277V 50/60HZ	4.4	4.1	4.5	-	-	1.1	0.5	1.2
ELE MH BAL 39W C130 120-277V 50/60HZ	4.4	4.1	4.5	-	-	1.1	0.5	1.2
ELE MH BAL 50W C193 120-277V 50/60HZ	4.4	4.1	4.5	-	-	1.1	0.5	1.2
ELE MH BAL 50W C193 120-277V 50/60HZ	4.4	4.1	4.5	-	-	1.1	0.5	1.2
ELE MH BAL 50W C193 120-277V 50/60HZ	4.4	4.1	4.5	-	-	1.1	0.5	1.2
ELE MH BAL 20W C156 120-277V 50/60HZ	4.4	4.1	4.5	-	-	1.1	0.5	1.2
ELE MH BAL 20W C156 120-277V 50/60HZ	4.4	4.1	4.5	-	-	1.1	0.5	1.2
ELE MH BAL 20W C156 120-277V 50/60HZ	4.4	4.1	4.5	-	-	1.1	0.5	1.2



E-VISION ELE MH BAL 50W C193 120-277V 50/60HZ

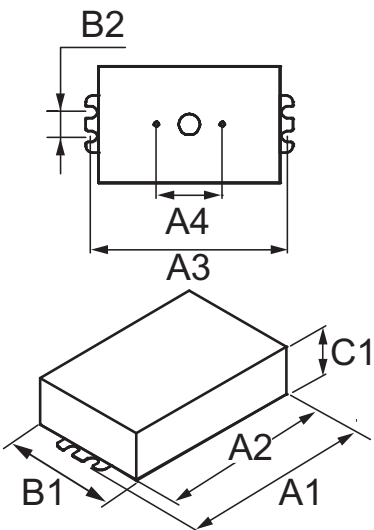
Dimensional drawing

Product	A1 (Norm)	A2 (Norm)	A3 (Norm)	A4 (Norm)	A5 (Norm)	B1 (Norm)	B2 (Norm)	C1 (Norm)
ELE MH BAL 50W C193 120-277V 50/60HZ	5.5	5.0	5.3	2.0	-	1.7	1.0	1.2
ELE MH BAL 20W M156 120-277V 50/60HZ	5.5	5.0	5.3	2.0	-	1.7	1.0	1.2
ELE MH BAL 39W M130/C130 120-277 50/60HZ	5.5	5.0	5.3	2.0	-	1.7	1.0	1.2
ELE MH BAL 70W M98/139/143 120-277V	5.5	5.0	5.3	2.0	-	1.7	1.0	1.2



E-VISION ELE MH BAL 50W C193 120-277V 50/60HZ

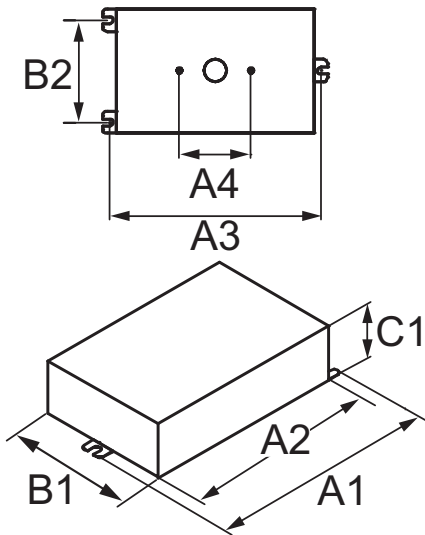
Product	A1 (Norm)	A2 (Norm)	A3 (Norm)	A4 (Norm)	A5 (Norm)	B1 (Norm)	B2 (Norm)	C1 (Norm)
ELE MH BAL 50W C193 120-277V 50/60HZ	3.8	3.5	3.4	2.0	1.13	3.0	2.6	1.2
ELE MH BAL 50W C193 120-277V 50/60HZ	3.8	3.5	3.4	2.0	1.13	3.0	2.6	1.2
ELE MH BAL 39W M130 120-277 50/60HZ	3.8	3.5	3.4	2.0	1.13	3.0	2.6	1.2
ELE MH BAL 39W M130 120-277 50/60HZ	3.8	3.5	3.4	2.0	1.13	3.0	2.6	1.2
ELE MH BAL 70W M139/M143 120-277 50/60HZ	3.8	3.5	3.4	2.0	1.13	3.0	2.6	1.2
ELE MH BAL 70W M139/M143 120-277 50/60HZ	3.8	3.5	3.4	2.0	1.13	3.0	2.6	1.2
ELE MH BAL 39W C179 120-277 50/60HZ	3.8	3.5	3.4	2.0	1.13	3.0	2.6	1.2
ELE MH BAL 39W C179 120-277 50/60HZ	3.8	3.5	3.4	2.0	1.13	3.0	2.6	1.2
ELE MH BAL 20W M156 120-277V 50/60HZ	3.8	3.5	3.4	2.0	1.13	3.0	2.6	1.2
ELE MH BAL 20W M156 120-277V 50/60HZ	3.8	3.5	3.4	2.0	1.13	3.0	2.6	1.2



Dimensional drawing

E-VISION ELE MH BAL 70W M139/M143 120-277 50/60HZ

Product	A1 (Norm)	A2 (Norm)	A3 (Norm)	A4 (Norm)	A5 (Norm)	B1 (Norm)	B2 (Norm)	C1 (Norm)
ELE MH BAL 70W M139/M143 120-277 50/60HZ	5.0	4.3	4.6	2.0	-	3.0	0.7	1.5
ELE MH BAL 70W M139/M143 120-277 50/60HZ	5.0	4.3	4.6	2.0	-	3.0	0.7	1.5
ELE MH BAL 100W M140 120-277 50/60HZ	5.0	4.3	4.6	2.0	-	3.0	0.7	1.5



E-VISION ELE MH BAL 2X39W M130 120-277 50/60HZ

Product	A1 (Norm)	A2 (Norm)	A3 (Norm)	A4 (Norm)	A5 (Norm)	B1 (Norm)	B2 (Norm)	C1 (Norm)
ELE MH BAL 2X39W M130 120-277 50/60HZ	5.5	4.7	5.2	2.0	-	3.6	2.9	1.5
ELE MH BAL 2X39W M130 120-277 50/60HZ	5.5	4.7	5.2	2.0	-	3.6	2.9	1.5
ELE MH BAL 150W M102/142 120-277V	6.3	5.7	6.0	2.0	-	3.6	2.9	1.5
ELE MH BAL 150W M102/142 120-277V	6.3	5.7	6.0	2.0	-	3.6	2.9	1.5
ELE MH BAL 70W M139/143 120-277V ID OUT	5.5	4.7	5.2	2.0	-	3.6	2.9	1.5
ELE MH BAL 39W M130 120-277V ID OUT	5.5	4.7	5.2	2.0	-	3.6	2.9	1.5
ELE MH BAL 100W M140 120-277V ID OUT	5.5	4.7	5.2	2.0	-	3.6	2.9	1.5
ELE MH BAL 100W M140 120-277 50/60HZ	5.5	4.7	5.2	2.0	-	3.6	2.9	1.5

General Characteristics

Product number	Full product name	Lamp Type	Number of Lamps	Input Voltage	Line Frequency	Housing	Product number	Full product name	Lamp Type	Number of Lamps	Input Voltage	Line Frequency	Housing
RMH39KLFMS	ELE MH BAL 39W M130 120V	39W MH	1 piece	120 V	50/60 Hz	K	RMH20KBLMS	ELE MH BAL 20W M175 120V	22W Philips Mini MC	1 piece	120 V	50/60 Hz	K
RMH39KLFM	ELE MH BAL 39W M130 120V	39W MH	1 piece	120 V	50/60 Hz	K	IMH39KBLMS	ELE MH BAL 39W C130 120-277V 50/60HZ	39W MH	1 piece	120-277 V	50/60 Hz	K
RMH20KLFM	ELE MH BAL 20W M175 120V	22W Philips Mini MC	1 piece	120 V	50/60 Hz	K	IMH39KLFM	ELE MH BAL 39W C130 120-277V 50/60HZ	39W MH	1 piece	120-277 V	50/60 Hz	K
RMH39KBLMS	ELE MH BAL 39WM130/ M179 120V 50/60HZ	39W MH	1 piece	120 V	50/60 Hz	K							

Product number	Full product name	Lamp Type	Number of Lamps	Input Voltage	Line Frequency	Housing	Product number	Full product name	Lamp Type	Number of Lamps	Input Voltage	Line Frequency	Housing
IMH39KLFM	ELE MH BAL 39W C130 120-277V 50/60HZ	39W MH	1 piece	120-277 V	50/60 Hz	K	IMHG20GLFM	ELE MH BAL 20W M156 120-277V 50/60HZ	20W MH	1 piece	120-277 V	50/60 Hz	G
IMH50KBLM	ELE MH BAL 50W C193 120-277V 50/60HZ	50W MH	1 piece	120-277 V	50/60 Hz	K	IMHG20GBLSM	ELE MH BAL 20W M156 120-277V 50/60HZ	20W MH	1 piece	120-277 V	50/60 Hz	G
IMH50KLFM	ELE MH BAL 50W C193 120-277V 50/60HZ	50W MH	1 piece	120-277 V	50/60 Hz	K	IMH50ELFM	ELE MH BAL 50W C193 120-277V 50/60HZ	50W MH	1 piece	120-277 V	50/60 Hz	E
IMH50KLFM	ELE MH BAL 50W C193 120-277V 50/60HZ	50W MH	1 piece	120-277 V	50/60 Hz	K	IMHG20ELFM	ELE MH BAL 20W M156 120-277V 50/60HZ	20W MH	1 piece	120-277 V	50/60 Hz	E
IMHG20KBLM	ELE MH BAL 20W C156 120-277V 50/60HZ	20W MH	1 piece	120-277 V	50/60 Hz	K	IMH39ELFM	ELE MH BAL 39W M130/ C130 120-277 50/60HZ	39W MH	1 piece	120-277 V	50/60 Hz	E
IMHG20KLFM	ELE MH BAL 20W C156 120-277V 50/60HZ	20W MH	1 piece	120-277 V	50/60 Hz	K	IMH70ELFM	ELE MH BAL 70W M98/139/143 120-277V	70W MH	1 piece	120-277 V	50/60 Hz	E
IMHG20KLFM	ELE MH BAL 20W C156 120-277V 50/60HZ	20W MH	1 piece	120-277 V	50/60 Hz	K	IMH70DLFM	ELE MH BAL 70W M139/ M143 120-277 50/60HZ	70W MH	1 piece	120-277 V	50/60 Hz	D
IMH50GBLSM	ELE MH BAL 50W C193 120-277V 50/60HZ	50W MH	1 piece	120-277 V	50/60 Hz	G	IMH70DBLSM	ELE MH BAL 70W M139/ M143 120-277 50/60HZ	70W MH	1 piece	120-277 V	50/60 Hz	D
IMH50GLFM	ELE MH BAL 50W C193 120-277V 50/60HZ	50W MH	1 piece	120-277 V	50/60 Hz	G	IMH100DBLSM	ELE MH BAL 100W M140 120-277 50/60HZ	100W MH	1 piece	120-277 V	50/60 Hz	D
IMH39GBLSM	ELE MH BAL 39W M130 120-277 50/60HZ	39W MH	1 piece	120-277 V	50/60 Hz	G	IMH150HLFM	ELE MH BAL 150W M102/142 120-277V	150W MH	1 piece	120-277 V	50/60 Hz	H
IMH39GLFM	ELE MH BAL 39W M130 120-277 50/60HZ	39W MH	1 piece	120-277 V	50/60 Hz	G	IMH150HBLM	ELE MH BAL 150W M102/142 120-277V	150W MH	1 piece	120-277 V	50/60 Hz	H
IMH70GBLSM	ELE MH BAL 70W M139/ M143 120-277 50/60HZ	70W MH	1 piece	120-277 V	50/60 Hz	G	IMH239ABLSM	ELE MH BAL 2X39W M130 120-277 50/60HZ	39W MH	2 piece	120-277 V	50/60 Hz	A/B
IMH70GLFM	ELE MH BAL 70W M139/ M143 120-277 50/60HZ	70W MH	1 piece	120-277 V	50/60 Hz	G	IMH239ALFM	ELE MH BAL 2X39W M130 120-277 50/60HZ	39W MH	2 piece	120-277 V	50/60 Hz	A/B
IMHP39GBLSM	ELE MH BAL 39W C179 120-277 50/60HZ	39W Philips Mini MC	1 piece	120-277 V	50/60 Hz	G	IMH70ABLSDIM	ELE MH BAL 70W M139/143 120-277V ID OUT	70W MH	1 piece	120-277 V	50/60 Hz	A/B
IMHP39GLFM	ELE MH BAL 39W C179 120-277 50/60HZ	39W Philips Mini MC	1 piece	120-277 V	50/60 Hz	G							

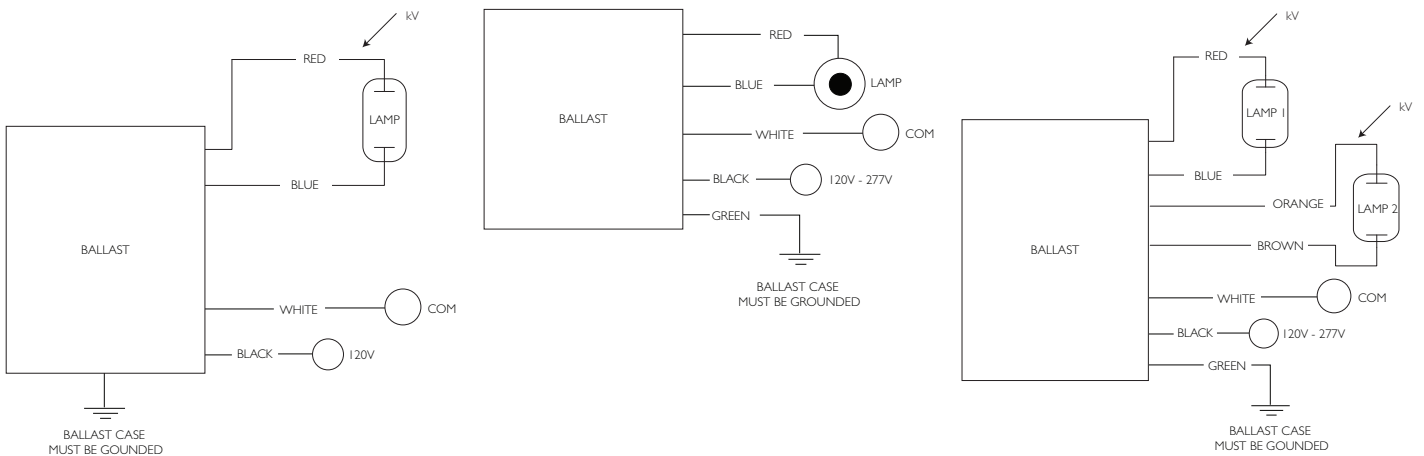
Product number	Full product name	Lamp Type	Number of Lamps	Input Voltage	Line Frequency	Housing	Product number	Full product name	Max THD
IMH39ABLSIDM	ELE MH BAL 39W M130 120-277V ID OUT	39W MH	1 piece	120-277 V	50/60 Hz	A/B	IMHG20KLFMSM	ELE MH BAL 20W C156 120-277V 50/60HZ	15 %
IMH100ABLSIDM	ELE MH BAL 100W M140 120-277V ID OUT	100W MH	1 piece	120-277 V	50/60 Hz	A/B	IMH50GBLSM	ELE MH BAL 50W C193 120-277V 50/60HZ	15 %
IMH100BLFSM	ELE MH BAL 100W M140 120-277 50/60HZ	100W MH	1 piece	120-277 V	50/60 Hz	A/B	IMH50GLFSM	ELE MH BAL 50W C193 120-277V 50/60HZ	15 %
							IMH39GBLSM	ELE MH BAL 39W M130 120-277 50/60HZ	15 %
							IMH39GLFSM	ELE MH BAL 39W M130 120-277 50/60HZ	15 %
							IMH70GBLSM	ELE MH BAL 70W M139/M143 120-277 50/60HZ	15 %
							IMH70GLFSM	ELE MH BAL 70W M139/M143 120-277 50/60HZ	15 %
							IMHP39GBLSM	ELE MH BAL 39W C179 120-277 50/60HZ	15 %
							IMHP39GLFSM	ELE MH BAL 39W C179 120-277 50/60HZ	15 %
							IMHG20GLFSM	ELE MH BAL 20W M156 120-277V 50/60HZ	15 %
							IMHG20GBLSM	ELE MH BAL 20W M156 120-277V 50/60HZ	15 %
							IMH50ELFSM	ELE MH BAL 50W C193 120-277V 50/60HZ	15 %
							IMHG20ELFSM	ELE MH BAL 20W M156 120-277V 50/60HZ	15 %
							IMH39ELFSM	ELE MH BAL 39W M130/C130 120-277 50/60HZ	15 %
							IMH70ELFSM	ELE MH BAL 70W M98/139/143 120-277V	15 %
							IMH70DLFSM	ELE MH BAL 70W M139/M143 120-277 50/60HZ	15 %
							IMH70DBLSM	ELE MH BAL 70W M139/M143 120-277 50/60HZ	15 %
							IMH100DBLSM	ELE MH BAL 100W M140 120-277 50/60HZ	15 %
							IMH150HLFSM	ELE MH BAL 150W M102/142 120-277V	15 %
							IMH150HBLSM	ELE MH BAL 150W M102/142 120-277V	15 %
							IMH239ABLSM	ELE MH BAL 2X39W M130 120-277 50/60HZ	15 %
							IMH239ALFSM	ELE MH BAL 2X39W M130 120-277 50/60HZ	15 %
							IMH70ABLSIDM	ELE MH BAL 70W M139/143 120-277V ID OUT	15 %
							IMH39ABLSIDM	ELE MH BAL 39W M130 120-277V ID OUT	15 %
							IMH100ABLSIDM	ELE MH BAL 100W M140 120-277V ID OUT	15 %
							IMH100BLFSM	ELE MH BAL 100W M140 120-277 50/60HZ	15 %

Operating Characteristics

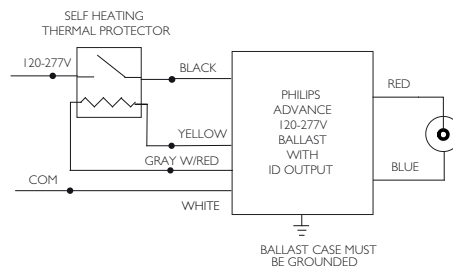
Product number	Full product name	Max THD
RMH39KLFMSM	ELE MH BAL 39W M130 120V	15 %
RMH39KLFM	ELE MH BAL 39W M130 120V	15 %
RMH20KLFM	ELE MH BAL 20W M175 120V	15 %
RMH39KBLSM	ELE MH BAL 39WM130/ M179 120V 50/60HZ	15 %
RMH20KBLSM	ELE MH BAL 20W M175 120V	15 %
IMH39KBLSM	ELE MH BAL 39W C130 120-277V 50/60HZ	15 %
IMH39KLFM	ELE MH BAL 39W C130 120-277V 50/60HZ	15 %
IMH39KLFMSM	ELE MH BAL 39W C130 120-277V 50/60HZ	15 %
IMH50KBLSM	ELE MH BAL 50W C193 120-277V 50/60HZ	15 %
IMH50KLFM	ELE MH BAL 50W C193 120-277V 50/60HZ	15 %
IMH50KLFMSM	ELE MH BAL 50W C193 120-277V 50/60HZ	15 %
IMHG20KBLSM	ELE MH BAL 20W C156 120-277V 50/60HZ	15 %
IMHG20KLFM	ELE MH BAL 20W C156 120-277V 50/60HZ	15 %

IMH70DBLSM	ELE MH BAL 70W M139/M143 120-277 50/60HZ	15 %
IMH150HLFSM	ELE MH BAL 150W M102/142 120-277V	15 %
IMH150HBLSM	ELE MH BAL 150W M102/142 120-277V	15 %
IMH239ABLSM	ELE MH BAL 2X39W M130 120-277 50/60HZ	15 %
IMH239ALFSM	ELE MH BAL 2X39W M130 120-277 50/60HZ	15 %
IMH70ABLSIDM	ELE MH BAL 70W M139/143 120-277V ID OUT	15 %
IMH39ABLSIDM	ELE MH BAL 39W M130 120-277V ID OUT	15 %
IMH100ABLSIDM	ELE MH BAL 100W M140 120-277V ID OUT	15 %
IMH100BLFSM	ELE MH BAL 100W M140 120-277 50/60HZ	15 %

Wiring data



Wiring data



© 2014 Koninklijke Philips N.V. (Royal Philips)
All rights reserved.

Specifications are subject to change without notice. Trademarks are the property of Koninklijke Philips N.V. (Royal Philips) or their respective owners.

www.philips.com/lighting

2014, September 26
data subject to change