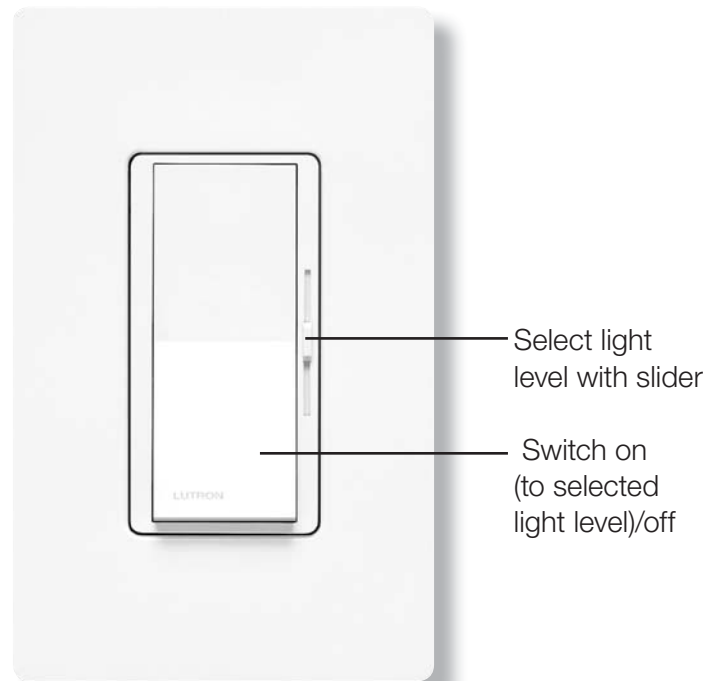


## Diva® 0–10 V Controls

Controls for 0–10 V LED Drivers and Fluorescent Ballasts.

### Features

- Large paddle switch with a captive linear-slide control for a standard designer-opening wallplate
- 0–10 V control link controls third party fixtures
- DVSTV- wires as single pole or 3-way, 120–277 V $\sim$  switch
- DVTV- wires as a 24 V $\equiv$  switch. A Power Pack is required to switch 120–277 V $\sim$  and 347 V $\sim$
- Patented switching technology extends product lifetime
- Coordinating Claro® and Satin Colors® wallplates (available separately)
- High-end and low-end trim user adjustable for optimal performance



Select light level with slider

Switch on (to selected light level)/off

Diva® 0–10 V Control

### Model Numbers

Model Number	Operating Voltage	Wiring	Load Switching Capacity	0–10 V Sink Capacity
DVSTV-XX <sup>1</sup> DVSCSTV-YY <sup>2</sup>	120–277 V $\sim$	Single pole/3-way <sup>3</sup>	8 A	50 mA
DVTV-XX <sup>1</sup> DVSCSTV-YY <sup>2</sup>	24 V $\equiv$	Single pole only	0 A <sup>4</sup>	30 mA

<sup>1</sup> “XX” in the model number represents gloss finish color code. See **Standard Colors and Finishes** on Page 3.

<sup>2</sup> “YY” in the model number represents satin finish color code. See **Standard Colors and Finishes** on Page 3.

<sup>3</sup> For 3-way switching, use Claro® switches or other mechanical switches.

<sup>4</sup> A Lutron® Power Pack (PP-DV or PP-347H) is required for switching ballasts and drivers. For Lutron® Power Pack Specification please see Lutron® P/N 369544.

## Specifications *(continued)*

### DVTV- Models

#### Power

##### Operating Voltage

24 V $\overline{=}$  100 mA

##### Output Ratings

- Power Pack required for load switching. Power Pack is rated for 16 A
- 30 mA maximum output, sink ONLY.

##### 0–10 V Control Link

- 0–10 V control is Class 2
- Controls up to 15 ballasts or drivers (IEC 60929 Annex E.2 requires the ballast/driver to limit the current draw to 2.0 mA maximum)

#### Performance

- For 120-277 V $\sim$  installations switching more than 8 A, use DVTV- with Lutron® Power Pack (model PP-DV; see Lutron® P/N 369544).
- For 347 V $\sim$  installations, use DVTV- with Lutron® Power Pack (model PP-347H; see Lutron® P/N 369544).
- Works with all ballasts and drivers that provide a current source compliant to IEC 60629 Annex E.2.
- Adjustable high-end and low-end trim for optimal dimming performance.
- Power failure memory: should power be interrupted, the 0–10 V $\overline{=}$  signal will return to its previously set level prior to the interruption when power is restored.
- Captive linear slider.
- Precise color matching.

#### Environment

- For Indoor Use Only.
- Ambient operating temperature: 32 °F to 104 °F (0 °C to 40 °C), 0% to 90% humidity.

#### Application Requirements

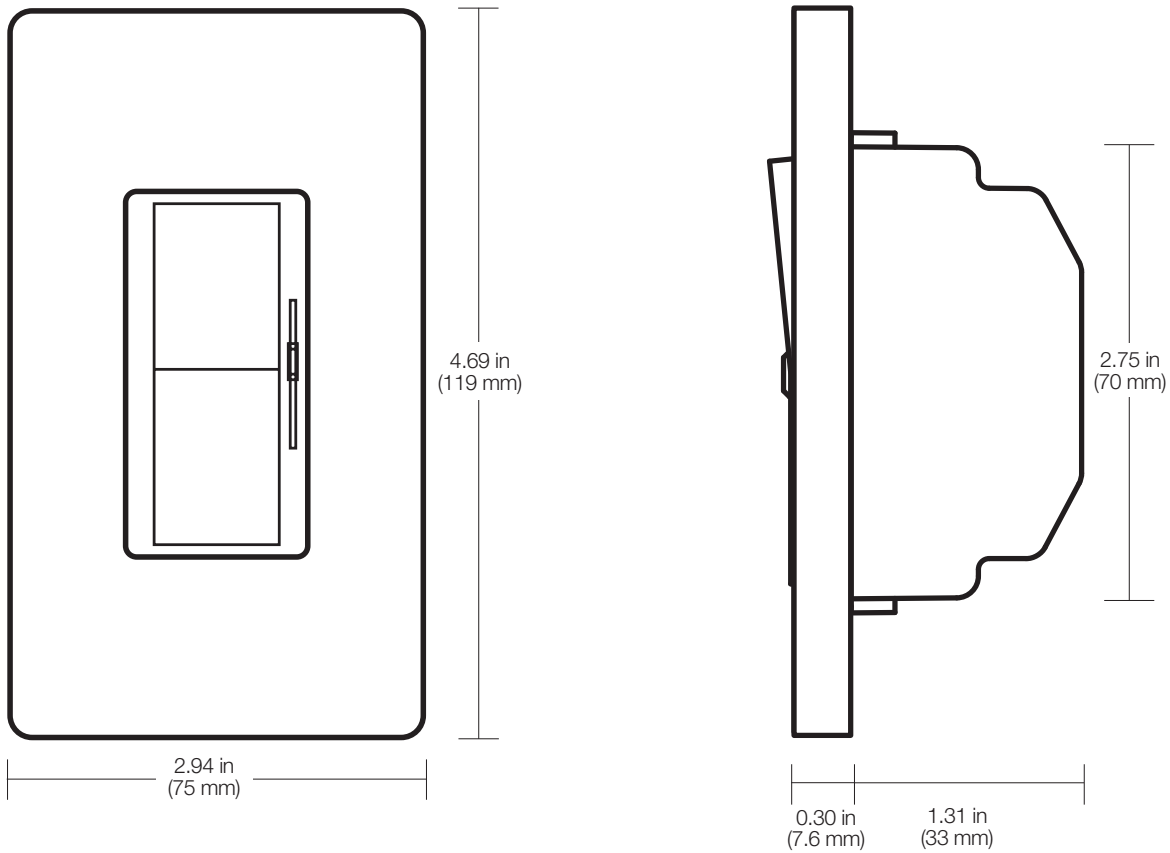
- No derating required if ganged.
- Night light not available.
- Always consult local wiring codes.

#### Warranty

- 1 Year Limited Warranty. For additional Warranty information, please visit [www.lutron.com/TechnicalDocumentLibrary/369-119\\_Wallbox\\_Warranty.pdf](http://www.lutron.com/TechnicalDocumentLibrary/369-119_Wallbox_Warranty.pdf)

<p>Job Name:</p>  <p>Job Number:</p>	<p>Model Numbers:</p>
--	-----------------------

## Dimensions



## Standard Colors and Finishes

### Gloss Finishes

Add color suffix to model #

**Example: DVSTV-WH / DVTV-WH**

WH	White
IV	Ivory
AL	Almond
LA	Light Almond
GR	Gray
BR	Brown
BL	Black

### Satin Colors®

Add color suffix to model #

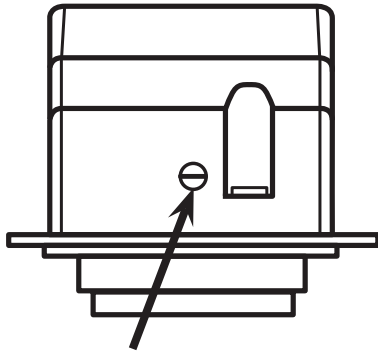
**Example: DVSCSTV-SW / DVSCTV-SW**

HT	Hot	MN	Midnight
MR	Merlot	TC	Terracotta
PL	Plum	SI	Sienna
TQ	Turquoise	GB	Green Briar
SG	Sea Glass	BG	Bluestone
TP	Taupe	MS	Mocha Stone
ES	Eggshell	GS	Goldstone
BI	Biscuit	DS	Desert Stone
SW	Snow	ST	Stone
PD	Palladium	LS	Limestone

# High-End and Low-End Adjustments

## DVSTV- Models

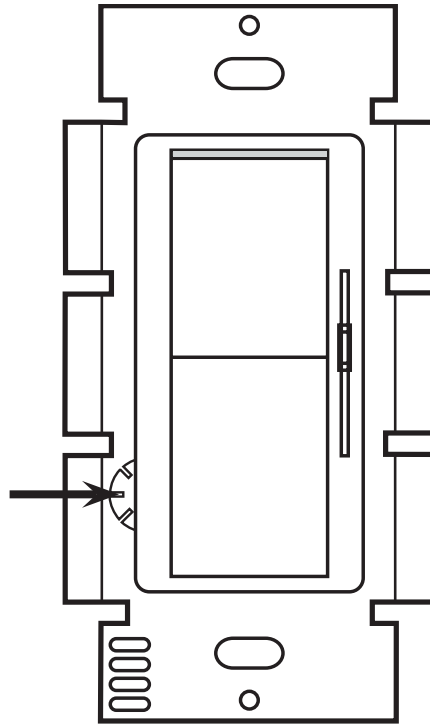
### Bottom View



Maximum Light Level  
(High-End) Trim

## All Models

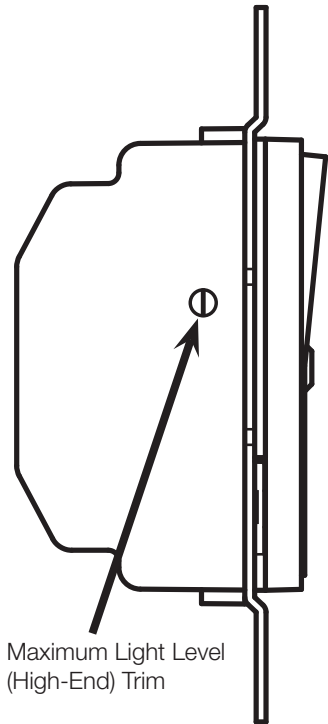
### Front View



Minimum Light Level  
(Low-End) Trim

## DVTV- Models

### Side View

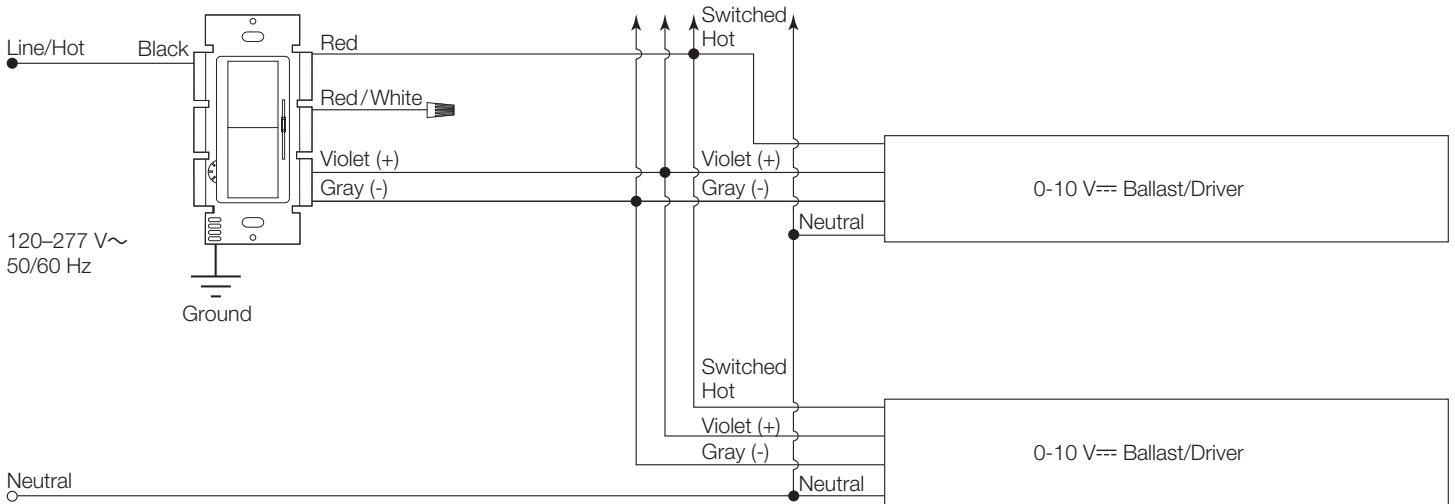


Maximum Light Level  
(High-End) Trim

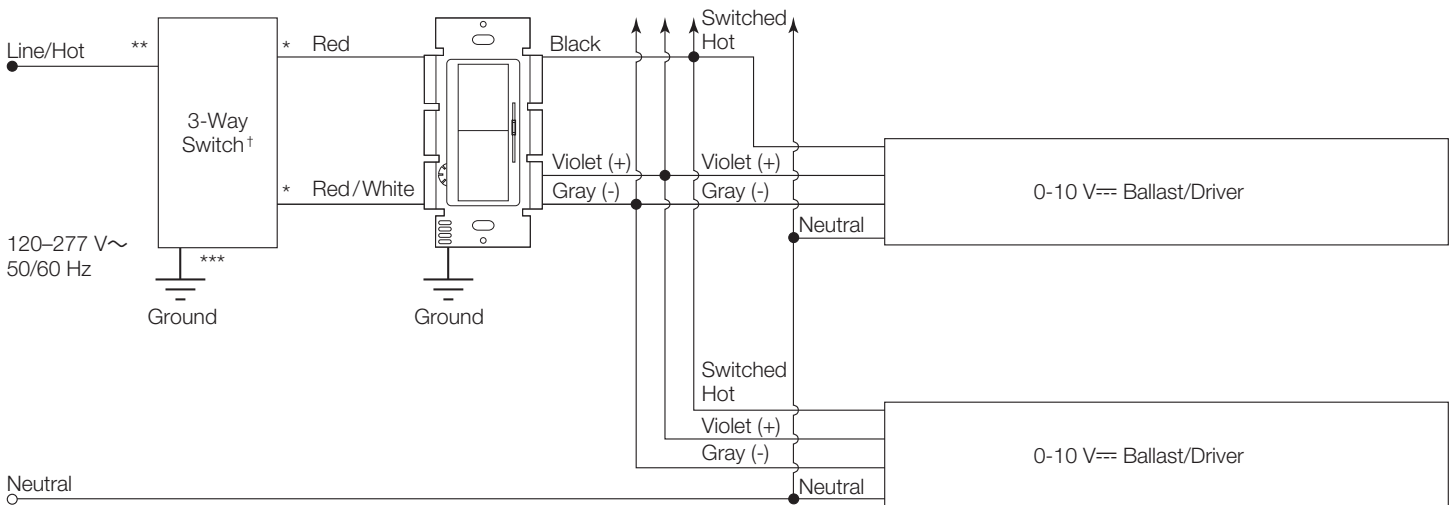
# Wiring Diagrams

## DVSTV- and DVSCSTV-

### Single Pole Wiring



### 3-Way Wiring



\* Copper/Black screw terminal

\*\* Brass/Gold screw terminal

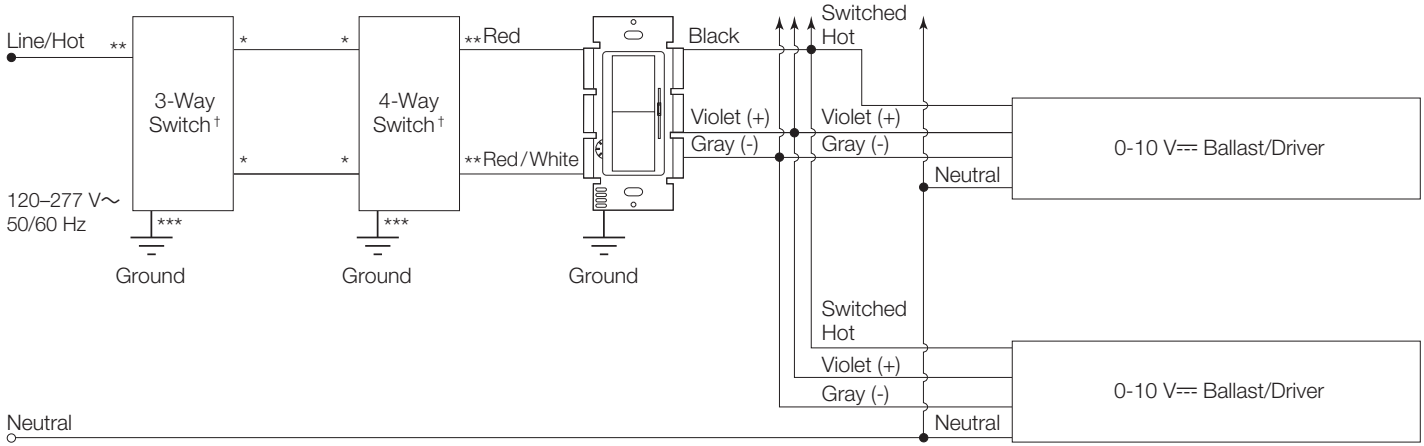
\*\*\* Green screw terminal

† Please refer to installation instructions for 3-Way switch for proper wiring.

# Wiring Diagrams

## DVSTV- and DVSCSTV- (continued)

### 4-Way Wiring



**Note:** For 4-way wiring, control must be installed line side or load side. It cannot be installed in the 4-way location.

\* Copper/Black screw terminal

\*\* Brass/Gold screw terminal

\*\*\* Green screw terminal

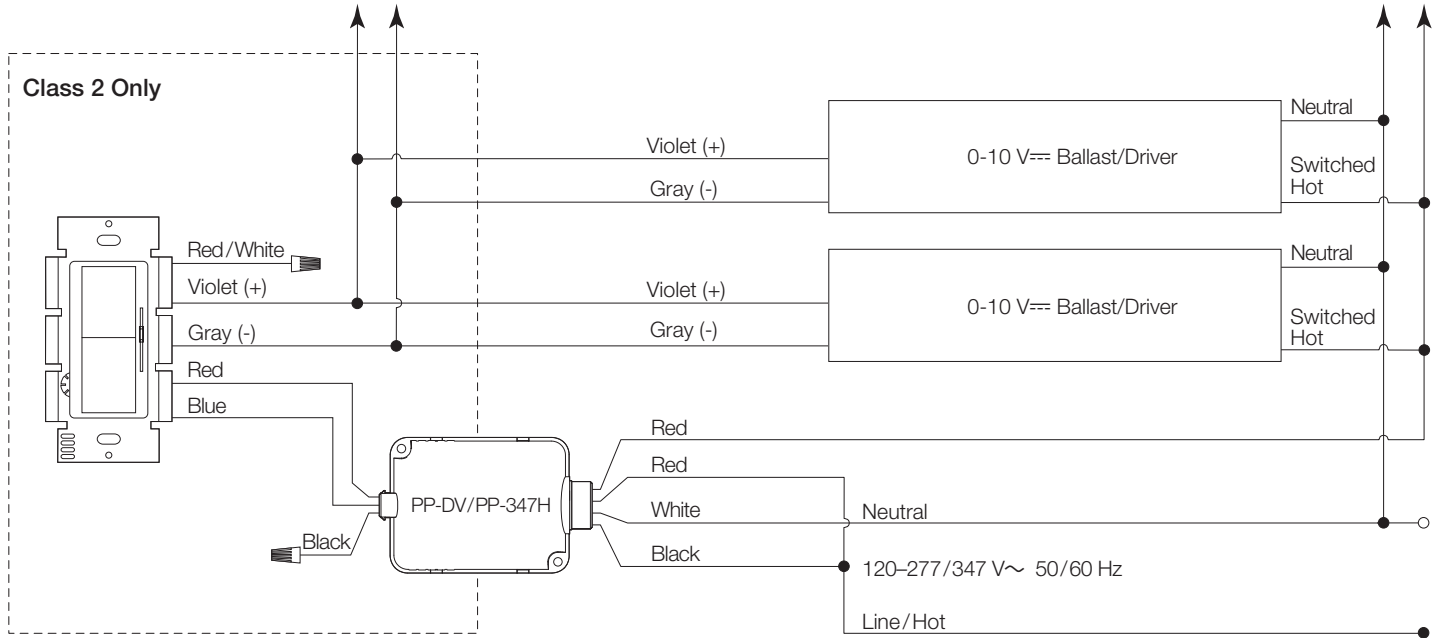
† Please refer to installation instructions for 3-Way/4-Way switch for proper wiring.

# Wiring Diagrams

## DDTV- and DVSCTV-

### Dimming With ON/OFF Control

#### Wiring Diagram Using a Power Pack



### Dimming With ON/OFF Control For Drivers Which Support Dim To OFF Capability

#### Power Wiring Not Shown—See Lighting Device For Wiring

