

SORAA LED PAR 30 LONG NECK 12.5W



OUTPUT RANGE: VIVID SERIES	575-650 lumen; CRI-95, R9>90
OUTPUT RANGE: BRILLIANT SERIES	735-795 lumen; CRI-80
BEAM ANGLE RANGE	8°, 25°, 36°, 50°
COLOR TEMPERATURE RANGE	2700K, 3000K, 4000K, 5000K
APPLICATION	Halogen replacement for indoor & outdoor applications



POINT SOURCE OPTICS

Exceptional beam control enables unique 8° narrow spot and smooth uniform beams

Single light source, single crisp shadow

VP₃ VIVID COLOR AND VP₃ NATURAL WHITE

VIVID series provides accurate color rendering across the visible spectrum from 400nm to 700nm, CRI-95, R9>90

Accurate white rendering based on >70% excitation of Optical Brightening Agents with emission between 400nm & 440 nm

ENERGY EFFICIENCY AND LONG LIFE

85% more energy efficient than standard halogen lamps

Typical payback of one year or less

Rated lifetime of 35,000 hours. Three year warranty

CERTIFICATIONS

UL/CUL Class 2 and non-Class 2, FCC Title 47 Part 15B, RoHS, CE

GENERAL SPECIFICATIONS

Form Factor

Width: 96mm (3.78")

Height: 113mm (4.45")

Weight: 295g

Operating Temperature

Minimum: -40°C (ambient)

Typical: 60°C - 70°C (base)

Maximum: 80°C (base)

Electrical

Wattage: 12.5W

Power factor: 0.95

Voltage: 120V +/- 12V

Dimmable to <10%

Flicker Index < 0.1

Percent Flicker: 31%

HIGHLY COMPATIBLE

Narrow spot compatible with Soraa SNAP System accessories

Thermally and geometrically compatible with standard fixtures

Suitable for fully enclosed fixtures per UL 1993. Can be used with front glass cover

Suitable for damp locations per UL

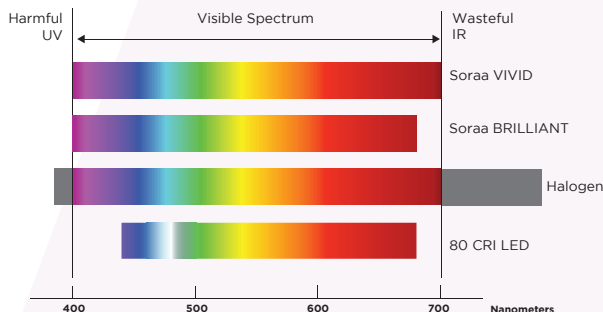
Works with trailing edge and leading edge phase cut dimmers (see www.soraa.com/resources)

INTENDED USE AND APPLICATIONS

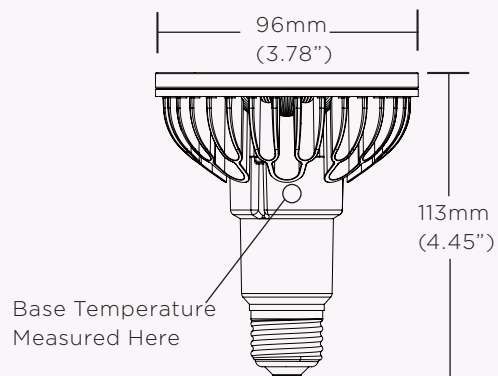
For use in PAR30L compatible recessed downlights, track lighting and other indoor and outdoor applications

Soraa lamps are designed to safely turn down in any thermal environment not conducive to minimum airflow or proper ventilation

COLOR RENDERING



DIMENSIONS

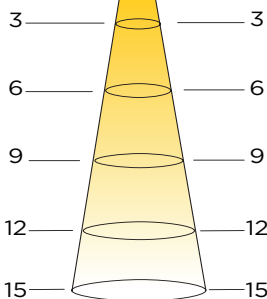


SORAA LED PAR 30 LONG NECK 12.5W

BEAM DIAGRAM

Narrow Spot 8°			Narrow Flood 25°			Distance to Floor (Feet)	Flood 36°			Wide Flood 50°		
Beam Dia at 50% CBCP (ft)	Field Dia at 10% CBCP (ft)	Foot-candles (% of CBCP)	Beam Dia at 50% CBCP (ft)	Field Dia at 10% CBCP (ft)	Foot-candles (% of CBCP)		Beam Dia at 50% CBCP (ft)	Field Dia at 10% CBCP (ft)	Foot-candles (% of CBCP)	Beam Dia at 50% CBCP (ft)	Field Dia at 10% CBCP (ft)	Foot-candles (% of CBCP)
0.4	0.7	11.1%	1.3	2.2	11.1%	3	1.9	3.5	11.1%	2.8	5.0	11.1%
0.8	1.5	2.8%	2.7	4.4	2.8%	6	3.9	6.9	2.8%	5.6	10.1	2.8%
1.3	2.2	1.2%	4.0	6.6	1.2%	9	5.8	10.4	1.2%	8.4	15.1	1.2%
1.7	2.9	0.7%	5.3	8.7	0.7%	12	7.8	13.9	0.7%	11.2	20.1	0.7%
2.1	3.7	0.4%	6.7	10.9	0.4%	15	9.7	17.3	0.4%	14.0	25.2	0.4%

Distance to Floor (Feet)



SPECIFICATIONS BY MODEL NUMBER*

Model Number	Product Code	CCT (K)	Beam Angle (°)	Field Angle (°)	CBCP (cd)	Halogen Equivalent** (Watts)	Total Flux (Lm)	Efficacy (Lm/W)	CRI/R9	White Point (McA)
SORAA VIVID SERIES										
SP30L-12-08D-927-03 ^{SNAP}	01475	2700	8	14	15520	90	575	46	95 / 95	3
SP30L-12-25D-927-03	01477	2700	25	40	3100	75	575	46	95 / 95	3
SP30L-12-36D-927-03	01479	2700	36	60	1420	75	575	46	95 / 95	3
SP30L-12-50D-927-03	01481	2700	50	80	740	75	575	46	95 / 95	3
SP30L-12-08D-930-03 ^{SNAP}	01491	3000	8	14	16740	90	620	50	95 / 95	3
SP30L-12-25D-930-03	01493	3000	25	40	3340	75	620	50	95 / 95	3
SP30L-12-36D-930-03	01495	3000	36	60	1540	75	620	50	95 / 95	3
SP30L-12-50D-930-03	01497	3000	50	80	800	75	620	50	95 / 95	3
SP30L-12-08D-940-03 ^{SNAP}	01507	4000	8	14	17400	90	645	52	95 / 95	4
SP30L-12-25D-940-03	01509	4000	25	40	3480	75	645	52	95 / 95	4
SP30L-12-36D-940-03	01511	4000	36	60	1600	75	645	52	95 / 95	4
SP30L-12-50D-940-03	01513	4000	50	80	820	75	645	52	95 / 95	4
SP30L-12-08D-950-03 ^{SNAP}	01515	5000	8	14	17540	90	650	52	95 / 90	5
SP30L-12-25D-950-03	01517	5000	25	40	3500	75	650	52	95 / 90	5
SP30L-12-36D-950-03	01519	5000	36	60	1620	75	650	52	95 / 90	5
SP30L-12-50D-950-03	01521	5000	50	80	840	75	650	52	95 / 90	5
SORAA BRILLIANT SERIES										
SP30L-12-08D-827-03 ^{SNAP}	01483	2700	8	14	19840	100	735	59	80 / >0	3
SP30L-12-25D-827-03	01485	2700	25	40	3960	90	735	59	80 / >0	3
SP30L-12-36D-827-03	01487	2700	36	60	1820	90	735	59	80 / >0	3
SP30L-12-50D-827-03	01489	2700	50	80	940	90	735	59	80 / >0	3
SP30L-12-08D-830-03 ^{SNAP}	01499	3000	8	14	21460	100	795	64	80 / >0	3
SP30L-12-25D-830-03	01501	3000	25	40	4280	90	795	64	80 / >0	3
SP30L-12-36D-830-03	01503	3000	36	60	1980	90	795	64	80 / >0	3
SP30L-12-50D-830-03	01505	3000	50	80	1020	90	795	64	80 / >0	3

*Specifications are at stable warm operating conditions (25°C ambient) **Energy Star Minimum ^{SNAP}SORAA SNAP System Compatible
 CCT = Correlated Color Temperature CRI = Color Rendering Index (Ra-8) White Point = White Point Accuracy in McA step

SAFETY NOTE ON HEAT

Although Soraa's lamps operate at cooler temperatures than halogen lamps, it is recommended that gloves be worn when handling bare lamps that have been energized.

Information and specifications subject to change. SP30L 12W Rev 1 12.05.14

Soraa Inc. 6500 Kaiser Drive, Suite 110, Fremont, CA 94555
 855 GO-SORAA / 855 467-6722 www.soraa.com