



BALLAST SPECIFICATION

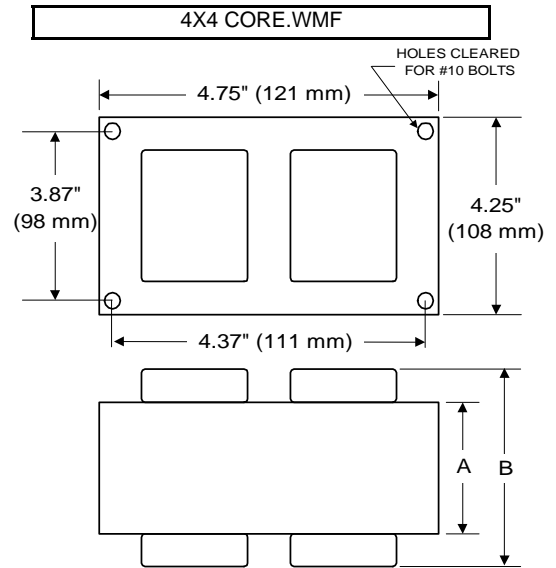
575W M178

Pulse Start Metal Halide

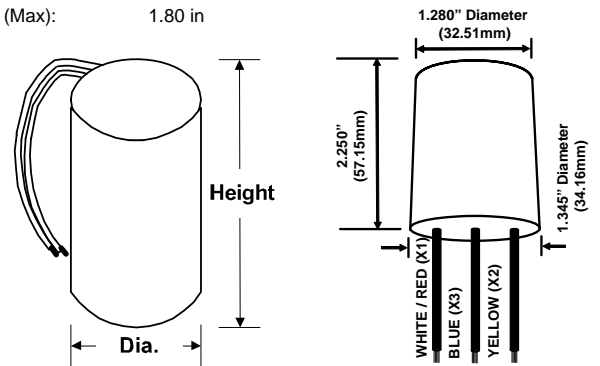
V90Y5510T

60 Hz CWA C&C

Input Volts	480
Line Current (Amps)	
Operating	1.40
Open Circuit	0.60
Starting	1.30
Recommended Fuse (Amps)	4
Regulation	
Line Volts	±10%
Lamp Watts	±9%
Temperature Ratings	
Insulation Class	180 (H)
Coil Temperature Code	D
Benchtop Coil Rise	89.3
Power Factor (Min) HPF	90
Input Watts	640 W
Efficiency	89%
NOM. Open Circuit Voltage	275
Input Voltage At Lamp Dropout	265
Min Ambient Starting Temp	-20°F/-30°C*
60 HZ TEST PROCEDURES	
High Potential Test (Volts)	
1 Minute	2,000 V
1 Second	2,400 V
Open Circuit Voltage Test (V)	250 - 300
Short Circuit Current Test (A)	
Secondary Current	Min 5.30
	Max 6.40
Input Current	Min 1.00
	Max 1.55
CORE and COIL Specifications	
Dimension (A)	2.90 in
Dimension (B)	4.95 in
Weight	15.5 lb's
Lead Lengths	12"
Capacitor Requirement	
Microfarads	38.0 uf
Volts (Min)	330 V



Capacitor:	ACG312	Ignitor:	BVS-041
Microfarads:	38.0 uf	Case Temp (Max):	105 °C
Volts (Max):	330 V	BTL Distance (Max):	2 ft
Case Temp (Max):	100 °C		
Height (Max):	4.68 in		
Dia (Max):	1.80 in		



Dry Type Capacitor with Leads

Ordering Information Add Suffix for options

- C - With Dry Capacitor
- CB - With Dry Capacitor and Welded Bracket
- B - With Welded Bracket, no Capacitor
- K - Prewired, with Dry Capacitor and Bracket Kit

* -40°F/-40°C Min Ambient Starting Temp with Venture Lamp

Data is based upon tests performed by Venture Lighting in a controlled environment and is representative of relative performance. Actual performance can vary depending on operating conditions. Specifications are subject to change without notice.

2/4/2011 Production Coil material: primary Al and secondary Cu

