

# SORAA LED PAR 30 SHORT NECK 12.5W



OUTPUT RANGE: VIVID SERIES	575-650 lumen; CRI-95, R9>90
OUTPUT RANGE: BRILLIANT SERIES	735-795 lumen; CRI-80
BEAM ANGLE RANGE	8°, 25°, 36°, 50°
COLOR TEMPERATURE RANGE	2700K, 3000K, 4000K, 5000K
APPLICATION	Halogen replacement for indoor & outdoor applications



## POINT SOURCE OPTICS

Exceptional beam control enables unique 8° narrow spot and smooth uniform beams

Single light source, single crisp shadow

## VP<sub>3</sub> VIVID COLOR AND VP<sub>3</sub> NATURAL WHITE

VIVID series provides accurate color rendering across the visible spectrum from 400nm to 700nm, CRI-95, R9>90

Accurate white rendering based on >70% excitation of Optical Brightening Agents with emission between 400nm & 440 nm

## ENERGY EFFICIENCY AND LONG LIFE

85% more energy efficient than standard halogen lamps

Typical payback of one year or less

Rated lifetime of 35,000 hours. Three year warranty

## CERTIFICATIONS

UL/CUL Class 2 and non-Class 2, FCC Title 47 Part 15B, RoHS, CE

## HIGHLY COMPATIBLE

Narrow spot compatible with Soraa SNAP System accessories

Thermally and geometrically compatible with standard fixtures

Suitable for fully enclosed fixtures per UL 1993. Can be used with front glass cover

Suitable for damp locations per UL

Works with trailing edge and leading edge phase cut dimmers (see [www.soraa.com/resources](http://www.soraa.com/resources))

## INTENDED USE AND APPLICATIONS

For use in PAR30L compatible recessed downlights, track lighting and other indoor and outdoor applications

Soraa lamps are designed to safely turn down in any thermal environment not conducive to minimum airflow or proper ventilation

## GENERAL SPECIFICATIONS

### Form Factor

Width: 96mm (3.78")

Height: 82mm (3.23")

Weight: 295g

### Operating Temperature

Minimum: -40°C (ambient)

Typical: 60°C - 70°C (base)

Maximum: 80°C (base)

### Electrical

Wattage: 12.5W

Power factor: 0.95

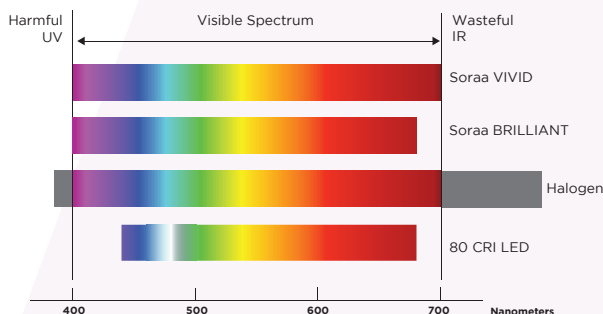
Voltage: 120V +/- 12V

Dimmable to <20%

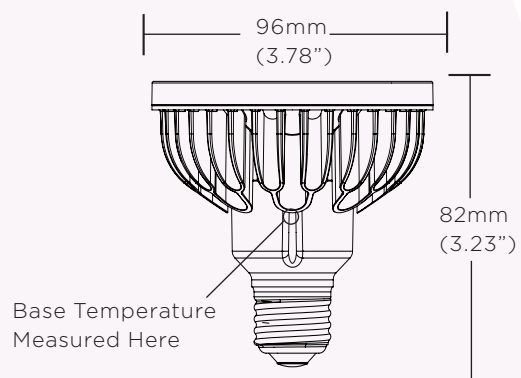
Flicker Index < 0.12

Percent Flicker: 32%

## COLOR RENDERING



## DIMENSIONS



# SORAA LED PAR 30 SHORT NECK 12.5W

## BEAM DIAGRAM

Narrow Spot 8°			Narrow Flood 25°			Distance to Floor (Feet)	Flood 36°			Wide Flood 50°		
Beam Dia at 50% CBCP (ft)	Field Dia at 10% CBCP (ft)	Foot-candles (% of CBCP)	Beam Dia at 50% CBCP (ft)	Field Dia at 10% CBCP (ft)	Foot-candles (% of CBCP)		Beam Dia at 50% CBCP (ft)	Field Dia at 10% CBCP (ft)	Foot-candles (% of CBCP)	Beam Dia at 50% CBCP (ft)	Field Dia at 10% CBCP (ft)	Foot-candles (% of CBCP)
0.4	0.7	11.1%	1.3	2.2	11.1%	3	1.9	3.5	11.1%	2.8	5.0	11.1%
0.8	1.5	2.8%	2.7	4.4	2.8%	6	3.9	6.9	2.8%	5.6	10.1	2.8%
1.3	2.2	1.2%	4.0	6.6	1.2%	9	5.8	10.4	1.2%	8.4	15.1	1.2%
1.7	2.9	0.7%	5.3	8.7	0.7%	12	7.8	13.9	0.7%	11.2	20.1	0.7%
2.1	3.7	0.4%	6.7	10.9	0.4%	15	9.7	17.3	0.4%	14.0	25.2	0.4%

Distance to Floor (Feet)



## SPECIFICATIONS BY MODEL NUMBER\*

Model Number	Product Code	CCT (K)	Beam Angle (°)	Field Angle (°)	CBCP (cd)	Halogen Equivalent** (Watts)	Total Flux (Lm)	Efficacy (Lm/W)	CRI/R9	White Point (McA)
<b>SORAA VIVID SERIES</b>										
SP30S-12-08D-927-03 <sup>SNAP</sup>	01523	2700	8	14	15520	90	575	46	95 / 95	3
SP30S-12-25D-927-03	01525	2700	25	40	3100	75	575	46	95 / 95	3
SP30S-12-36D-927-03	01527	2700	36	60	1420	75	575	46	95 / 95	3
SP30S-12-50D-927-03	01529	2700	50	80	740	75	575	46	95 / 95	3
SP30S-12-08D-930-03 <sup>SNAP</sup>	01539	3000	8	14	16740	90	620	50	95 / 95	3
SP30S-12-25D-930-03	01541	3000	25	40	3340	75	620	50	95 / 95	3
SP30S-12-36D-930-03	01543	3000	36	60	1540	75	620	50	95 / 95	3
SP30S-12-50D-930-03	01545	3000	50	80	800	75	620	50	95 / 95	3
SP30S-12-08D-940-03 <sup>SNAP</sup>	01555	4000	8	14	17400	90	645	52	95 / 95	4
SP30S-12-25D-940-03	01557	4000	25	40	3480	75	645	52	95 / 95	4
SP30S-12-36D-940-03	01559	4000	36	60	1600	75	645	52	95 / 95	4
SP30S-12-50D-940-03	01561	4000	50	80	820	75	645	52	95 / 95	4
SP30S-12-08D-950-03 <sup>SNAP</sup>	01563	5000	8	14	17540	90	650	52	95 / 90	5
SP30S-12-25D-950-03	01565	5000	25	40	3500	75	650	52	95 / 90	5
SP30S-12-36D-950-03	01567	5000	36	60	1620	75	650	52	95 / 90	5
SP30S-12-50D-950-03	01569	5000	50	80	840	75	650	52	95 / 90	5
<b>SORAA BRILLIANT SERIES</b>										
SP30S-12-08D-827-03 <sup>SNAP</sup>	01531	2700	8	14	19840	100	735	59	80 / >0	3
SP30S-12-25D-827-03	01533	2700	25	40	3960	90	735	59	80 / >0	3
SP30S-12-36D-827-03	01535	2700	36	60	1820	90	735	59	80 / >0	3
SP30S-12-50D-827-03	01537	2700	50	80	940	90	735	59	80 / >0	3
SP30S-12-08D-830-03 <sup>SNAP</sup>	01547	3000	8	14	21460	100	795	64	80 / >0	3
SP30S-12-25D-830-03	01549	3000	25	40	4280	90	795	64	80 / >0	3
SP30S-12-36D-830-03	01551	3000	36	60	1980	90	795	64	80 / >0	3
SP30S-12-50D-830-03	01553	3000	50	80	1020	90	795	64	80 / >0	3

\*Specifications are at stable warm operating conditions (25°C ambient) \*\*Energy Star Minimum <sup>SNAP</sup>SORAA SNAP System Compatible  
 CCT = Correlated Color Temperature CRI = Color Rendering Index (Ra-8) White Point = White Point Accuracy in McA step

## SAFETY NOTE ON HEAT

Although Soraa's lamps operate at cooler temperatures than halogen lamps, it is recommended that gloves be worn when handling bare lamps that have been energized.

Information and specifications subject to change. SP30S 12W Rev 1 12.05.14  
**Soraa Inc.**