

DLR4 600 Lumen

4" Recessed LED Downlight

Project _____

Catalog _____

Type _____

Product Description

The DLR4 from NICOR is a 4" recessed LED downlight that is ideal for both retrofit and new construction alike.

Redesigned to boost energy efficiency, the LED light engine draws only 9 watts while improving light output to over 600 lumens. The enriched 90+ CRI provides superior color quality, along with a greater than 60 R9 value. Not only is the light quality better, but this design improvement meets new industry standards like Tilt 24 and CEC making it an ideal solution.

Construction

Spun aluminum trim routes heat away from electrical components
Low profile, integrated driver, allows for use in shallow housings

Optical System

Polystyrene diffuser and reflector cone create a uniform light distribution that reduces glare without sacrificing lumen output

Electrical

Utilizes high performing LG® LEDs with greater than 90 CRI and an R9 greater than 60*
Dimmable to 10% with most standard dimmers
Thermally protected, high efficiency Class 2 driver standard
Operating temperature rating of 0°F to 120°F (-18°C to 49°C)
Input voltage of 120V
Lifetime rated for greater than 60,000 hours
LM-79, LM-80 testing performed in accordance with IESNA standards.

Finish

Exterior white powder coat finish, with interior high reflective finish

Installation

Compatible with most 4" recessed housings
Quick and easy installation with a screw-in Edison base (GU24 socket string available) and mounting clip system

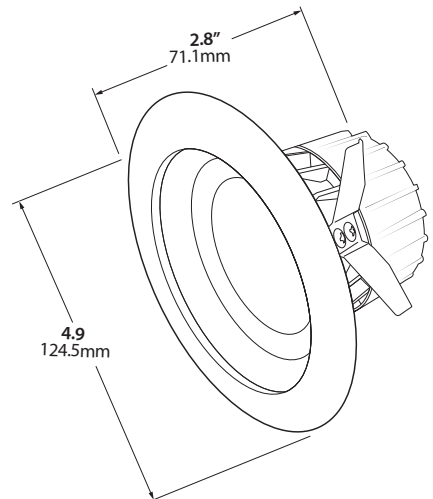
Warranty

5-year limited system warranty standard

*not available in 5000K

PRODUCT INFORMATION

LED Type:	LG® 5630
LED Lifetime (Hrs):	>60,000
Input Voltage (V)	120V
Power Draw (W)	9.1W (3000K)
Fixture Height	2.8 in (71.1mm)
Trim Width:	4.9 in (124.5mm)



Ordering Information Example: DLR4-27-120V-3K-WH

Series	Version	Voltage	CCT's	Trim Color
DLR4	27 (2.7)	120V	2K (2700)	BK (black)*
			3K (3000)	NK (nickel)*
			4K (4000)	OB (oil-rubbed bronze)*
			5K (5000)	WH (white)

*only available in 3000K

Photometric Data

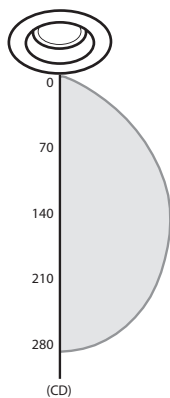
2700K DLR4 600lm*

Luminaire	2700K
Input Voltage (VAC)	120
System Level Power (W)	9.1
Delivered Lumens (Lm)	606
System Efficacy (Lm/W)	66.59
Correlated Color Temp (K)	2664
Color Rendering Index (CRI)	92.6 R9=59

Zonal Lumen Summary**

Zone	Lumens	% of Luminaire
0-30	211	35.28%
0-40	335	55.99%
0-60	540	90.11%
0-90	606	100.00%
90-180	0	0.00%
0-180	606	100.00%

*Integrating sphere data
**Type C Goniophotometer data



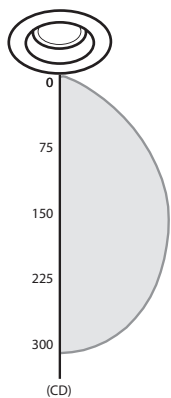
3000K DLR4 600lm*

Luminaire	3000K
Input Voltage (VAC)	120
System Level Power (W)	9.1
Delivered Lumens (Lm)	621
System Efficacy (Lm/W)	68.24
Correlated Color Temp (K)	3142
Color Rendering Index (CRI)	91.3 R9=59

Zonal Lumen Summary**

Zone	Lumens	% of Luminaire
0-30	236	38.61%
0-40	361	59.04%
0-60	541	88.66%
0-90	621	100.00%
90-180	0	0.00%
0-180	621	100.00%

*Integrating sphere data
**Type C Goniophotometer data



4000K DLR4 600lm*

Luminaire	4000K
Input Voltage (VAC)	120
System Level Power (W)	9.1
Delivered Lumens (Lm)	639
System Efficacy (Lm/W)	70.22
Correlated Color Temp (K)	4056
Color Rendering Index (CRI)	91.9 R9=59

Zonal Lumen Summary**

Zone	Lumens	% of Luminaire
0-30	236	36.95%
0-40	368	57.51%
0-60	571	89.39%
0-90	639	100.00%
90-180	0	0.00%
0-180	639	100.00%

*Integrating sphere data
**Type C Goniophotometer data

