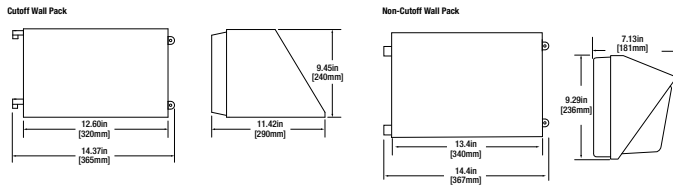


# ProPoint™ Outdoor Luminaires

## LED Wall Pack



### Dimensions



### Product Features

The Wall Pack luminaires improve outdoor illumination with significant energy and maintenance savings. Ideal in place of new and existing traditional luminaires, the Wall Pack series is offered in three levels of LED power for illuminating stairwells, canopies, outdoor walkways and corridors.

ProPoint luminaires assure optimum light engine performance for extended service and rated life (100,000 hours  $L_{70}$ ). These environmentally preferable LED luminaires use up to 76% less energy than traditional lighting. The fixture is also IP66 rated so that a simple hose-down removes the dirt and grime that impedes illumination and jeopardizes pedestrian safety.

### Ordering Guide

Part Number:

<input type="text"/>	<input type="text"/>	<input type="text"/>	<input type="text"/>	<input type="text"/>	<input type="text"/>	<input type="text"/>	<input type="text"/>
<b>TWP</b>	<b>L</b>	<b>XXX</b>	<b>7</b>	<b>40</b>	<b>C5</b>	<b>XXX</b>	<b>BZ</b>
Product Name TWP= Trapezoidal Wall Pack NWP= Non-Cutoff Wall Pack	Lamp Type L=LED	Wattage 030=30 Watts 050=50 Watts 085=85 Watts	CRI 7=70+	Color Temp 40=4000K	Photometric Distribution C5=Cutoff Type V T4=Non-Cutoff Type IV	Voltage UNV=120-277V HUV=347-480V	Finish/ Color BZ= Bronze

Catalog #

Type

Project

Notes

Date

### Specifications

**Weight:** TWP: 15lbs. (6.8kg), NWP: 14lbs (6.4kg)

**Construction:** Luminaire is constructed of a one-piece cast, low-copper (<0.4%CU) aluminum alloy. It has a UV resistant powder coat paint, 2.5 mil nominal thickness. The standard color is bronze.

**LED System:** LED system with a life rating at 100,000 hours at  $L_{70}$ . Luminaire efficacy up to 92 LPW.

**Electrical:** Offered in 30, 50, and 85 Watts, the luminaire is designed to operate through the 120-277 VAC universal voltage range or 347-480 VAC high universal voltage range and includes lightning surge protection in each unit, which is effective in suppressing most transient surges on the AC line. The 0-10V driver is control ready. The LED driver is a constant current device with high power factor correction to maximize power utilization. The driver meets UL1310 and UL48 Class 2 with built-in over temperature protection. The fixture power factor is  $\geq 90\%$  and THD is  $\leq 20\%$ .

**Color Characteristics:** CRI >70; CCT of 4000K

**Optics:** Type V cutoff uses flat tempered glass lens. Type IV non-cutoff uses a borosilicate glass refractor.

**Installation:** Luminaire mounts to recessed outlet box or can be surface mounted. Designed with a hanging bracket feature that allows the luminaire to be suspended during installation, which allows both hands to be free for wiring.

**Operating Temperature:** -40°C to +40°C.

**Listings:** IP66 Certified; UL1310; FCC and RoHS Certified and UL1598 Listed for wet locations in US and Canada, tested in accordance with IEEE C62.41-2002 Category C low (10kV, 5kA); DLC qualified for utility rebates.

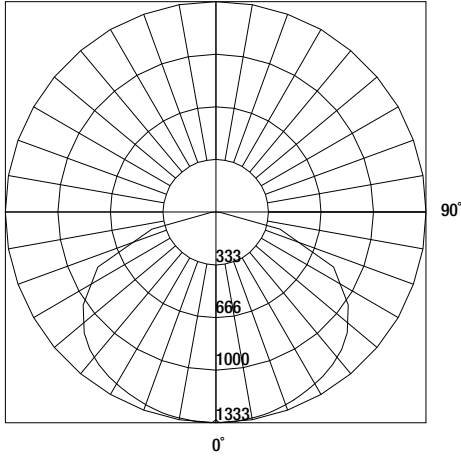
**Warranty:** Standard OSRAM 5-year luminaire warranty (LED152).

**Note:** Specifications subject to change without notice. IES files available online.

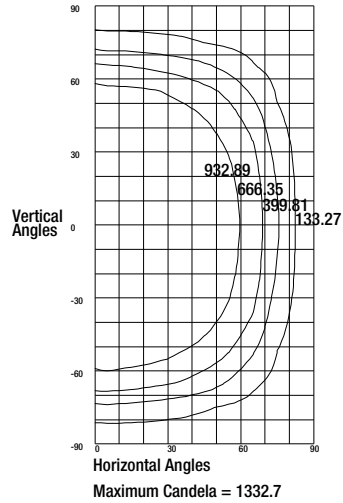


## Photometric Data

ProPoint® Small Wall Pack: 50W, 4000K Type V  
Maximum Candela = 1332.7



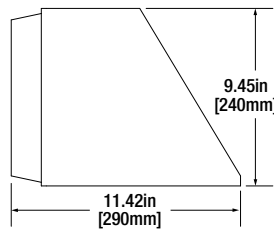
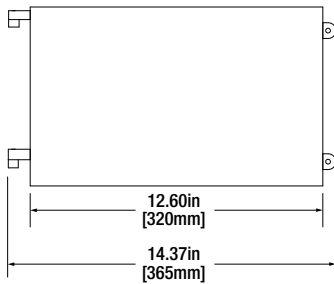
ISOCANDELA CURVES



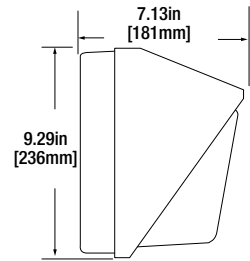
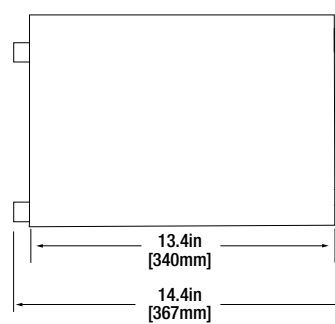
For complete photometric reports or to download IES files, visit [www.osramamericas.com](http://www.osramamericas.com)

## Additional Diagrams/Mounting Details/Performance Comparisons

Cutoff Wall Pack



Non-Cutoff Wall Pack



## Ordering Information

Item Number	Ordering Abbreviation	Power (W)	CRI	Color Temp (CCT)	Distribution	Voltage	Total Fixture Lumens	LPW
71082	TWP/L/030/740/C5/UNV/BZ	30	70+	4000K	Type V Cutoff	120-277V	2800	89
71085	TWP/L/030/740/C5/HUV/BZ	30	70+	4000K	Type V Cutoff	347-480V	2800	89
71083	TWP/L/050/740/C5/UNV/BZ	50	70+	4000K	Type V Cutoff	120-277V	4800	92
71086	TWP/L/050/740/C5/HUV/BZ	50	70+	4000K	Type V Cutoff	347-480V	4800	92
71084	TWP/L/085/740/C5/UNV/BZ	85	70+	4000K	Type V Cutoff	120-277V	7300	84
71087	TWP/L/085/740/C5/HUV/BZ	85	70+	4000K	Type V Cutoff	347-480V	7300	84
72903	NWP/L/030/740/T4/UNV/BZ	30	70+	4000K	Type IV Non-Cutoff	120-277V	2800	89
72906	NWP/L/030/740/T4/HUV/BZ	30	70+	4000K	Type IV Non-Cutoff	347-480V	2800	89
72904	NWP/L/050/740/T4/UNV/BZ	50	70+	4000K	Type IV Non-Cutoff	120-277V	4800	92
72907	NWP/L/050/740/T4/HUV/BZ	50	70+	4000K	Type IV Non-Cutoff	347-480V	4800	92
72905	NWP/L/085/740/T4/UNV/BZ	85	70+	4000K	Type IV Non-Cutoff	120-277V	7300	84
72908	NWP/L/085/740/T4/HUV/BZ	85	70+	4000K	Type IV Non-Cutoff	347-480V	7300	84

OSRAM is a registered trademark of OSRAM GmbH.

ProPoint is a trademark of OSRAM SYLVANIA Inc.

The DesignLights Consortium mark is a registered trademark of DesignLights Consortium.

Specifications subject to change without notice.

[www.sylvania.com](http://www.sylvania.com)  
1-800-LIGHTBULB