

# DLR56

900 Lumen  
5" & 6" Recessed LED Downlight

## Product Description

The DLR56 from NICOR is a 5" & 6" recessed LED downlight that is ideal for both retrofit and new construction alike.

Redesigned to boost energy efficiency, the LED light engine draws only 13 watts while improving light output to over 900 lumens. The enriched 90+ CRI provides superior color quality, along with a greater than 60 R9 value. Not only is the light quality better, but this design improvement meets new industry standards like Title 24 and CEC making it an ideal solution.

### Construction

Spun aluminum trim routes heat away from electrical components  
Low profile, integrated driver, allows for use in shallow housings

### Optical System

Polystyrene diffuser and reflector cone create a uniform light distribution that reduces glare without sacrificing lumen output

### Electrical

Utilizes high performing LG® LEDs with greater than 90 CRI and an R9 greater than 60\*  
Dimmable to 10% with most standard dimmers  
Thermally protected, high efficiency Class 2 driver standard  
Operating temperature rating of 0°F to 120°F (-18°C to 49°C)  
Input voltage of 120V  
Lifetime rated for greater than 60,000 hours  
LM-79, LM-80 testing performed in accordance with IESNA standards.

### Finish

Exterior white powder coat finish, with interior high reflective finish

### Installation

Compatible with most 5" and 6" recessed housings  
Quick and easy installation with a screw-in Edison base (GU24 socket string available) and torsion spring mounting system

### Warranty

5-year limited system warranty standard

\*not available in 5000K

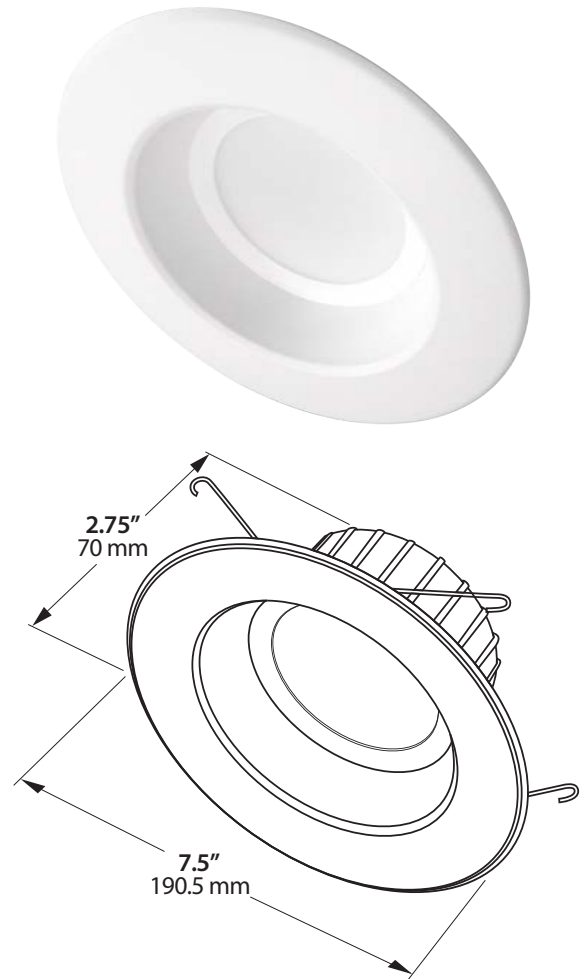
## PRODUCT INFORMATION

LED Type:	LG® 5630
LED Lifetime (Hrs):	>60,000
Input Voltage (V)	120V
Power Draw (W)	13.1W
Fixture Height	2.75" (70 mm)
Trim Width:	7.5" (190.5 mm)

Project

Catalog

Type



## Ordering Information

Example: DLR56-2709-120-3K-WH

Series	Version	Voltage	CCT's	Trim Color
DLR56	2709 (2.7 900lm)	120	2K (2700)	BK (black)*
			3K (3000)	NK (nickel)*
			4K (4000)	OB (oil-rubbed bronze)*
			5K (5000)	WH (white)

Also available in a white baffle trim

\*only available in 3000K

# Photometric Data

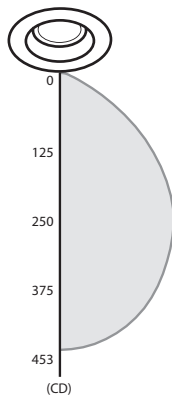
## 2700K DLR56 900lm\*

Luminaire	2700K
Input Voltage (VAC)	120
System Level Power (W)	13.09
Delivered Lumens (Lm)	966
System Efficacy (Lm/W)	73.8
Correlated Color Temp (K)	2669
Color Rendering Index (CRI)	93 R9=59

### Zonal Lumen Summary\*\*

Zone	Lumens	% of Luminaire
0-30	341	35.37%
0-40	544	56.49%
0-60	872	90.57%
0-90	963	100.00%
90-180	0	0.00%
0-180	963	100.00%

\*Integrating sphere data  
\*\*Type C Goniophotometer data



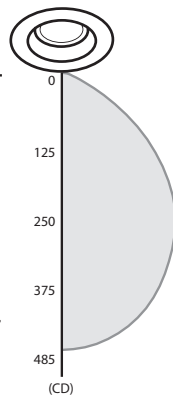
## 3000K DLR56 900lm\*

Luminaire	3000K
Input Voltage (VAC)	120
System Level Power (W)	13.09
Delivered Lumens (Lm)	990
System Efficacy (Lm/W)	75.6
Correlated Color Temp (K)	3074
Color Rendering Index (CRI)	93 R9=59

### Zonal Lumen Summary\*\*

Zone	Lumens	% of Luminaire
0-30	349	35.37%
0-40	558	56.49%
0-60	894	90.57%
0-90	987	100.00%
90-180	0	0.00%
0-180	987	100.00%

\*Integrating sphere data  
\*\*Type C Goniophotometer data



## 4000K DLR56 900lm\*

Luminaire	4000K
Input Voltage (VAC)	120
System Level Power (W)	13.09
Delivered Lumens (Lm)	1019
System Efficacy (Lm/W)	77.8
Correlated Color Temp (K)	4023
Color Rendering Index (CRI)	93 R9=59

### Zonal Lumen Summary\*\*

Zone	Lumens	% of Luminaire
0-30	360	35.37%
0-40	574	56.49%
0-60	920	90.57%
0-90	1016	100.00%
90-180	0	0.00%
0-180	1016	100.00%

\*Integrating sphere data  
\*\*Type C Goniophotometer data

