

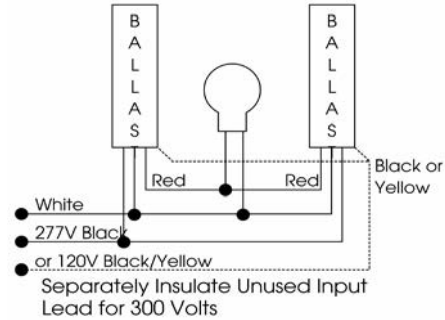
Specification Sheet

Catalog Number: 1111-247SC-TC
Document # : 010-11345- 00
Date: 07/29/2005

400W MERCURY

Lamp Type	400W MH
ANSI Designation	M59 or H33
Line Voltage	120/277
Regulation	±10%
Frequency	60 HZ
Recommended Fuse	10/5
Circuit Type	CWA
Insulation Class	Class A (90°C)
Capacitor Value	INTERNAL
Capacitor Volt Rating	N/A
Capacitor Part Number	N/A
Lamp Starter	INTERNAL

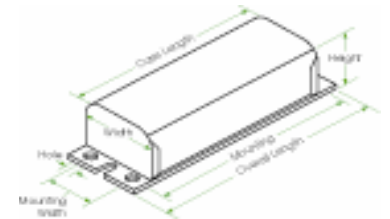
Replaces Catalog #	N/A
Samples Available	Yes
Production Available	YES
Agency Certification	UL/CSA
Maximum Distance to Lamp	N/A



- FEATURES:**
- Thermally protected
 - Enclosed in fluorescent style ballast can
 - Anchor bracket / Tab provided for splice box (SB-4 Not included)

Electrical Characteristics

Line Volt	Power Factor	Line Current in Amps			Input Watts	Open Circuit Volts	Drop Out Volts	Min. Start Temp.	Sound Rating
		Oprtnng	Open	Start					
120	High	3.90	N/A	N/A	460	300	66	-30°C	B
277	High	1.70	N/A	N/A	460	300	152	-30°C	B



Reference Drawing

Physical Characteristics

Overall Dimensions (In.)				Mounting Holes (In.)			Bracket Mntng Dim		Ballast Net Weight	Lead Length Inches
Length	Width	Height	Case Length	Length	Width	Hole	Length	Width		
14.31	3.19	2.63	13.19	13.75	2.00	0.23	-	-	14.00	12-14

For samples, contact your Universal Lighting Technologies Representative.
 Specification and Performance Information Subject to Change without Notification.